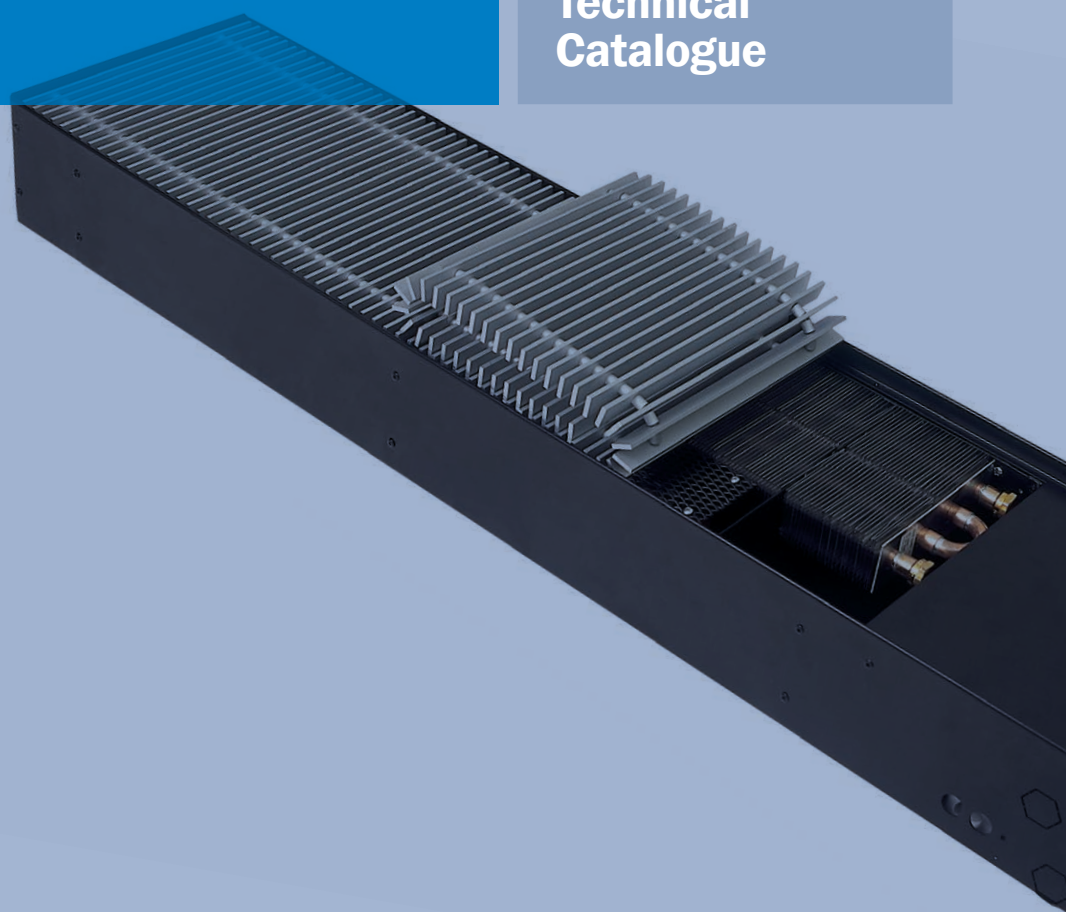


Floor convectors

Technical
Catalogue



Overview

■ Natural convection floor convectors TK-13

TK-13 Natural convection floor convectors principle of operation is natural air convection. They are designed for secondary room heating. Their heating capacities at catalogue conditions range up to 4 kW. They are distinguished for their silent operation.



TK-13

■ Forced convection floor convectors TKV-13

TKV-13 floor convectors principle of operation is forced convection. Natural air circulation is boosted by means of a fan. They are suitable for primary, in applications requiring higher heating capacities, also for secondary heating. Their heating capacities at catalogue conditions range up to 12,8 kW.

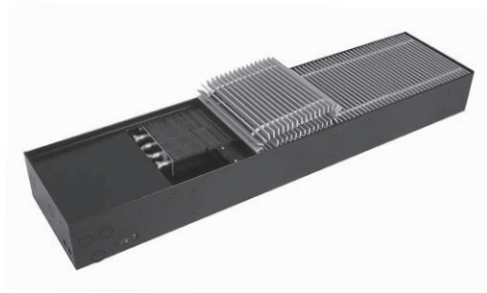
Usually the most appropriate models for installation are those with the housing height of 105 mm. In order to achieve higher heating capacities models with a housing height of 140 mm are available. Models with 80 mm housing height are designed for applications where installation height is lower than 100 mm (for example, renovation of old buildings).



TKV-13

■ Floor convectors for humid conditions with forced or natural convection TKV-S-13, TK-S-13

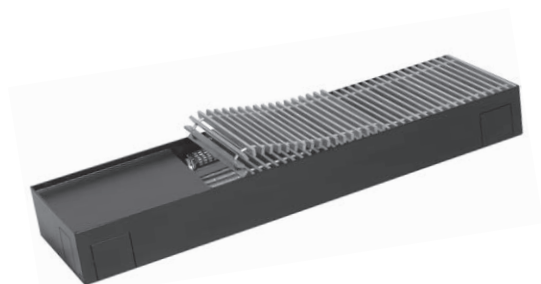
TKV-S-13 and TK-S-13 Floor convectors operate in the same way as the types TKV-13 and TK-13. They are particularly suitable for heating of areas with increased level of humidity such as swimming pools or similar. For safety, a low voltage fan (12 V) is installed in the TKV-S-13 model. Because of the potential ingress of water into the interior of the housing, a collection tray is mounted to collect and drain water. The technical characteristics are the same as the catalogue technical characteristics of the TK-13 and TKV-13 floor convectors of 105 mm height.



TKV-S-13, TK-S-13

■ Cooling and heating floor convectors TKH-13

In summer, the TKH-13 floor convector draws in warm air from the areas around windows or hot walls, cools it in the heat exchanger, and feeds it back into the room. This reduces heat gains due to heat room envelope surfaces. In the cooling process, a part of moisture is extracted from the air; this dehumidification also contributes to thermal comfort. In winter, the TKH-13 floor convector is applied for heating like any other floor convector: it heats cold air from the window area and returns it into the room.



TKH-13

■ Software Klima TK

The package allows the selection of a standard heating floor convector (TK-13, TKV-13, TKH-13) either according to the available space for installation or a specified thermal capacity. Upon the entry of basic parameters the package lists the corresponding convector types, which we can correct or optimize as we want. Further we choose accessories (terad-on grille, control elements,...). Selection program evaluates the technical characteristics and prints the catalogue ordering key.

The end result of selection can also be printed, as the basis for the order.

Content

	Page
GENERAL	4
NATURAL CONVECTION FLOOR CONVECTORS TK-13	6
FORCED CONVECTION FLOOR CONVECTORS TKV-13	19
QUICK OVERVIEW OF FLOOR CONVECTORS TK-13 AND TKV-13	39
FLOOR CONVECTORS FOR HUMID CONDITIONS WITH FORCED OR NATURAL CONVECTION TKV-S-13, TK-S-13	40
COOLING AND HEATING FLOOR CONVECTORS TKH-13	42
EXAMPLES OF FLOOR CONVECTOR CONNECTIONS INTO GROUPS	52
ACCESSORIES	54
Types and colours of tread-on grilles	55
Control accessories - water side	56
Control accessories - air side	57
Other accessories	59
ORDERING KEY	61

General

All measurements of floor convectors for heating and cooling are performed in conformance with European directives and European standards, which prescribes operation and usage of heating and cooling devices.

Heating characteristics of floor convectors for heating (TK-13, TKV-13, TK-S-13, TKV-S-13) have been measured according to european standard EN 442, which precisely prescribes process of definition of nominal Heating capacity by temperature conditions 75 °C, 65 °C, 20 °C.

Laboratory for heat exchangers at Hidria Institute Klima with certified measurement equipment is the sixth suchlike in Europe for measurements of heating characteristics of heating devices and it has to provide repeatability and reparability.

Heating and cooling characteristics of floor convectors for heating and cooling (TKH-13) have been measured according to EUROVENT standard 6/3 under the following conditions:

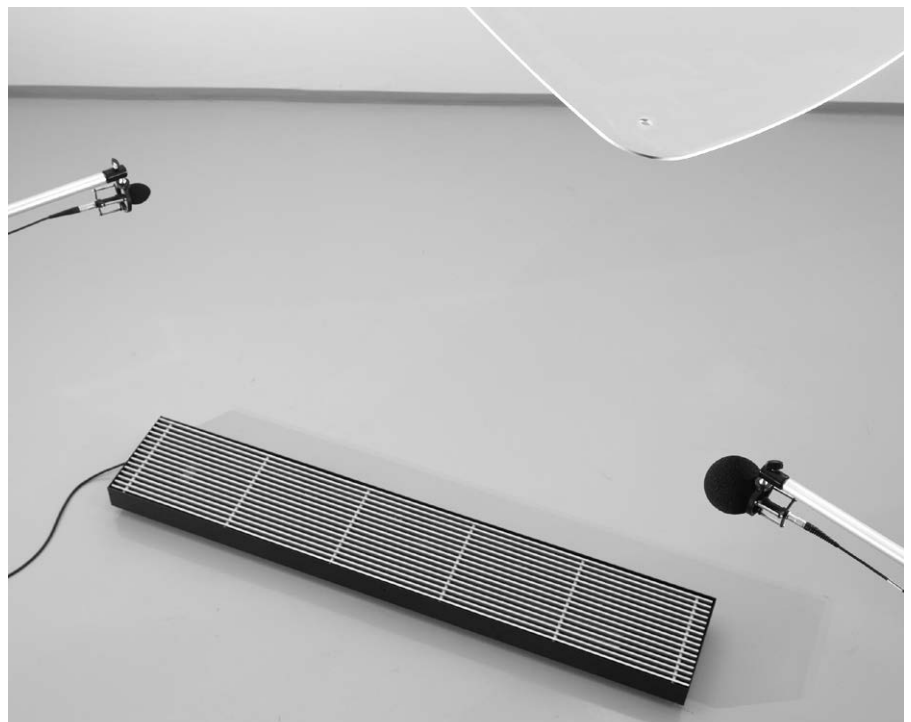
2-pipe systems:

cooling 7 °C / 12 °C / 27 °C / 47 % RH,
heating 50 °C / 20 °C, water flow equal to water flow at cooling

4-pipe systems:

cooling 7 °C / 12 °C / 27 °C / 47 % RH,
heating 70 °C / 60 °C / 20 °C.

Sound power level L_{WA} (dB), A weighted according to IEC 61672 and calculated in accordance with the recommendation of the EN ISO 3741 standard. Sound pressure level L_{pA} (dB), A weighted at certain distance in specific room can be calculated from sound power level data of device.



Benefits

In rooms with large glazing envelope surfaces or cold envelope walls, it is difficult to establish comfortable heating by means of conventional heating bodies only. Temperature differences between the glass surfaces and bulk air temperature lead to cooling of air in the boundary layer along the wall and in turn, to its downwards flow and spreading across the entire room floor area, the result being occupants' discomfort. Especially when outside temperatures drop below 10 °C, it is virtually impossible to maintain occupational comfort in rooms with large surface windows unless auxiliary floor convector heating is used. Floor convectors further prevent condensation build-up on glass, as they maintain a layer of warm humid air adjacent to the glass surfaces. Floor convectors (in particular the forced convection types) also prevent inlet of cold outside air.

Functions

- Room heating (primary or secondary heating),
- Maintenance of uniform air circulation field in the room, and thereby, uniform distribution of heat throughout the room,
- Increasing of cold areas surface temperature,
- Prevention of condensation build-up on glass surfaces,
- Prevention of ingress of cold outside air through big glass surfaces,
- Room cooling (TKH-13 models),
- Heating of areas with increased humidity (TK-S-13, TKV-S-13).

Characteristics

- High quality of material and production,
- High heating and cooling capacities,
- Good sound characteristics,
- Small water content in the heat exchanger and fast heating/cooling of the room,
- Installation into the floor, hence no occupation of the space,
- Installation in humid areas (TK-S-13 and TKV-S-13 models),
- Wide range of control accessories,
- Much flexibility to the needs of the project with specific versions (corner designs, rounded contours, variety of tread-on grilles),
- Easy installation, operation and maintenance.

Pressure and temperature limitation of heat exchanger

- Maximal operating pressure: 11 bar.
- Maximal allowed pressure: 16 bar.
- Maximal water temperature: 110 °C.



Samples of heat exchangers have been tested by an accredited test laboratory.

Natural convection floor convectors TK-13

Application

Natural convection floor convectors are applied basically as secondary heating bodies, in combination with other primary heating bodies (also in combination with TKV-13's serving as primary heating bodies). They are installed to the floor, in the immediate proximity of windows, doors and other cooling surfaces. Recommended distance between floor convector and glass surface is 50-200 mm.

They are used for partial cover heat losses, prevention of condensation on glass surfaces, reduction of the convection effect from cold surfaces and prevention of inlet of cold outside air through doors. Floor convectors with natural convection feature silent operation.

Operation

Natural convection floor convectors apply the principle of natural circulation of air. Cold air enters into the floor convector, warms in the heat exchangers and rises into the room.

TK-13 Components (Basic design)

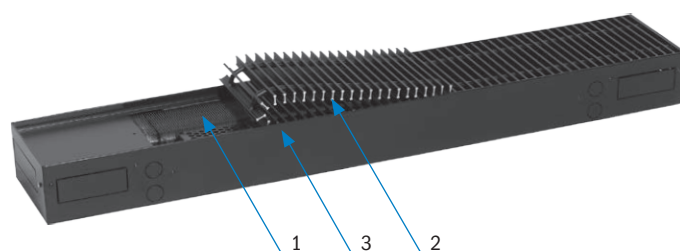
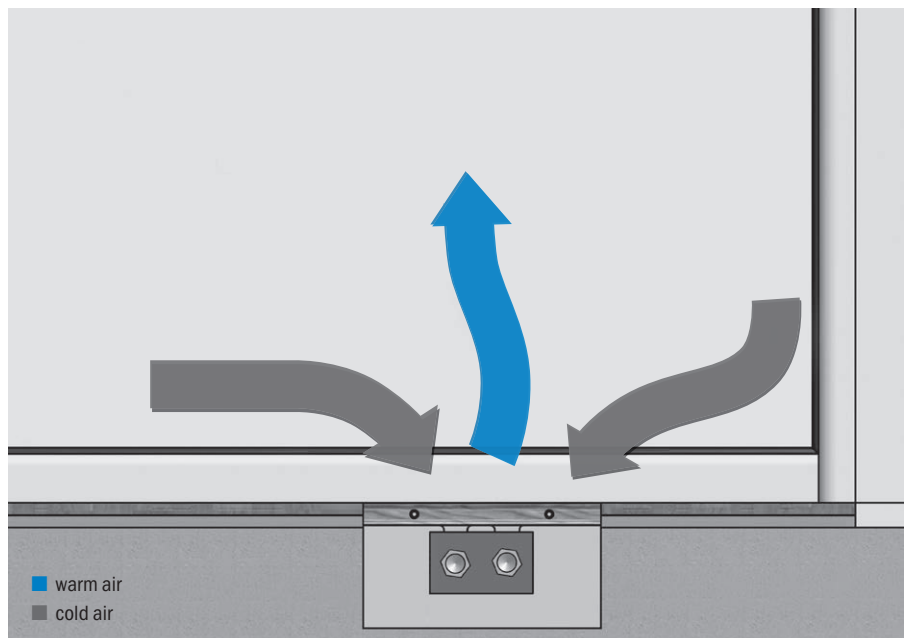
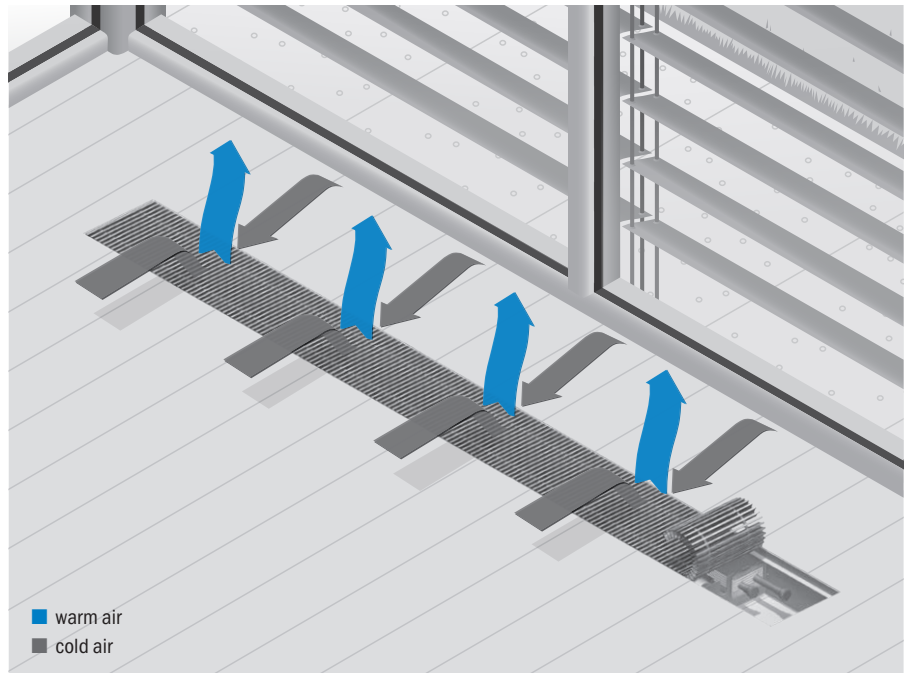
1. Heat exchanger,
2. Tread-on grille,
3. Housing.

Types

TK-13 floor convectors are available in 33 lengths TK-13 from 800 mm to 5000 mm, widths of 200 mm, 300 mm and 400 mm and heights of 70 mm, 105 mm and 140 mm. In the range up to 3000 mm lengths are available in the increments of 100 mm, over 3000 mm lengths are available in the increments of 200 mm.

Control accessories

The basic design has no water side control components. They have to be ordered as options to the basis version (for example: valves O1, ..., VP2).



■ Technical data

TK-13 Lx20x07

Housing length L [mm]	Heating capacity								
	75 °C / 65 °C / 20 °C			70 °C / 55 °C / 20 °C			55 °C / 45 °C / 20 °C		
	Q _h	\dot{m}_w	Δp_w	Q _h	\dot{m}_w	Δp_w	Q _h	\dot{m}_w	Δp_w
	[W]	[kg/h]	[kPa]	[W]	[kg/h]	[kPa]	[W]	[kg/h]	[kPa]
800	91	7,8	< 0,01	67	3,9	< 0,01	39	3,4	< 0,01
900	113	9,8	< 0,01	84	4,8	< 0,01	48	4,2	< 0,01
1000	136	11,7	< 0,01	101	5,8	< 0,01	58	5,0	< 0,01
1100	159	13,7	< 0,01	118	6,8	< 0,01	68	5,9	< 0,01
1200	182	15,6	< 0,01	135	7,7	< 0,01	78	6,7	< 0,01
1300	204	17,6	< 0,01	152	8,7	< 0,01	87	7,5	< 0,01
1400	227	19,5	< 0,01	168	9,7	< 0,01	97	8,4	< 0,01
1500	250	21,5	0,01	185	10,6	< 0,01	107	9,2	< 0,01
1600	273	23,5	0,01	202	11,6	< 0,01	117	10,1	< 0,01
1700	295	25,4	0,01	219	12,6	< 0,01	126	10,9	< 0,01
1800	318	27,4	0,01	236	13,5	< 0,01	136	11,7	< 0,01
1900	341	29,3	0,01	253	14,5	< 0,01	146	12,6	< 0,01
2000	364	31,3	0,02	270	15,5	< 0,01	156	13,4	< 0,01
2100	386	33,2	0,02	287	16,4	< 0,01	165	14,3	< 0,01
2200	409	35,2	0,02	304	17,4	0,01	175	15,1	< 0,01
2300	432	37,1	0,03	320	18,4	0,01	185	15,9	< 0,01
2400	455	39,1	0,03	337	19,4	0,01	195	16,8	0,01
2500	477	41,0	0,03	354	20,3	0,01	204	17,6	0,01
2600	500	43,0	0,04	371	21,3	0,01	214	18,5	0,01
2700	523	45,0	0,04	388	22,3	0,01	224	19,3	0,01
2800	546	46,9	0,05	405	23,2	0,01	234	20,1	0,01
2900	568	48,9	0,06	422	24,2	0,01	244	21,0	0,01
3000	591	50,8	0,06	439	25,2	0,02	253	21,8	0,01
3200	637	54,7	0,08	472	27,1	0,02	273	23,5	0,01
3400	682	58,6	0,10	506	29,0	0,02	292	25,2	0,02
3600	728	62,5	0,12	540	31,0	0,03	312	26,8	0,02
3800	773	66,5	0,14	574	32,9	0,03	331	28,5	0,03
4000	819	70,4	0,17	608	34,8	0,04	351	30,2	0,03
4200	864	74,3	0,20	641	36,8	0,05	370	31,9	0,04
4400	910	78,2	0,23	675	38,7	0,06	390	33,5	0,04
4600	955	82,1	0,27	709	40,6	0,07	409	35,2	0,05
4800	1001	86,0	0,31	743	42,6	0,08	429	36,9	0,06
5000	1046	89,9	0,35	777	44,5	0,09	449	38,6	0,06

Definition of symbols

Q _h [W]	Heating capacity
\dot{m}_w [kg/h]	Water flow
Δp_w [kPa]	Pressure drop on the waterside

TK-13 Lx30x07

Housing length L [mm]	Heating capacity								
	75 °C / 65 °C / 20 °C			70 °C / 55 °C / 20 °C			55 °C / 45 °C / 20 °C		
	Q _h	\dot{m}_w	Δp_w	Q _h	\dot{m}_w	Δp_w	Q _h	\dot{m}_w	Δp_w
	[W]	[kg/h]	[kPa]	[W]	[kg/h]	[kPa]	[W]	[kg/h]	[kPa]
800	158	13,6	< 0,01	120	6,9	< 0,01	73	6,3	< 0,01
900	198	17,0	< 0,01	150	8,6	< 0,01	91	7,9	< 0,01
1000	238	20,4	< 0,01	180	10,4	< 0,01	110	9,5	< 0,01
1100	277	23,9	0,01	211	12,1	< 0,01	128	11,0	< 0,01
1200	317	27,3	0,01	241	13,8	< 0,01	146	12,6	< 0,01
1300	357	30,7	0,02	271	15,5	< 0,01	165	14,2	< 0,01
1400	396	34,1	0,02	301	17,3	0,01	183	15,8	< 0,01
1500	436	37,5	0,03	331	19,0	0,01	201	17,3	0,01
1600	476	40,9	0,04	361	20,7	0,01	220	18,9	0,01
1700	515	44,3	0,05	392	22,5	0,01	238	20,5	0,01
1800	555	47,7	0,06	422	24,2	0,02	256	22,1	0,01
1900	595	51,1	0,07	452	25,9	0,02	275	23,6	0,02
2000	634	54,5	0,09	482	27,6	0,02	293	25,2	0,02
2100	674	57,9	0,11	512	29,4	0,03	311	26,8	0,02
2200	714	61,3	0,13	542	31,1	0,03	330	28,4	0,03
2300	753	64,8	0,15	573	32,8	0,04	348	29,9	0,03
2400	793	68,2	0,18	603	34,6	0,05	366	31,5	0,04
2500	833	71,6	0,20	633	36,3	0,05	385	33,1	0,04
2600	872	75,0	0,23	663	38,0	0,06	403	34,7	0,05
2700	912	78,4	0,27	693	39,7	0,07	421	36,2	0,06
2800	952	81,8	0,30	723	41,5	0,08	440	37,8	0,06
2900	991	85,2	0,34	754	43,2	0,09	458	39,4	0,07
3000	1031	88,6	0,38	784	44,9	0,10	476	41,0	0,08
3200	1110	95,4	0,48	844	48,4	0,12	513	44,1	0,10
3400	1190	102,2	0,59	904	51,8	0,15	550	47,3	0,13
3600	1269	109,1	0,71	965	55,3	0,18	586	50,4	0,15
3800	1348	115,9	0,86	1025	58,7	0,22	623	53,6	0,18
4000	1428	122,7	1,02	1085	62,2	0,26	660	56,7	0,22
4200	1507	129,5	1,19	1146	65,7	0,31	696	59,9	0,25
4400	1586	136,3	1,39	1206	69,1	0,36	733	63,0	0,30
4600	1666	143,1	1,61	1266	72,6	0,41	770	66,2	0,34
4800	1745	150,0	1,85	1327	76,0	0,48	806	69,3	0,40
5000	1824	156,8	2,11	1387	79,5	0,54	843	72,5	0,45

Definition of symbols

Q _h [W]	Heating capacity
\dot{m}_w [kg/h]	Water flow
Δp_w [kPa]	Pressure drop on the waterside

TK-13 Lx40x07

Housing length L [mm]	Heating capacity								
	75 °C / 65 °C / 20 °C			70 °C / 55 °C / 20 °C			55 °C / 45 °C / 20 °C		
	Q _h	\dot{m}_w	Δp_w	Q _h	\dot{m}_w	Δp_w	Q _h	\dot{m}_w	Δp_w
	[W]	[kg/h]	[kPa]	[W]	[kg/h]	[kPa]	[W]	[kg/h]	[kPa]
800	226	19,5	<0,01	173	10,0	<0,01	107	9,3	<0,01
900	283	24,3	0,01	217	12,4	<0,01	134	11,6	<0,01
1000	339	29,2	0,01	260	14,9	<0,01	161	13,9	<0,01
1100	396	34,1	0,02	304	17,4	0,01	188	16,2	0,01
1200	453	38,9	0,03	347	19,9	0,01	215	18,5	0,01
1300	509	43,8	0,05	391	22,4	0,01	242	20,8	0,01
1400	566	48,7	0,07	434	24,9	0,02	269	23,1	0,02
1500	623	53,5	0,09	477	27,4	0,02	296	25,4	0,02
1600	679	58,4	0,12	521	29,9	0,03	323	27,8	0,03
1700	736	63,3	0,15	564	32,4	0,04	350	30,1	0,03
1800	792	68,1	0,18	608	34,8	0,05	376	32,4	0,04
1900	849	73,0	0,23	651	37,3	0,06	403	34,7	0,05
2000	906	77,9	0,27	695	39,8	0,07	430	37,0	0,06
2100	962	82,7	0,33	738	42,3	0,09	457	39,3	0,07
2200	1019	87,6	0,39	782	44,8	0,10	484	41,6	0,09
2300	1076	92,5	0,46	825	47,3	0,12	511	44,0	0,10
2400	1132	97,3	0,53	869	49,8	0,14	538	46,3	0,12
2500	1189	102,2	0,62	912	52,3	0,16	565	48,6	0,14
2600	1246	107,1	0,71	955	54,8	0,19	592	50,9	0,16
2700	1302	111,9	0,81	999	57,2	0,21	619	53,2	0,18
2800	1359	116,8	0,92	1042	59,7	0,24	646	55,5	0,21
2900	1416	121,7	1,04	1086	62,2	0,27	673	57,8	0,23
3000	1472	126,5	1,17	1129	64,7	0,31	700	60,1	0,26
3200	1585	136,3	1,46	1216	69,7	0,38	753	64,8	0,33
3400	1699	146,0	1,79	1303	74,7	0,47	807	69,4	0,41
3600	1812	155,7	2,17	1390	79,6	0,57	861	74,0	0,49
3800	1925	165,5	2,61	1477	84,6	0,68	915	78,7	0,59
4000	2039	175,2	3,09	1564	89,6	0,81	969	83,3	0,70
4200	2152	184,9	3,64	1651	94,6	0,95	1023	87,9	0,82
4400	2265	194,7	4,24	1738	99,6	1,11	1077	92,5	0,96
4600	2378	204,4	4,91	1825	104,5	1,28	1130	97,2	1,11
4800	2492	214,1	5,64	1911	109,5	1,48	1184	101,8	1,27
5000	2605	223,9	6,44	1998	114,5	1,69	1238	106,4	1,46

Definition of symbols

Q _h [W]	Heating capacity
\dot{m}_w [kg/h]	Water flow
Δp_w [kPa]	Pressure drop on the waterside

TK-13 Lx20x10

Housing length L [mm]	Heating capacity								
	75 °C / 65 °C / 20 °C			70 °C / 55 °C / 20 °C			55 °C / 45 °C / 20 °C		
	Q _h	ṁ _w	Δp _w	Q _h	ṁ _w	Δp _w	Q _h	ṁ _w	Δp _w
	[W]	[kg/h]	[kPa]	[W]	[kg/h]	[kPa]	[W]	[kg/h]	[kPa]
800	121	10,4	< 0,01	92	5,3	< 0,01	55	4,8	< 0,01
900	151	13,0	< 0,01	115	6,6	< 0,01	69	6,0	< 0,01
1000	181	15,6	< 0,01	138	7,9	< 0,01	83	7,2	< 0,01
1100	212	18,2	< 0,01	161	9,2	< 0,01	97	8,4	< 0,01
1200	242	20,8	< 0,01	184	10,6	< 0,01	111	9,6	< 0,01
1300	272	23,4	< 0,01	207	11,9	< 0,01	125	10,8	< 0,01
1400	302	26,0	0,01	230	13,2	< 0,01	139	12,0	< 0,01
1500	333	28,6	0,01	253	14,5	< 0,01	153	13,2	< 0,01
1600	363	31,2	0,01	276	15,8	< 0,01	167	14,4	< 0,01
1700	393	33,8	0,01	299	17,1	< 0,01	181	15,6	< 0,01
1800	424	36,4	0,02	322	18,5	< 0,01	195	16,8	< 0,01
1900	454	39,0	0,02	345	19,8	0,01	209	18,0	< 0,01
2000	484	41,6	0,03	368	21,1	0,01	223	19,2	0,01
2100	514	44,2	0,03	391	22,4	0,01	237	20,4	0,01
2200	545	46,8	0,04	414	23,7	0,01	251	21,6	0,01
2300	575	49,4	0,04	437	25,1	0,01	265	22,8	0,01
2400	605	52,1	0,05	460	26,4	0,01	279	24,0	0,01
2500	636	54,7	0,06	483	27,7	0,02	293	25,2	0,01
2600	666	57,3	0,07	506	29,0	0,02	307	26,4	0,01
2700	696	59,9	0,08	529	30,3	0,02	321	27,6	0,02
2800	726	62,5	0,09	552	31,7	0,02	335	28,8	0,02
2900	757	65,1	0,10	575	33,0	0,03	349	30,0	0,02
3000	787	67,7	0,11	598	34,3	0,03	363	31,2	0,02
3200	848	72,9	0,14	644	36,9	0,04	391	33,7	0,03
3400	908	78,1	0,17	690	39,6	0,04	419	36,1	0,04
3600	969	83,3	0,21	736	42,2	0,05	447	38,5	0,04
3800	1029	88,5	0,25	782	44,8	0,06	475	40,9	0,05
4000	1090	93,7	0,30	828	47,5	0,08	503	43,3	0,06
4200	1151	98,9	0,35	874	50,1	0,09	531	45,7	0,08
4400	1211	104,1	0,41	920	52,8	0,11	559	48,1	0,09
4600	1272	109,3	0,47	967	55,4	0,12	587	50,5	0,10
4800	1332	114,5	0,54	1013	58,0	0,14	615	52,9	0,12
5000	1393	119,7	0,62	1059	60,7	0,16	643	55,3	0,13

Definition of symbols

Q _h [W]	Heating capacity
ṁ _w [kg/h]	Water flow
Δp _w [kPa]	Pressure drop on the waterside

TK-13 Lx30x10

Housing length L [mm]	Heating capacity								
	75 °C / 65 °C / 20 °C			70 °C / 55 °C / 20 °C			55 °C / 45 °C / 20 °C		
	Q _h	\dot{m}_w	Δp_w	Q _h	\dot{m}_w	Δp_w	Q _h	\dot{m}_w	Δp_w
	[W]	[kg/h]	[kPa]	[W]	[kg/h]	[kPa]	[W]	[kg/h]	[kPa]
800	202	17,4	<0,01	157	9,0	<0,01	100	8,6	<0,01
900	253	21,8	<0,01	196	11,3	<0,01	125	10,8	<0,01
1000	304	26,1	0,01	236	13,5	<0,01	150	12,9	<0,01
1100	354	30,5	0,01	275	15,8	<0,01	175	15,1	<0,01
1200	405	34,9	0,02	315	18,0	0,01	200	17,2	<0,01
1300	456	39,2	0,03	354	20,3	0,01	225	19,4	0,01
1400	507	43,6	0,04	393	22,6	0,01	250	21,5	0,01
1500	557	47,9	0,05	433	24,8	0,01	275	23,7	0,01
1600	608	52,3	0,06	472	27,1	0,02	300	25,8	0,02
1700	659	56,6	0,08	512	29,3	0,02	325	28,0	0,02
1800	709	61,0	0,10	551	31,6	0,03	350	30,2	0,02
1900	760	65,3	0,12	590	33,8	0,03	375	32,3	0,03
2000	811	69,7	0,15	630	36,1	0,04	401	34,5	0,04
2100	861	74,1	0,18	669	38,4	0,05	426	36,6	0,04
2200	912	78,4	0,21	708	40,6	0,06	451	38,8	0,05
2300	963	82,8	0,25	748	42,9	0,07	476	40,9	0,06
2400	1014	87,1	0,29	787	45,1	0,08	501	43,1	0,07
2500	1064	91,5	0,33	827	47,4	0,09	526	45,2	0,08
2600	1115	95,8	0,38	866	49,6	0,10	551	47,4	0,09
2700	1166	100,2	0,44	905	51,9	0,12	576	49,5	0,11
2800	1216	104,6	0,49	945	54,1	0,13	601	51,7	0,12
2900	1267	108,9	0,56	984	56,4	0,15	626	53,8	0,14
3000	1318	113,3	0,63	1024	58,7	0,17	651	56,0	0,15
3100	1369	117,6	0,70	1063	60,9	0,19	676	58,1	0,17
3200	1419	122,0	0,78	1102	63,2	0,21	701	60,3	0,19
3400	1521	130,7	0,96	1181	67,7	0,26	751	64,6	0,24
3600	1622	139,4	1,17	1260	72,2	0,31	802	68,9	0,29
3800	1723	148,1	1,40	1339	76,7	0,38	852	73,2	0,34
4000	1825	156,8	1,66	1417	81,2	0,44	902	77,5	0,41
4200	1926	165,5	1,95	1496	85,7	0,52	952	81,8	0,48
4400	2028	174,3	2,27	1575	90,2	0,61	1002	86,1	0,56
4600	2129	183,0	2,63	1654	94,8	0,71	1052	90,5	0,64
4800	2231	191,7	3,02	1733	99,3	0,81	1102	94,8	0,74
5000	2332	200,4	3,45	1811	103,8	0,93	1153	99,1	0,84

Definition of symbols

Q _h [W]	Heating capacity
\dot{m}_w [kg/h]	Water flow
Δp_w [kPa]	Pressure drop on the waterside

TK-13 Lx40x10

Housing length L [mm]	Heating capacity								
	75 °C / 65 °C / 20 °C			70 °C / 55 °C / 20 °C			55 °C / 45 °C / 20 °C		
	Q _h	ṁ _w	Δp _w	Q _h	ṁ _w	Δp _w	Q _h	ṁ _w	Δp _w
	[W]	[kg/h]	[kPa]	[W]	[kg/h]	[kPa]	[W]	[kg/h]	[kPa]
800	271	23,3	0,01	212	12,2	<0,01	137	11,8	<0,01
900	339	29,1	0,01	265	15,2	<0,01	172	14,8	<0,01
1000	407	35,0	0,02	318	18,3	0,01	206	17,7	0,01
1100	474	40,8	0,03	371	21,3	0,01	240	20,7	0,01
1200	542	46,6	0,05	425	24,3	0,01	275	23,6	0,01
1300	610	52,5	0,07	478	27,4	0,02	309	26,6	0,02
1400	678	58,3	0,10	531	30,4	0,03	344	29,6	0,02
1500	746	64,1	0,13	584	33,5	0,04	378	32,5	0,03
1600	814	69,9	0,17	637	36,5	0,05	412	35,5	0,04
1700	881	75,8	0,21	690	39,6	0,06	447	38,4	0,05
1800	949	81,6	0,26	743	42,6	0,07	481	41,4	0,07
1900	1017	87,4	0,32	796	45,7	0,09	516	44,3	0,08
2000	1085	93,3	0,39	850	48,7	0,11	550	47,3	0,10
2100	1153	99,1	0,47	903	51,7	0,13	584	50,3	0,12
2200	1221	104,9	0,56	956	54,8	0,15	619	53,2	0,14
2300	1289	110,8	0,66	1009	57,8	0,18	653	56,2	0,17
2400	1356	116,6	0,77	1062	60,9	0,21	688	59,1	0,20
2500	1424	122,4	0,89	1115	63,9	0,24	722	62,1	0,23
2600	1492	128,2	1,02	1168	67,0	0,28	756	65,0	0,26
2700	1560	134,1	1,16	1222	70,0	0,32	791	68,0	0,30
2800	1628	139,9	1,32	1275	73,0	0,36	825	70,9	0,34
2900	1696	145,7	1,49	1328	76,1	0,41	860	73,9	0,38
3000	1763	151,6	1,68	1381	79,1	0,46	894	76,9	0,43
3200	1899	163,2	2,09	1487	85,2	0,57	963	82,8	0,54
3400	2035	174,9	2,57	1593	91,3	0,70	1032	88,7	0,66
3600	2170	186,5	3,12	1700	97,4	0,85	1101	94,6	0,80
3800	2306	198,2	3,74	1806	103,5	1,02	1169	100,5	0,96
4000	2442	209,8	4,44	1912	109,6	1,21	1238	106,4	1,14
4200	2578	221,5	5,22	2019	115,6	1,42	1307	112,3	1,34
4400	2713	233,2	6,08	2125	121,7	1,66	1376	118,2	1,56
4600	2849	244,8	7,04	2231	127,8	1,92	1445	124,2	1,81
4800	2985	256,5	8,09	2337	133,9	2,21	1513	130,1	2,08
5000	3120	268,1	9,24	2444	140,0	2,52	1582	136,0	2,38

Definition of symbols

Q _h [W]	Heating capacity
ṁ _w [kg/h]	Water flow
Δp _w [kPa]	Pressure drop on the waterside

TK-13 Lx20x14

Housing length L [mm]	Heating capacity								
	75 °C / 65 °C / 20 °C			70 °C / 55 °C / 20 °C			55 °C / 45 °C / 20 °C		
	Q _h	ṁ _w	Δp _w	Q _h	ṁ _w	Δp _w	Q _h	ṁ _w	Δp _w
	[W]	[kg/h]	[kPa]	[W]	[kg/h]	[kPa]	[W]	[kg/h]	[kPa]
800	143	12,3	< 0,01	106	6,1	< 0,01	62	5,3	< 0,01
900	179	15,4	< 0,01	133	7,6	< 0,01	77	6,7	< 0,01
1000	214	18,5	< 0,01	160	9,2	< 0,01	93	8,0	< 0,01
1100	250	21,5	0,01	186	10,7	< 0,01	108	9,4	< 0,01
1200	286	24,6	0,01	213	12,2	< 0,01	124	10,7	< 0,01
1300	322	27,7	0,01	240	13,8	< 0,01	139	12,0	< 0,01
1400	358	30,8	0,02	266	15,3	< 0,01	155	13,4	< 0,01
1500	393	33,8	0,02	293	16,8	0,01	171	14,7	< 0,01
1600	429	36,9	0,03	320	18,3	0,01	186	16,0	0,01
1700	465	40,0	0,04	346	19,9	0,01	202	17,4	0,01
1800	501	43,1	0,05	373	21,4	0,01	217	18,7	0,01
1900	537	46,1	0,06	400	22,9	0,02	233	20,0	0,01
2000	572	49,2	0,07	427	24,5	0,02	248	21,4	0,01
2100	608	52,3	0,09	453	26,0	0,02	264	22,7	0,02
2200	644	55,4	0,10	480	27,5	0,03	279	24,0	0,02
2300	680	58,5	0,12	507	29,0	0,03	295	25,4	0,02
2400	716	61,5	0,14	533	30,6	0,04	310	26,7	0,03
2500	751	64,6	0,17	560	32,1	0,04	326	28,1	0,03
2600	787	67,7	0,19	587	33,6	0,05	342	29,4	0,04
2700	823	70,8	0,22	613	35,2	0,05	357	30,7	0,04
2800	859	73,8	0,25	640	36,7	0,06	373	32,1	0,05
2900	895	76,9	0,28	667	38,2	0,07	388	33,4	0,05
3000	931	80,0	0,31	693	39,7	0,08	404	34,7	0,06
3200	1002	86,1	0,39	747	42,8	0,10	435	37,4	0,07
3400	1074	92,3	0,48	800	45,9	0,12	466	40,1	0,09
3600	1145	98,5	0,58	854	48,9	0,14	497	42,8	0,11
3800	1217	104,6	0,70	907	52,0	0,17	528	45,4	0,13
4000	1289	110,8	0,83	960	55,0	0,20	559	48,1	0,16
4200	1360	116,9	0,97	1014	58,1	0,24	590	50,8	0,18
4400	1432	123,1	1,13	1067	61,1	0,28	621	53,4	0,21
4600	1503	129,2	1,31	1120	64,2	0,32	653	56,1	0,25
4800	1575	135,4	1,51	1174	67,3	0,37	684	58,8	0,28
5000	1647	141,5	1,72	1227	70,3	0,43	715	61,5	0,32

Definition of symbols

Q _h [W]	Heating capacity
ṁ _w [kg/h]	Water flow
Δp _w [kPa]	Pressure drop on the waterside

TK-13 Lx30x14

Housing length L [mm]	Heating capacity								
	75 °C / 65 °C / 20 °C			70 °C / 55 °C / 20 °C			55 °C / 45 °C / 20 °C		
	Q _h	\dot{m}_w	Δp_w	Q _h	\dot{m}_w	Δp_w	Q _h	\dot{m}_w	Δp_w
	[W]	[kg/h]	[kPa]	[W]	[kg/h]	[kPa]	[W]	[kg/h]	[kPa]
800	233	20,1	< 0,01	178	10,2	< 0,01	109	9,4	< 0,01
900	292	25,1	< 0,01	222	12,8	< 0,01	136	11,7	< 0,01
1000	350	30,1	< 0,01	267	15,3	< 0,01	163	14,1	< 0,01
1100	408	35,1	0,01	311	17,9	< 0,01	191	16,4	< 0,01
1200	467	40,1	0,01	356	20,4	< 0,01	218	18,8	< 0,01
1300	525	45,2	0,01	401	23,0	< 0,01	245	21,1	< 0,01
1400	584	50,2	0,02	445	25,5	0,01	272	23,5	< 0,01
1500	642	55,2	0,03	490	28,1	0,01	300	25,8	0,01
1600	700	60,2	0,03	534	30,6	0,01	327	28,1	0,01
1700	759	65,2	0,04	579	33,2	0,01	354	30,5	0,01
1800	817	70,3	0,06	623	35,7	0,01	382	32,8	0,01
1900	876	75,3	0,07	668	38,3	0,02	409	35,2	0,01
2000	934	80,3	0,08	713	40,8	0,02	436	37,5	0,02
2100	993	85,3	0,10	757	43,4	0,03	464	39,9	0,02
2200	1051	90,3	0,12	802	46,0	0,03	491	42,2	0,03
2300	1109	95,4	0,14	846	48,5	0,04	518	44,6	0,03
2400	1168	100,4	0,16	891	51,1	0,04	545	46,9	0,03
2500	1226	105,4	0,18	935	53,6	0,05	573	49,3	0,04
2600	1285	110,4	0,21	980	56,2	0,05	600	51,6	0,05
2700	1343	115,4	0,24	1025	58,7	0,06	627	53,9	0,05
2800	1401	120,4	0,27	1069	61,3	0,07	655	56,3	0,06
2900	1460	125,5	0,31	1114	63,8	0,08	682	58,6	0,07
3000	1518	130,5	0,35	1158	66,4	0,09	709	61,0	0,08
3200	1635	140,5	0,43	1247	71,5	0,11	764	65,7	0,09
3400	1752	150,6	0,53	1337	76,6	0,14	818	70,4	0,12
3600	1869	160,6	0,65	1426	81,7	0,17	873	75,1	0,14
3800	1986	170,6	0,78	1515	86,8	0,20	928	79,7	0,17
4000	2102	180,7	0,92	1604	91,9	0,24	982	84,4	0,20
4200	2219	190,7	1,08	1693	97,0	0,28	1037	89,1	0,24
4400	2336	200,7	1,26	1782	102,1	0,33	1091	93,8	0,28
4600	2453	210,8	1,46	1871	107,2	0,38	1146	98,5	0,32
4800	2570	220,8	1,67	1961	112,3	0,43	1201	103,2	0,37
5000	2686	230,9	1,91	2050	117,4	0,49	1255	107,9	0,42

Definition of symbols

Q _h [W]	Heating capacity
\dot{m}_w [kg/h]	Water flow
Δp_w [kPa]	Pressure drop on the waterside

TK-13 Lx40x14

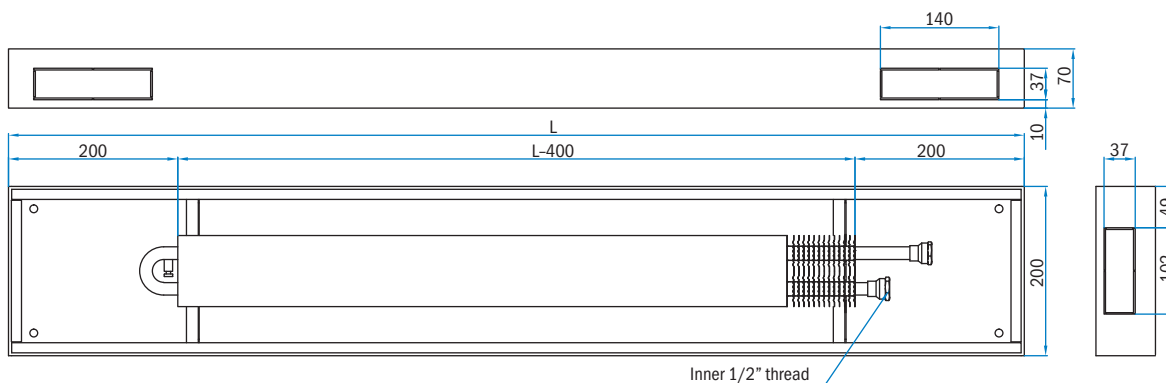
Housing length L [mm]	Heating capacity								
	75 °C / 65 °C / 20 °C			70 °C / 55 °C / 20 °C			55 °C / 45 °C / 20 °C		
	Q _h	\dot{m}_w	Δp_w	Q _h	\dot{m}_w	Δp_w	Q _h	\dot{m}_w	Δp_w
	[W]	[kg/h]	[kPa]	[W]	[kg/h]	[kPa]	[W]	[kg/h]	[kPa]
800	348	29,9	< 0,01	267	15,3	< 0,01	167	14,4	< 0,01
900	435	37,4	< 0,01	334	19,2	< 0,01	209	18,0	< 0,01
1000	522	44,9	< 0,01	401	23,0	< 0,01	250	21,6	< 0,01
1100	609	52,3	< 0,01	468	26,9	< 0,01	292	25,1	< 0,01
1200	696	59,8	< 0,01	535	30,7	< 0,01	334	28,7	< 0,01
1300	783	67,3	< 0,01	602	34,5	< 0,01	376	32,3	< 0,01
1400	870	74,8	< 0,01	669	38,4	< 0,01	418	35,9	< 0,01
1500	957	82,3	0,01	736	42,2	< 0,01	459	39,5	< 0,01
1600	1044	89,7	0,01	803	46,0	< 0,01	501	43,1	< 0,01
1700	1131	97,2	0,01	870	49,9	< 0,01	543	46,7	< 0,01
1800	1218	104,7	0,01	937	53,7	< 0,01	585	50,3	< 0,01
1900	1305	112,2	0,01	1004	57,6	< 0,01	627	53,9	< 0,01
2000	1392	119,6	0,02	1071	61,4	< 0,01	668	57,5	< 0,01
2100	1479	127,1	0,02	1138	65,2	< 0,01	710	61,1	< 0,01
2200	1566	134,6	0,02	1205	69,1	0,01	752	64,7	0,01
2300	1653	142,1	0,03	1272	72,9	0,01	794	68,3	0,01
2400	1740	149,6	0,03	1339	76,7	0,01	836	71,8	0,01
2500	1827	157,0	0,04	1406	80,6	0,01	878	75,4	0,01
2600	1914	164,5	0,04	1473	84,4	0,01	919	79,0	0,01
2700	2001	172,0	0,05	1540	88,3	0,01	961	82,6	0,01
2800	2088	179,5	0,05	1607	92,1	0,01	1003	86,2	0,01
2900	2175	186,9	0,06	1674	95,9	0,02	1045	89,8	0,01
3000	2262	194,4	0,07	1741	99,8	0,02	1087	93,4	0,02
3200	2436	209,4	0,08	1875	107,4	0,02	1170	100,6	0,02
3400	2610	224,3	0,10	2009	115,1	0,03	1254	107,8	0,02
3600	2785	239,3	0,12	2143	122,8	0,03	1337	115,0	0,03
3800	2959	254,2	0,15	2277	130,5	0,04	1421	122,1	0,03
4000	3133	269,2	0,18	2411	138,1	0,05	1505	129,3	0,04
4200	3307	284,2	0,21	2545	145,8	0,05	1588	136,5	0,05
4400	3481	299,1	0,24	2679	153,5	0,06	1672	143,7	0,06
4600	3655	314,1	0,28	2813	161,2	0,07	1756	150,9	0,06
4800	3829	329,0	0,32	2947	168,8	0,08	1839	158,1	0,07
5000	4003	344,0	0,37	3081	176,5	0,10	1923	165,2	0,08

Definition of symbols

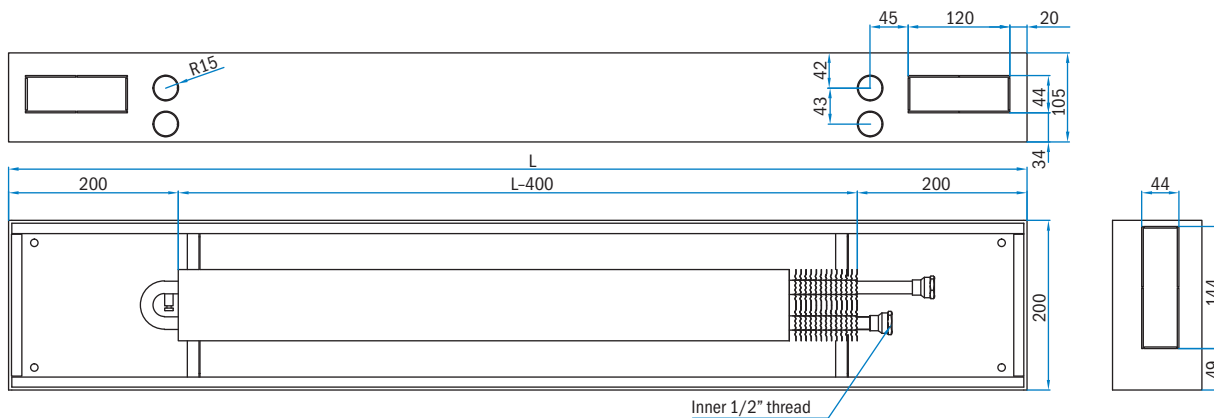
Q _h [W]	Heating capacity
\dot{m}_w [kg/h]	Water flow
Δp_w [kPa]	Pressure drop on the waterside

■ Dimensions

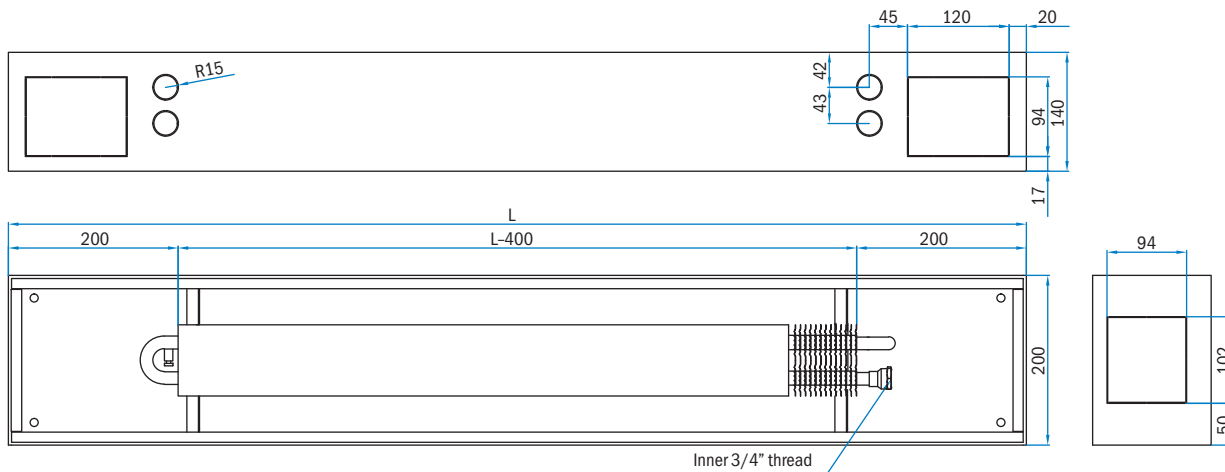
TK-13 Lx20x07



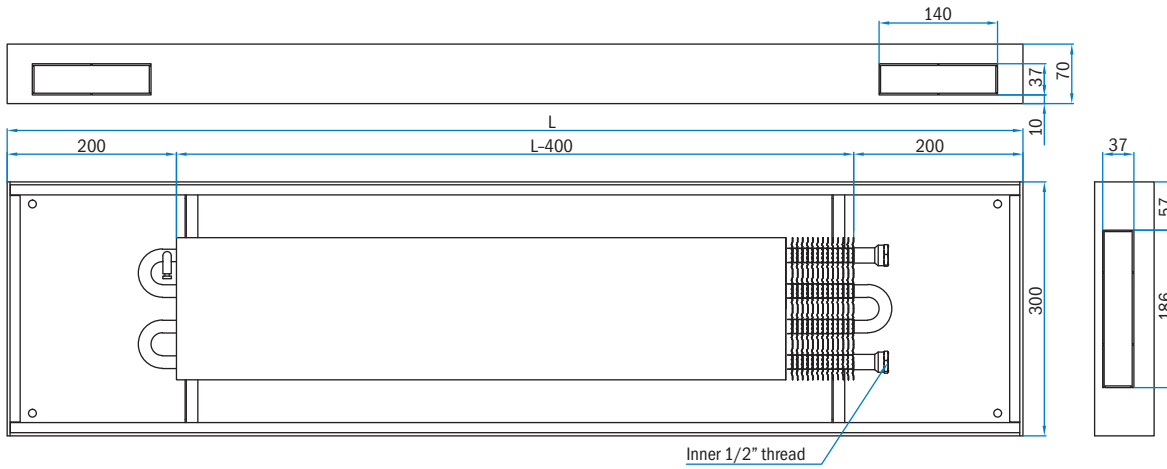
TK-13 Lx20x10



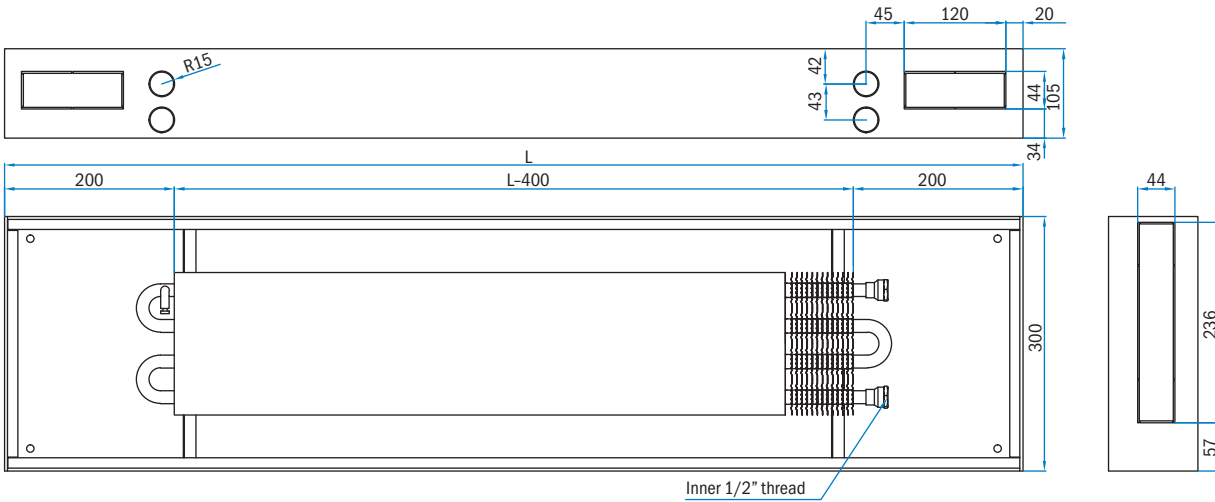
TK-13 Lx20x14



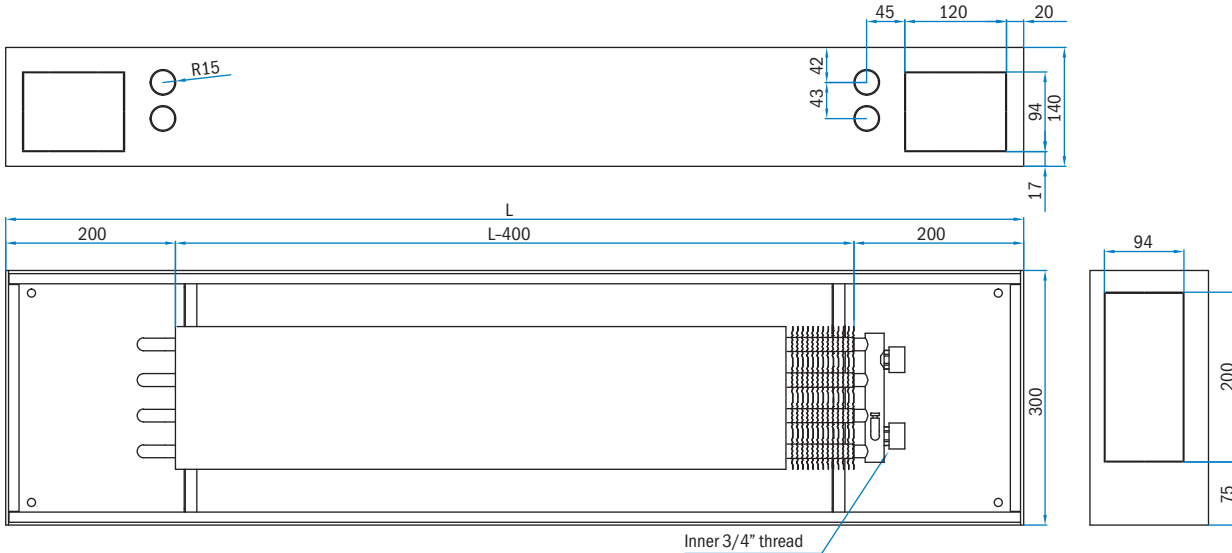
TK-13 Lx30x07



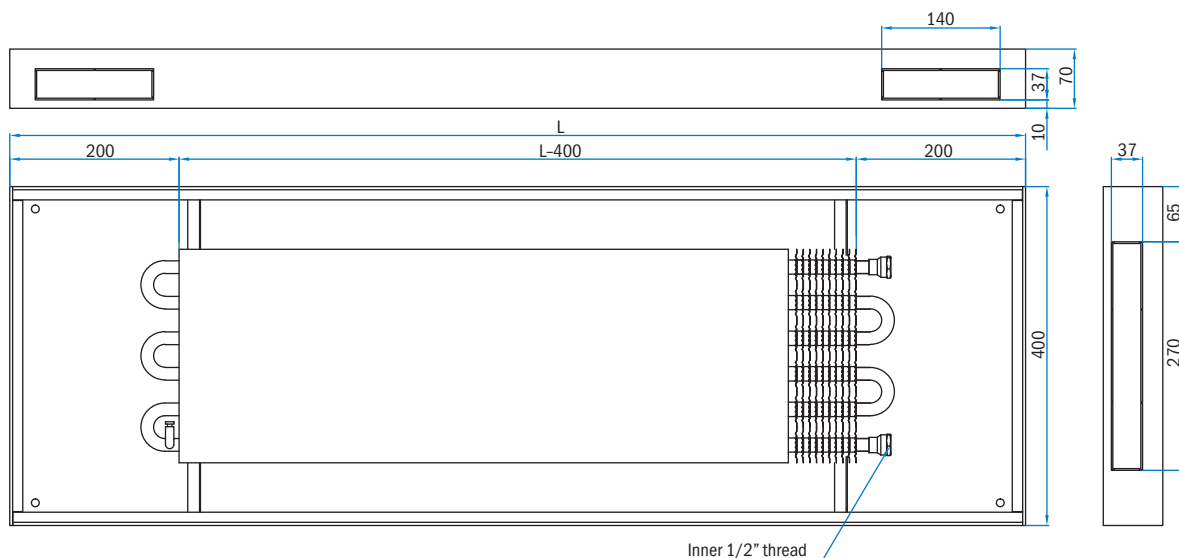
TK-13 Lx30x10



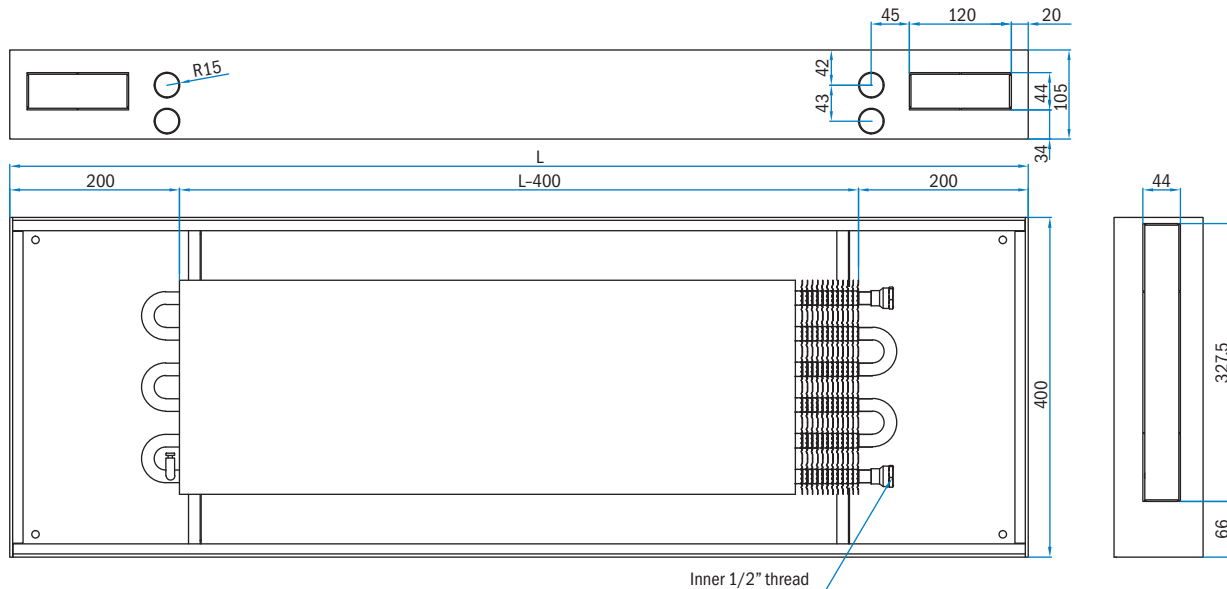
TK-13 Lx30x14



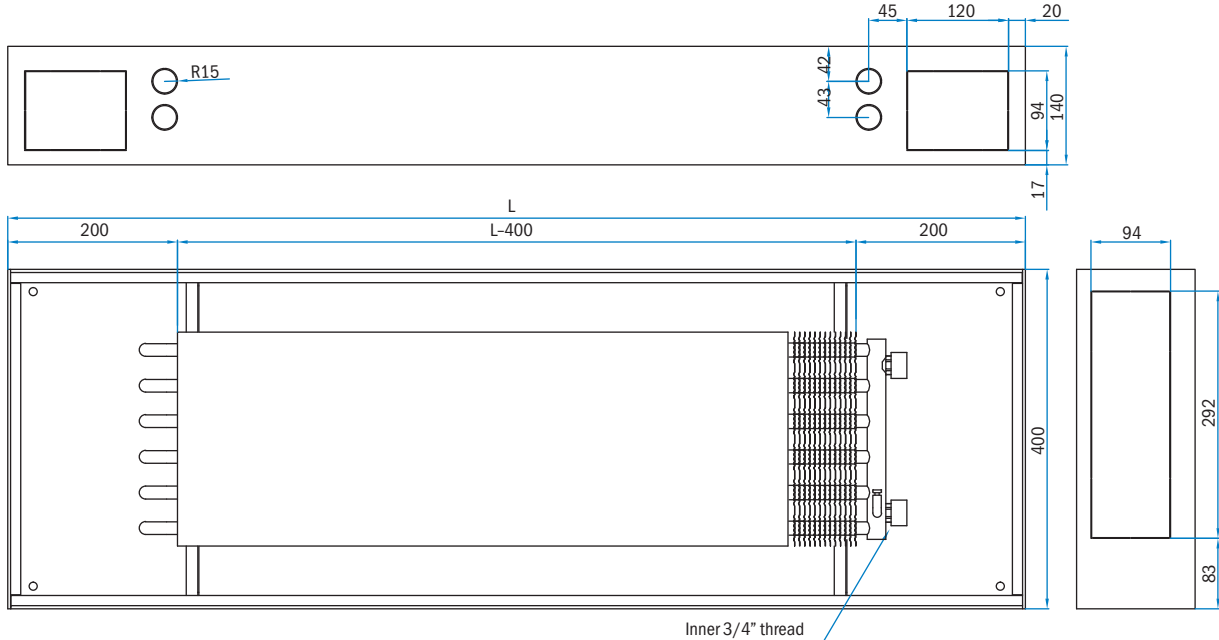
TK-13 Lx40x07



TK-13 Lx40x10



TK-13 Lx40x14



Forced convection floor convectors TKV-13

Application

Floor convectors with forced convection are particularly suitable for primary or secondary heating of rooms, where faster heating and large heating capacities are required. They are installed to the floor, in the immediate proximity of windows, doors and other cooling surfaces. Recommended distance between floor convector and glass surface is 50-200 mm.

They are used for partial cover heat losses, prevention of condensation on glass surfaces, reduction of the convection effect from cold surfaces and prevention of inlet of cold outside air through doors. Floor convectors with forced convection feature low noise level during low fan speeds.

Operation

Forced convection floor convectors apply the principle of forced air circulation, maintained both by means of a tangential fan and by natural convection. Cold air enters into the floor convector, warms in the heat exchanger and rises into the room. Increased volume flow rate contributes to uniform distribution of heat in the room and improved occupancy comfort.

TKV-13 components (basic design)

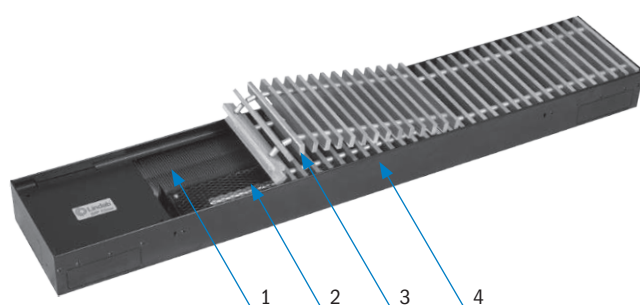
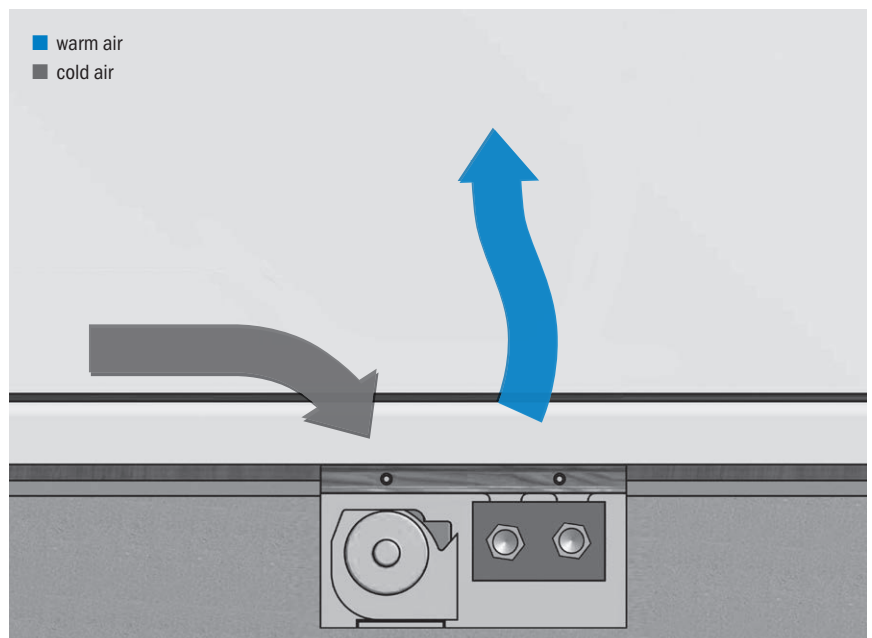
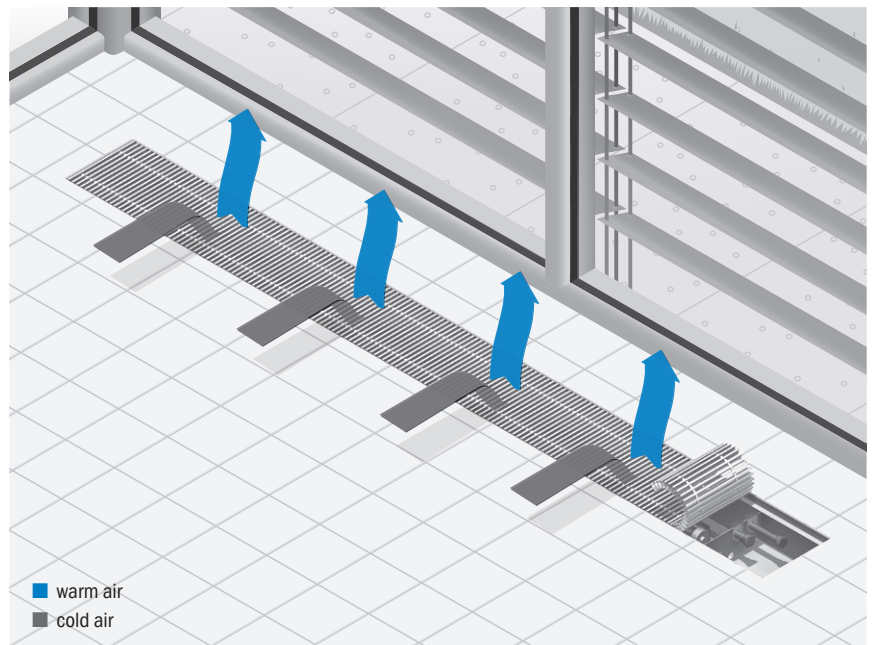
1. Heat exchanger,
2. Tangential fan,
3. Tread-on grille,
4. Housing.

Types

TKV-13 floor convectors are available in 32 lengths from 900 mm to 5000 mm, in the widths of 200 mm, 300 mm and 400 mm and heights of 80 mm, 105 mm and 140 mm. In the range up to 3000 mm lengths are available in the increments of 100 mm, over 3000 lengths are available in the increments of 200 mm.

Control accessories

Basic version does not include regulation elements on water and air side. For water side regulation, different types of valves are available, codes O1,...,VP2. For 3-step speed control of AC fan as a basic accessory, the autotransformer should be selected and if necessary the relay interface. For stepless control of AC or EC fans, you can choose the appropriate regulator from the accessories available. Depending on the selected type of floor convector type and control, different types of thermostats are available.



■ Technical data

TKV-13 Lx20x08

Housing length L [mm]	Fan speed AC	Heating capacity									Sound power L _{WA} [dB]	Sound pressure L _{pA} [dB]
		75 °C / 65 °C / 20 °C			70 °C / 55 °C / 20 °C			55 °C / 45 °C / 20 °C				
		Q _h [W]	m _w [kg/h]	Δp _w [kPa]	Q _h [W]	m _w [kg/h]	Δp _w [kPa]	Q _h [W]	m _w [kg/h]	Δp _w [kPa]		
900	MAX	559	48,0	0,01	453	26,0	<0,01	316	27,2	<0,01	44	38
	MED	427	36,7	0,01	344	19,7	<0,01	236	20,3	<0,01	35	29
	MIN	336	28,8	<0,01	269	15,4	<0,01	183	15,7	<0,01	<30	23
	STOP	95	8,1	<0,01	73	4,2	<0,01	45	3,9	<0,01	-	-
1000	MAX	577	49,5	0,02	466	26,7	<0,01	322	27,7	<0,01	44	38
	MED	445	38,2	0,01	357	20,4	<0,01	243	20,9	<0,01	35	28
	MIN	353	30,4	0,01	282	16,2	<0,01	191	16,4	<0,01	<30	23
	STOP	112	9,6	<0,01	86	5,0	<0,01	54	4,6	<0,01	-	-
1100	MAX	594	51,1	0,02	478	27,4	0,01	328	28,2	0,01	44	37
	MED	463	39,7	0,01	370	21,2	<0,01	250	21,5	<0,01	35	28
	MIN	371	31,9	0,01	296	16,9	<0,01	198	17,1	<0,01	<30	23
	STOP	130	11,2	<0,01	100	5,7	<0,01	62	5,4	<0,01	-	-
1200	MAX	1082	93,0	0,07	880	50,4	0,02	617	53,0	0,02	47	40
	MED	819	70,4	0,04	660	37,8	0,01	455	39,1	0,01	38	31
	MIN	636	54,7	0,02	511	29,3	0,01	349	30,0	0,01	32	26
	STOP	154	13,2	<0,01	118	6,8	<0,01	74	6,3	<0,01	-	-
1300	MAX	1100	94,5	0,08	893	51,2	0,02	625	53,7	0,03	47	40
	MED	837	71,9	0,05	674	38,6	0,01	464	39,9	0,01	38	31
	MIN	654	56,2	0,03	524	30,0	0,01	357	30,7	0,01	32	26
	STOP	171	14,7	<0,01	132	7,6	<0,01	82	7,1	<0,01	-	-
1400	MAX	1118	96,0	0,09	906	51,9	0,03	632	54,3	0,03	47	40
	MED	854	73,4	0,05	688	39,4	0,02	472	40,5	0,02	38	31
	MIN	671	57,7	0,03	538	30,8	0,01	366	31,4	0,01	32	26
	STOP	189	16,3	<0,01	146	8,3	<0,01	91	7,8	<0,01	-	-
1500	MAX	1136	97,6	0,10	919	52,7	0,03	639	54,9	0,03	47	40
	MED	872	74,9	0,06	701	40,1	0,02	479	41,2	0,02	38	31
	MIN	689	59,2	0,04	551	31,6	0,01	374	32,1	0,01	32	26
	STOP	207	17,8	<0,01	159	9,1	<0,01	99	8,5	<0,01	-	-
1600	MAX	1153	99,1	0,12	932	53,4	0,03	645	55,4	0,04	47	40
	MED	890	76,4	0,07	714	40,9	0,02	487	41,8	0,02	38	31
	MIN	707	60,7	0,04	565	32,3	0,01	382	32,8	0,01	32	25
	STOP	224	19,3	<0,01	173	9,9	<0,01	108	9,3	<0,01	-	-
1700	MAX	1641	141,0	0,25	1333	76,4	0,07	934	80,2	0,08	48	41
	MED	1246	107,1	0,15	1004	57,5	0,04	692	59,4	0,05	39	32
	MIN	972	83,5	0,09	780	44,7	0,03	532	45,7	0,03	34	27
	STOP	248	21,3	0,01	191	10,9	<0,01	119	10,2	<0,01	-	-
1800	MAX	1659	142,5	0,28	1347	77,1	0,08	941	80,9	0,09	48	41
	MED	1264	108,6	0,16	1018	58,3	0,05	700	60,1	0,05	39	32
	MIN	989	85,0	0,10	793	45,4	0,03	540	46,4	0,03	34	27
	STOP	266	22,9	0,01	205	11,7	<0,01	128	11,0	<0,01	-	-
1900	MAX	1677	144,1	0,30	1360	77,9	0,09	948	81,5	0,10	48	41
	MED	1281	110,1	0,18	1031	59,1	0,05	708	60,8	0,05	39	32
	MIN	1007	86,5	0,11	807	46,2	0,03	549	47,1	0,03	34	27
	STOP	284	24,4	0,01	218	12,5	<0,01	136	11,7	<0,01	-	-
2000	MAX	2165	186,0	0,54	1760	100,8	0,16	1234	106,1	0,18	50	42
	MED	1638	140,7	0,31	1321	75,7	0,09	911	78,3	0,10	41	33
	MIN	1272	109,3	0,19	1021	58,5	0,05	697	59,9	0,06	35	28
	STOP	307	26,4	0,01	237	13,6	<0,01	148	12,7	<0,01	-	-
2100	MAX	2183	187,5	0,58	1773	101,6	0,17	1243	106,8	0,19	50	42
	MED	1656	142,2	0,33	1335	76,5	0,10	920	79,0	0,10	41	33
	MIN	1290	110,8	0,20	1035	59,3	0,06	706	60,7	0,06	35	28
	STOP	325	27,9	0,01	250	14,3	<0,01	156	13,4	<0,01	-	-
2200	MAX	2200	189,0	0,62	1787	102,3	0,18	1250	107,4	0,20	50	42
	MED	1673	143,8	0,36	1348	77,2	0,10	928	79,7	0,11	41	33
	MIN	1307	112,3	0,22	1049	60,1	0,06	715	61,4	0,07	35	28
	STOP	343	29,5	0,02	264	15,1	<0,01	165	14,1	<0,01	-	-
2300	MAX	2218	190,6	0,67	1800	103,1	0,20	1258	108,1	0,21	50	42
	MED	1691	145,3	0,39	1362	78,0	0,11	936	80,4	0,12	41	33
	MIN	1325	113,9	0,24	1062	60,9	0,07	723	62,1	0,07	35	28
	STOP	361	31,0	0,02	277	15,9	<0,01	173	14,9	<0,01	-	-
2400	MAX	2236	192,1	0,71	1813	103,8	0,21	1264	108,6	0,23	50	42
	MED	1709	146,8	0,42	1375	78,8	0,12	944	81,1	0,13	41	33
	MIN	1343	115,4	0,26	1076	61,6	0,07	731	62,8	0,08	35	27
	STOP	378	32,5	0,02	291	16,7	0,01	182	15,6	<0,01	-	-
2500	MAX	2724	234,0	1,11	2213	126,8	0,32	1551	133,3	0,36	51	43
	MED	2065	177,4	0,64	1665	95,4	0,18	1147	98,6	0,20	42	33
	MIN	1608	138,1	0,39	1290	73,9	0,11	880	75,6	0,12	36	28
	STOP	402	34,5	0,02	309	17,7	0,01	193	16,6	0,01	-	-
2600	MAX	2741	235,6	1,17	2227	127,5	0,34	1559	134,0	0,38	51	43
	MED	2083	178,9	0,68	1679	96,1	0,20	1156	99,3	0,21	42	33
	MIN	1625	139,7	0,41	1304	74,7	0,12	889	76,4	0,12	36	28
	STOP	420	36,1	0,03	323	18,5	0,01	201	17,3	0,01	-	-
2700	MAX	2759	237,1	1,24	2240	128,3	0,36	1567	134,6	0,40	51	42
	MED	2100	180,5	0,72	1692	96,9	0,21	1164	100,0	0,22	42	33
	MIN	1643	141,2	0,44	1318	75,5	0,13	898	77,1	0,13	36	28
	STOP	437	37,6	0,03	337	19,3	0,01	210	18,0	0,01	-	-
2800	MAX	3247	279,0	1,79	2640	151,2	0,53	1851	159,1	0,58	52	43
	MED	2457	211,1	1,02	1981	113,5	0,30	1366	117,4	0,32	42	34
	MIN	1908	163,9	0,62	1532	87,7	0,18	1046	89,9	0,19	37	29
	STOP	461	39,6	0,04	355	20,3	0,01	221	19,0	0,01	-	-
2900	MAX	3265	280,5	1,88	2653	152,0	0,55	1860	159,8	0,61	52	43
	MED	2474	212,6	1,08	1995	114,3	0,31	1375	118,2	0,33	42	34
	MIN	1926	165,5	0,65	1546	88,5	0,19	1055	90,6	0,20	37	29
	STOP	479	41,1	0,04	368	21,1	0,01	230	19,7	0,01	-	-

TKV-13 Lx20x08

Housing length L [mm]	Fan speed	Heating capacity									Sound power L _{WA} [dB]	Sound pressure L _{pA} [dB]
		75 °C / 65 °C / 20 °C			70 °C / 55 °C / 20 °C			55 °C / 45 °C / 20 °C				
		Q _h [W]	m _w [kg/h]	Δp _w [kPa]	Q _h [W]	m _w [kg/h]	Δp _w [kPa]	Q _h [W]	m _w [kg/h]	Δp _w [kPa]		
3000	AC											
	MAX	3283	282,1	1,98	2667	152,8	0,58	1868	160,5	0,64	52	43
	MED	2492	214,1	1,14	2009	115,1	0,33	1384	118,9	0,35	42	34
	MIN	1944	167,0	0,69	1559	89,3	0,20	1063	91,4	0,21	37	29
3200	STOP	497	42,7	0,05	382	21,9	0,01	238	20,5	0,01	-	-
	MAX	3318	285,1	2,17	2693	154,3	0,64	1883	161,8	0,70	52	43
	MED	2528	217,2	1,26	2036	116,6	0,36	1400	120,3	0,39	42	34
	MIN	1979	170,0	0,77	1587	90,9	0,22	1081	92,8	0,23	37	28
3400	STOP	532	45,7	0,06	409	23,5	0,01	255	21,9	0,01	-	-
	MAX	3353	288,1	2,37	2719	155,8	0,69	1897	163,0	0,76	52	43
	MED	2563	220,2	1,38	2062	118,1	0,40	1416	121,6	0,42	42	33
	MIN	2014	173,1	0,86	1614	92,4	0,24	1097	94,3	0,25	37	28
3600	STOP	567	48,7	0,07	437	25,0	0,02	272	23,4	0,02	-	-
	MAX	3389	291,2	2,58	2745	157,2	0,75	1910	164,1	0,82	52	42
	MED	2598	223,2	1,52	2089	119,7	0,44	1431	122,9	0,46	42	33
	MIN	2050	176,1	0,94	1641	94,0	0,27	1113	95,7	0,28	37	28
3800	STOP	603	51,8	0,08	464	26,6	0,02	289	24,9	0,02	-	-
	MAX	4365	375,1	4,54	3547	203,2	1,33	2485	213,5	1,47	53	43
	MED	3311	284,5	2,61	2669	152,9	0,75	1839	158,0	0,81	44	34
	MIN	2580	221,6	1,58	2070	118,6	0,45	1412	121,3	0,47	38	29
4000	STOP	650	55,9	0,10	500	28,7	0,03	312	26,8	0,02	-	-
	MAX	4401	378,1	4,88	3573	204,7	1,43	2501	214,8	1,57	53	43
	MED	3346	287,5	2,82	2696	154,5	0,81	1856	159,5	0,87	44	34
	MIN	2615	224,7	1,72	2097	120,1	0,49	1429	122,8	0,51	38	29
4200	STOP	686	58,9	0,12	528	30,2	0,03	329	28,3	0,03	-	-
	MAX	4436	381,1	5,22	3600	206,2	1,53	2515	216,1	1,68	53	43
	MED	3382	290,6	3,04	2723	156,0	0,87	1872	160,8	0,93	44	34
	MIN	2650	227,7	1,86	2125	121,7	0,53	1446	124,3	0,56	38	29
4400	STOP	721	62,0	0,14	555	31,8	0,04	346	29,7	0,03	-	-
	MAX	4471	384,2	5,58	3625	207,7	1,63	2529	217,3	1,79	53	43
	MED	3417	293,6	3,26	2750	157,5	0,94	1888	162,2	0,99	44	34
	MIN	2686	230,8	2,01	2152	123,3	0,57	1463	125,7	0,60	38	29
4600	STOP	756	65,0	0,16	582	33,3	0,04	363	31,2	0,04	-	-
	MAX	4507	387,2	5,95	3651	209,1	1,73	2542	218,4	1,89	53	43
	MED	3453	296,6	3,49	2776	159,0	1,00	1903	163,5	1,06	44	34
	MIN	2721	233,8	2,17	2179	124,8	0,62	1479	127,1	0,64	38	29
4800	STOP	792	68,0	0,18	609	34,9	0,05	380	32,7	0,04	-	-
	MAX	5483	471,1	9,21	4453	255,1	2,70	3118	267,9	2,98	54	44
	MED	4165	357,9	5,32	3357	192,3	1,53	2312	198,6	1,64	45	35
	MIN	3251	279,3	3,24	2608	149,4	0,93	1778	152,8	0,97	39	29
5000	STOP	839	72,1	0,22	646	37,0	0,06	403	34,6	0,05	-	-
	MAX	5518	474,1	9,75	4480	256,6	2,86	3133	269,2	3,14	54	44
	MED	4201	360,9	5,65	3384	193,8	1,63	2328	200,0	1,73	45	34
	MIN	3286	282,4	3,46	2635	151,0	0,99	1795	154,3	1,03	39	29
	STOP	875	75,2	0,24	673	38,6	0,06	420	36,1	0,06	-	-

Note: The level of sound pressure L_{pA} is calculated based on the level of sound power L_{WA} emitted by the noise source at a certain distance (1 m) and depends on the installation type (free space or next to a wall).

Definition of symbols

Q _h [W]	Heating capacity
m _w [kg/h]	Water flow
Δp _w [kPa]	Pressure drop on the waterside

TKV-13 Lx30x08

Housing length L [mm]	Fan speed	Heating capacity									Sound power L _{WA} [dB]	Sound pressure L _{pA} [dB]
		75 °C / 65 °C / 20 °C			70 °C / 55 °C / 20 °C			55 °C / 45 °C / 20 °C				
		Q _h [W]	m _w [kg/h]	Δp _w [kPa]	Q _h [W]	m _w [kg/h]	Δp _w [kPa]	Q _h [W]	m _w [kg/h]	Δp _w [kPa]		
900	AC											
	MAX	757	65,0	0,04	613	35,1	0,01	428	36,7	0,01	44	38
	MED	568	48,8	0,02	456	26,1	0,01	312	26,8	0,01	36	30
	MIN	445	38,2	0,01	356	20,4	<0,01	242	20,8	<0,01	31	25
1000	STOP	149	12,8	<0,01	114	6,5	<0,01	70	6,0	<0,01	-	-
	MAX	784	67,4	0,05	633	36,3	0,02	437	37,6	0,02	44	38
	MED	595	51,1	0,03	476	27,3	0,01	323	27,8	0,01	36	30
	MIN	472	40,6	0,02	377	21,6	0,01	254	21,8	0,01	31	25
1100	STOP	176	15,2	<0,01	135	7,7	<0,01	83	7,1	<0,01	-	-
	MAX	811	69,7	0,07	652	37,4	0,02	446	38,3	0,02	44	38
	MED	622	53,5	0,04	496	28,4	0,01	334	28,7	0,01	36	30
	MIN	499	42,9	0,03	397	22,8	0,01	266	22,8	0,01	31	25
1200	STOP	204	17,5	<0,01	156	8,9	<0,01	96	8,2	<0,01	-	-
	MAX	1459	125,4	0,25	1186	67,9	0,07	832	71,5	0,08	47	41
	MED	1081	92,9	0,13	871	49,9	0,04	599	51,5	0,04	39	33
	MIN	835	71,8	0,08	670	38,4	0,02	457	39,3	0,02	34	28
1300	STOP	244	20,9	0,01	186	10,7	<0,01	114	9,8	<0,01	-	-
	MAX	1487	127,7	0,28	1207	69,1	0,08	844	72,5	0,09	47	40
	MED	1108	95,2	0,16	892	51,1	0,05	612	52,6	0,05	39	33
	MIN	863	74,1	0,10	692	39,6	0,03	471	40,5	0,03	34	28
1400	STOP	271	23,3	0,01	207	11,9	<0,01	127	10,9	<0,01	-	-
	MAX	1514	130,1	0,33	1227	70,3	0,10	855	73,5	0,10	47	40
	MED	1136	97,6	0,18	912	52,3	0,05	624	53,6	0,06	39	33
	MIN	890	76,5	0,11	712	40,8	0,03	484	41,6	0,03	34	28
1500	STOP	298	25,6	0,01	228	13,1	<0,01	140	12,0	<0,01	-	-
	MAX	1541	132,4	0,37	1247	71,4	0,11	865	74,3	0,12	47	40
	MED	1163	99,9	0,21	933	53,4	0,06	636	54,6	0,06	39	32
	MIN	917	78,8	0,13	733	42,0	0,04	496	42,6	0,04	34	28
1600	STOP	326	28,0	0,02	249	14,2	<0,01	153	13,1	<0,01	-	-
	MAX	1568	134,8	0,42	1266	72,5	0,12	875	75,1	0,13	47	40
	MED	1190	102,3	0,24	953	54,6	0,07	647	55,6	0,07	39	32
	MIN	944	81,1	0,15	754	43,2	0,04	508	43,7	0,04	34	27
1700	STOP	353	30,3	0,02	270	15,4	0,01	166	14,2	<0,01	-	-
	MAX	2216	190,4	0,90	1800	103,1	0,26	1260	108,3	0,29	49	42
	MED	1649	141,7	0,50	1327	76,0	0,14	912	78,3	0,15	41	34
	MIN	1280	110,0	0,30	1027	58,8	0,09	700	60,1	0,09	36	29
1800	STOP	393	33,8	0,03	300	17,2	0,01	184	15,8	0,01	-	-
	MAX	2243	192,8	0,99	1820	104,3	0,29	1272	109,3	0,32	49	41
	MED	1676	144,0	0,55	1348	77,2	0,16	924	79,4	0,17	41	34
	MIN	1307	112,3	0,34	1048	60,0	0,10	713	61,3	0,10	36	29
1900	STOP	420	36,1	0,03	321	18,4	0,01	197	16,9	0,01	-	-
	MAX	2271	195,1	1,09	1840	105,4	0,32	1283	110,2	0,35	49	41
	MED	1703	146,3	0,61	1369	78,4	0,18	936	80,4	0,18	41	34
	MIN	1335	114,7	0,38	1069	61,2	0,11	726	62,4	0,11	36	29
2000	STOP	447	38,4	0,04	342	19,6	0,01	210	18,0	0,01	-	-
	MAX	2919	250,8	1,91	2372	135,9	0,56	1664	143,0	0,62	50	42
	MED	2162	185,8	1,05	1741	99,8	0,30	1198	102,9	0,32	42	35
	MIN	1671	143,5	0,63	1341	76,8	0,18	915	78,6	0,19	37	30
2100	STOP	488	41,9	0,05	372	21,3	0,01	229	19,7	0,01	-	-
	MAX	2946	253,1	2,07	2393	137,1	0,61	1676	144,0	0,67	50	42
	MED	2189	188,1	1,14	1763	101,0	0,33	1211	104,1	0,35	42	35
	MIN	1698	145,9	0,69	1362	78,0	0,20	929	79,8	0,21	37	30
2200	STOP	515	44,2	0,06	393	22,5	0,02	242	20,8	0,01	-	-
	MAX	2973	255,4	2,23	2414	138,3	0,65	1688	145,1	0,72	50	42
	MED	2217	190,4	1,24	1784	102,2	0,36	1224	105,2	0,38	42	35
	MIN	1725	148,2	0,75	1383	79,2	0,21	942	80,9	0,22	37	30
2300	STOP	542	46,6	0,07	414	23,7	0,02	254	21,9	0,02	-	-
	MAX	3000	257,8	2,39	2434	139,4	0,70	1700	146,0	0,77	50	42
	MED	2244	192,8	1,34	1804	103,4	0,38	1236	106,2	0,41	42	34
	MIN	1752	150,6	0,82	1404	80,4	0,23	955	82,0	0,24	37	30
2400	STOP	569	48,9	0,09	435	24,9	0,02	267	23,0	0,02	-	-
	MAX	3028	260,1	2,56	2454	140,6	0,75	1710	147,0	0,82	50	42
	MED	2271	195,1	1,44	1825	104,5	0,41	1248	107,3	0,43	42	34
	MIN	1780	152,9	0,88	1425	81,6	0,25	968	83,1	0,26	37	29
2500	STOP	597	51,3	0,10	456	26,1	0,03	280	24,1	0,02	-	-
	MAX	3675	315,8	3,96	2986	171,1	1,16	2093	179,8	1,28	51	43
	MED	2730	234,5	2,18	2198	125,9	0,63	1510	129,8	0,67	43	35
	MIN	2116	181,8	1,31	1697	97,2	0,37	1157	99,4	0,39	38	30
2600	STOP	637	54,7	0,12	486	27,9	0,03	299	25,7	0,03	-	-
	MAX	3703	318,1	4,20	3007	172,2	1,23	2105	180,8	1,36	51	43
	MED	2757	236,9	2,33	2219	127,1	0,67	1523	130,9	0,71	43	35
	MIN	2143	184,1	1,41	1718	98,4	0,40	1171	100,6	0,42	38	30
2700	STOP	664	57,0	0,14	507	29,1	0,04	311	26,8	0,03	-	-
	MAX	3730	320,5	4,45	3027	173,4	1,30	2116	181,8	1,43	51	43
	MED	2784	239,2	2,48	2240	128,3	0,71	1536	132,0	0,76	43	35
	MIN	2170	186,5	1,51	1739	99,6	0,43	1184	101,7	0,45	38	30
2800	STOP	691	59,4	0,15	528	30,2	0,04	324	27,9	0,03	-	-
	MAX	4378	376,1	6,40	3559	203,8	1,88	2496	214,4	2,08	52	43
	MED	3243	278,6	3,51	2612	149,6	1,01	1796	154,4	1,08	44	36
	MIN	2506	215,3	2,10	2011	115,2	0,60	1372	117,9	0,63	39	31
2900	STOP	731	62,8	0,18	559	32,0	0,05	343	29,5	0,04	-	-
	MAX	4405	378,5	6,74	3579	205,0	1,98	2509	215,5	2,19	52	43
	MED	3270	281,0	3,72	2633	150,8	1,07	1810	155,5	1,14	44	36
	MIN	2533	217,7	2,23	2032	116,4	0,64	1386	119,1	0,67	39	31
STOP	759	65,2	0,20	579	33,2	0,05	356	30,6	0,04	-	-	

TKV-13 Lx30x08

Housing length L [mm]	Fan speed	Heating capacity									Sound power L _{WA} [dB]	Sound pressure L _{pA} [dB]
		75 °C / 65 °C / 20 °C			70 °C / 55 °C / 20 °C			55 °C / 45 °C / 20 °C				
		Q _h [W]	m _w [kg/h]	Δp _w [kPa]	Q _h [W]	m _w [kg/h]	Δp _w [kPa]	Q _h [W]	m _w [kg/h]	Δp _w [kPa]		
3000	AC											
	MAX	4432	380,8	7,09	3600	206,2	2,08	2521	216,6	2,29	52	43
	MED	3298	283,3	3,93	2654	152,0	1,13	1823	156,6	1,20	44	36
	MIN	2560	220,0	2,37	2054	117,6	0,68	1400	120,2	0,71	39	31
STOP	786	67,5	0,22	600	34,4	0,06	369	31,7	0,05	-	-	
3200	MAX	4487	385,5	7,82	3641	208,6	2,29	2544	218,6	2,51	52	43
	MED	3352	288,0	4,36	2696	154,4	1,25	1848	158,8	1,33	44	35
	MIN	2615	224,7	2,66	2096	120,0	0,76	1426	122,5	0,79	39	30
	STOP	840	72,2	0,27	642	36,8	0,07	394	33,9	0,06	-	-
3400	MAX	4541	390,2	8,58	3681	210,8	2,50	2565	220,4	2,74	52	43
	MED	3407	292,7	4,83	2737	156,8	1,38	1873	160,9	1,46	44	35
	MIN	2669	229,4	2,96	2137	122,4	0,84	1451	124,7	0,88	39	30
	STOP	895	76,9	0,33	684	39,2	0,09	420	36,1	0,07	-	-
3600	MAX	4596	394,9	9,36	3720	213,1	2,73	2586	222,2	2,96	52	43
	MED	3461	297,4	5,31	2778	159,1	1,52	1896	162,9	1,59	44	35
	MIN	2724	234,0	3,29	2179	124,8	0,94	1476	126,8	0,97	39	30
	STOP	949	81,6	0,40	725	41,5	0,10	445	38,3	0,09	-	-
3800	MAX	5892	506,2	16,33	4786	274,2	4,79	3353	288,1	5,29	53	44
	MED	4379	376,2	9,02	3525	201,9	2,60	2422	208,1	2,76	45	36
	MIN	3396	291,8	5,43	2724	156,0	1,55	1857	159,6	1,62	40	31
	STOP	1030	88,5	0,50	787	45,1	0,13	483	41,5	0,11	-	-
4000	MAX	5946	510,9	17,60	4827	276,5	5,16	3377	290,1	5,68	53	44
	MED	4433	380,9	9,78	3567	204,3	2,82	2448	210,3	2,98	45	36
	MIN	3450	296,4	5,93	2766	158,5	1,69	1884	161,8	1,77	40	31
	STOP	1084	93,1	0,59	828	47,4	0,15	509	43,7	0,13	-	-
4200	MAX	6001	515,6	18,91	4868	278,8	5,53	3399	292,1	6,07	53	43
	MED	4488	385,6	10,58	3608	206,7	3,04	2473	212,4	3,21	45	36
	MIN	3505	301,1	6,45	2808	160,9	1,84	1910	164,1	1,92	40	31
	STOP	1139	97,8	0,68	870	49,8	0,18	534	45,9	0,15	-	-
4400	MAX	6055	520,3	20,26	4908	281,1	5,91	3421	293,9	6,46	53	43
	MED	4542	390,3	11,40	3650	209,0	3,27	2497	214,5	3,44	45	36
	MIN	3559	305,8	7,00	2850	163,2	1,99	1935	166,3	2,07	40	31
	STOP	1193	102,5	0,79	911	52,2	0,20	560	48,1	0,17	-	-
4600	MAX	6110	524,9	21,64	4947	283,4	6,31	3441	295,7	6,87	53	43
	MED	4597	394,9	12,25	3690	211,4	3,51	2520	216,5	3,68	45	35
	MIN	3614	310,5	7,57	2891	165,6	2,15	1960	168,4	2,23	40	31
	STOP	1248	107,2	0,90	953	54,6	0,23	585	50,3	0,20	-	-
4800	MAX	7405	636,3	33,30	6014	344,5	9,76	4209	361,7	10,76	54	44
	MED	5514	473,8	18,46	4438	254,2	5,32	3047	261,8	5,64	46	36
	MIN	4286	368,2	11,15	3437	196,9	3,19	2341	201,2	3,33	41	31
	STOP	1328	114,1	1,07	1014	58,1	0,28	623	53,5	0,24	-	-
5000	MAX	7460	641,0	35,31	6055	346,8	10,34	4232	363,7	11,37	54	44
	MED	5569	478,5	19,68	4480	256,6	5,66	3072	264,0	5,99	46	36
	MIN	4340	372,9	11,95	3479	199,3	3,41	2368	203,4	3,56	41	31
	STOP	1382	118,8	1,21	1056	60,5	0,31	649	55,7	0,27	-	-

Note: The level of sound pressure L_{pA} is calculated based on the level of sound power L_{WA} emitted by the noise source at a certain distance (1 m) and depends on the installation type (free space or next to a wall).

Other technical data for TKV-13 Lx20x08 and TKV-13 Lx30x08

Housing length [mm]	Fan designation (max. no. of fans)	Water connectors dimensions ["]	Air flow [m ³ /h]	Max. input power [W]	Max. input current [A]
900-1100	1 1	1/2	80	5	0,04
1200-1600	1 2	1/2	160	9	0,08
1700-1900	2 3	1/2	240	14	0,12
2000-2400	2 4	1/2	320	18	0,16
2500-2700	3 5	1/2	400	23	0,20
2800-3600	3 6	1/2	480	27	0,24
3800-4600	4 8	1/2	640	36	0,32
4800-5000	5 10	1/2	800	45	0,40

Definition of symbols

Q _h [W]	Heating capacity
m _w [kg/h]	Water flow
Δp _w [kPa]	Pressure drop on the waterside

TKV-13 Lx20x10

Housing length L [mm]	Fan speed		Heating capacity									Sound power L _{WA} [dB]	Sound pressure L _{PA} [dB]
			75 °C / 65 °C / 20 °C			70 °C / 55 °C / 20 °C			55 °C / 45 °C / 20 °C				
			Q _h [W]	m _w [kg/h]	Δp _w [kPa]	Q _h [W]	m _w [kg/h]	Δp _w [kPa]	Q _h [W]	m _w [kg/h]	Δp _w [kPa]		
900	MAX	100%	577	49,6	0,01	470	26,9	<0,01	330	28,4	<0,01	43	37
	MED	70%	453	38,9	0,01	366	21,0	<0,01	254	21,9	<0,01	34	28
	MIN	50%	362	31,1	0,01	290	16,6	<0,01	197	16,9	<0,01	<30	23
	-	30%	266	22,8	<0,01	211	12,1	<0,01	140	12,0	<0,01	<30	<20
	STOP		109	9,4	<0,01	84	4,8	<0,01	52	4,5	<0,01	-	-
1000	MAX	100%	596	51,2	0,02	483	27,7	<0,01	336	28,9	0,01	43	37
	MED	70%	471	40,5	0,01	380	21,8	<0,01	262	22,5	<0,01	34	28
	MIN	50%	381	32,7	0,01	304	17,4	<0,01	205	17,6	<0,01	<30	23
	-	30%	284	24,4	<0,01	225	12,9	<0,01	149	12,8	<0,01	<30	<20
	STOP		127	11,0	<0,01	98	5,6	<0,01	61	5,2	<0,01	-	-
1100	MAX	100%	614	52,8	0,02	495	28,4	0,01	342	29,4	0,01	43	36
	MED	70%	490	42,1	0,01	393	22,5	<0,01	269	23,1	<0,01	34	27
	MIN	50%	399	34,3	0,01	318	18,2	<0,01	213	18,3	<0,01	<30	23
	-	30%	302	26,0	<0,01	239	13,7	<0,01	157	13,5	<0,01	<30	<20
	STOP		146	12,5	<0,01	112	6,4	<0,01	70	6,0	<0,01	-	-
1200	MAX	100%	1118	96,0	0,08	912	52,3	0,02	645	55,4	0,03	46	39
	MED	70%	869	74,7	0,05	705	40,4	0,01	492	42,3	0,01	37	30
	MIN	50%	688	59,1	0,03	552	31,6	0,01	377	32,4	0,01	32	25
	-	30%	494	42,5	0,01	393	22,5	<0,01	262	22,5	<0,01	<30	21
	STOP		181	15,6	<0,01	139	8,0	<0,01	87	7,5	<0,01	-	-
1300	MAX	100%	1136	97,6	0,09	926	53,0	0,03	653	56,1	0,03	46	39
	MED	70%	887	76,2	0,05	719	41,2	0,02	501	43,0	0,02	37	30
	MIN	50%	706	60,7	0,03	566	32,4	0,01	386	33,2	0,01	32	25
	-	30%	513	44,1	0,02	407	23,3	<0,01	271	23,3	<0,01	<30	21
	STOP		200	17,2	<0,01	154	8,8	<0,01	95	8,2	<0,01	-	-
1400	MAX	100%	1154	99,2	0,10	939	53,8	0,03	660	56,8	0,03	46	39
	MED	70%	906	77,8	0,06	733	42,0	0,02	509	43,7	0,02	37	30
	MIN	50%	725	62,3	0,04	580	33,2	0,01	394	33,9	0,01	32	25
	-	30%	531	45,6	0,02	421	24,1	0,01	280	24,1	0,01	<30	21
	STOP		218	18,8	<0,01	168	9,6	<0,01	104	9,0	<0,01	-	-
1500	MAX	100%	1173	100,8	0,11	953	54,6	0,03	667	57,3	0,04	46	39
	MED	70%	924	79,4	0,07	746	42,8	0,02	516	44,4	0,02	37	30
	MIN	50%	743	63,8	0,04	594	34,0	0,01	403	34,6	0,01	32	25
	-	30%	550	47,2	0,02	435	24,9	0,01	289	24,8	0,01	<30	21
	STOP		237	20,3	<0,01	182	10,4	<0,01	113	9,7	<0,01	-	-
1600	MAX	100%	1191	102,3	0,12	965	55,3	0,04	673	57,8	0,04	46	39
	MED	70%	942	81,0	0,08	760	43,5	0,02	524	45,0	0,02	37	30
	MIN	50%	761	65,4	0,05	608	34,8	0,01	411	35,3	0,01	32	25
	-	30%	568	48,8	0,03	449	25,7	0,01	297	25,6	0,01	<30	21
	STOP		255	21,9	0,01	196	11,2	<0,01	122	10,5	<0,01	-	-
1700	MAX	100%	1695	145,6	0,27	1382	79,2	0,08	976	83,9	0,09	47	40
	MED	70%	1322	113,6	0,17	1071	61,4	0,05	747	64,2	0,05	38	31
	MIN	50%	1050	90,2	0,10	842	48,3	0,03	574	49,3	0,03	34	26
	-	30%	760	65,3	0,05	603	34,6	0,02	402	34,6	0,02	<30	22
	STOP		291	25,0	0,01	223	12,8	<0,01	139	11,9	<0,01	-	-
1800	MAX	100%	1713	147,2	0,30	1396	80,0	0,09	984	84,5	0,10	47	40
	MED	70%	1340	115,2	0,18	1085	62,2	0,05	755	64,9	0,06	38	31
	MIN	50%	1069	91,8	0,12	857	49,1	0,03	583	50,1	0,03	34	26
	-	30%	778	66,9	0,06	618	35,4	0,02	411	35,3	0,02	<30	22
	STOP		309	26,5	0,01	237	13,6	<0,01	148	12,7	<0,01	-	-
1900	MAX	100%	1732	148,8	0,32	1409	80,7	0,10	991	85,1	0,11	47	40
	MED	70%	1359	116,7	0,20	1099	63,0	0,06	763	65,6	0,06	38	31
	MIN	50%	1087	93,4	0,13	871	49,9	0,04	592	50,8	0,04	34	26
	-	30%	797	68,5	0,07	632	36,2	0,02	420	36,1	0,02	<30	22
	STOP		327	28,1	0,01	252	14,4	<0,01	156	13,4	<0,01	-	-
2000	MAX	100%	2235	192,1	0,57	1824	104,5	0,17	1290	110,9	0,19	49	41
	MED	70%	1738	149,3	0,35	1410	80,8	0,10	984	84,6	0,11	40	32
	MIN	50%	1376	118,2	0,22	1104	63,2	0,06	754	64,7	0,07	35	27
	-	30%	989	85,0	0,11	785	45,0	0,03	524	45,0	0,03	31	23
	STOP		363	31,2	0,02	279	16,0	<0,01	173	14,9	<0,01	-	-
2100	MAX	100%	2254	193,6	0,62	1838	105,3	0,18	1299	111,6	0,21	49	41
	MED	70%	1756	150,9	0,38	1424	81,6	0,11	993	85,3	0,12	40	32
	MIN	50%	1394	119,8	0,24	1118	64,1	0,07	763	65,5	0,07	35	27
	-	30%	1007	86,6	0,12	800	45,8	0,03	533	45,8	0,03	31	23
	STOP		381	32,8	0,02	293	16,8	<0,01	182	15,7	<0,01	-	-
2200	MAX	100%	2272	195,2	0,66	1852	106,1	0,20	1307	112,3	0,22	49	41
	MED	70%	1775	152,5	0,41	1438	82,4	0,12	1002	86,1	0,13	40	32
	MIN	50%	1412	121,4	0,26	1133	64,9	0,07	772	66,3	0,08	35	27
	-	30%	1026	88,1	0,14	814	46,6	0,04	542	46,6	0,04	31	23
	STOP		400	34,3	0,02	307	17,6	0,01	191	16,4	<0,01	-	-
2300	MAX	100%	2291	196,8	0,71	1866	106,9	0,21	1314	112,9	0,23	49	41
	MED	70%	1793	154,1	0,44	1452	83,2	0,13	1010	86,8	0,14	40	32
	MIN	50%	1431	122,9	0,28	1147	65,7	0,08	780	67,0	0,08	35	27
	-	30%	1044	89,7	0,15	828	47,4	0,04	551	47,4	0,04	31	23
	STOP		418	35,9	0,02	321	18,4	0,01	200	17,2	0,01	-	-
2400	MAX	100%	2309	198,4	0,76	1879	107,6	0,22	1321	113,5	0,25	49	41
	MED	70%	1811	155,6	0,47	1466	84,0	0,14	1018	87,4	0,15	40	32
	MIN	50%	1449	124,5	0,30	1161	66,5	0,09	789	67,8	0,09	35	27
	-	30%	1062	91,3	0,16	842	48,3	0,04	560	48,1	0,04	31	23
	STOP		436	37,5	0,03	335	19,2	0,01	209	17,9	0,01	-	-
2500	MAX	100%	2813	241,7	1,18	2294	131,4	0,35	1621	139,3	0,39	50	42
	MED	70%	2191	188,2	0,72	1776	101,8	0,21	1239	106,5	0,23	41	33
	MIN	50%	1738	149,3	0,45	1395	79,9	0,13	951	81,7	0,13	36	28
	-	30%	1255	107,8	0,23	996	57,1	0,07	664	57,1	0,07	32	24
	STOP		472	40,6	0,03	363	20,8	0,01	226	19,4	0,01	-	-

TKV-13 Lx20x10

Housing length L [mm]	Fan speed		Heating capacity									Sound power L _{WA} [dB]	Sound pressure L _{PA} [dB]
			75 °C / 65 °C / 20 °C			70 °C / 55 °C / 20 °C			55 °C / 45 °C / 20 °C				
			Q _h [W]	m _w [kg/h]	Δp _w [kPa]	Q _h [W]	m _w [kg/h]	Δp _w [kPa]	Q _h [W]	m _w [kg/h]	Δp _w [kPa]		
2600	MAX	100%	2831	243,2	1,25	2308	132,2	0,37	1629	140,0	0,41	50	41
	MED	70%	2209	189,8	0,76	1790	102,6	0,22	1248	107,2	0,24	41	33
	MIN	50%	1756	150,9	0,48	1409	80,7	0,14	960	82,5	0,14	36	28
	-	30%	1273	109,4	0,25	1010	57,9	0,07	673	57,9	0,07	32	23
	STOP	-	490	42,1	0,04	377	21,6	0,01	234	20,1	0,01	-	-
2700	MAX	100%	2849	244,8	1,32	2322	133,0	0,39	1637	140,7	0,44	50	41
	MED	70%	2228	191,4	0,81	1804	103,4	0,24	1256	107,9	0,26	41	32
	MIN	50%	1775	152,5	0,51	1423	81,5	0,15	969	83,2	0,15	36	27
	-	30%	1291	111,0	0,27	1025	58,7	0,08	683	58,6	0,08	32	23
	STOP	-	509	43,7	0,04	391	22,4	0,01	243	20,9	0,01	-	-
2800	MAX	100%	3353	288,1	1,91	2736	156,7	0,56	1935	166,3	0,64	50	42
	MED	70%	2607	224,0	1,15	2115	121,1	0,34	1476	126,8	0,37	41	33
	MIN	50%	2064	177,3	0,72	1656	94,9	0,21	1130	97,1	0,22	37	28
	-	30%	1483	127,5	0,37	1178	67,5	0,10	786	67,5	0,10	32	24
	STOP	-	544	46,8	0,05	418	24,0	0,01	260	22,4	0,01	-	-
2900	MAX	100%	3372	289,7	2,01	2750	157,5	0,59	1944	167,0	0,67	50	42
	MED	70%	2625	225,6	1,22	2129	121,9	0,36	1485	127,6	0,39	41	33
	MIN	50%	2082	178,9	0,77	1671	95,7	0,22	1140	97,9	0,23	37	28
	-	30%	1502	129,0	0,40	1192	68,3	0,11	795	68,3	0,11	32	24
	STOP	-	563	48,4	0,06	432	24,8	0,01	269	23,1	0,01	-	-
3000	MAX	100%	3390	291,3	2,11	2764	158,3	0,62	1952	167,7	0,70	50	42
	MED	70%	2644	227,1	1,28	2143	122,7	0,37	1494	128,4	0,41	41	33
	MIN	50%	2100	180,5	0,81	1685	96,5	0,23	1149	98,7	0,24	37	28
	-	30%	1520	130,6	0,42	1207	69,1	0,12	805	69,1	0,12	32	24
	STOP	-	581	49,9	0,06	447	25,6	0,02	278	23,9	0,01	-	-
3200	MAX	100%	3427	294,4	2,31	2792	159,9	0,68	1967	169,0	0,76	50	42
	MED	70%	2680	230,3	1,42	2171	124,3	0,41	1511	129,8	0,45	41	33
	MIN	50%	2137	183,6	0,90	1713	98,1	0,26	1166	100,2	0,27	37	28
	-	30%	1557	133,8	0,48	1235	70,8	0,13	823	70,7	0,13	32	24
	STOP	-	618	53,1	0,08	475	27,2	0,02	295	25,4	0,02	-	-
3400	MAX	100%	3463	297,6	2,53	2818	161,4	0,74	1981	170,2	0,83	50	41
	MED	70%	2717	233,5	1,56	2198	125,9	0,45	1526	131,2	0,49	41	33
	MIN	50%	2174	186,8	1,00	1741	99,7	0,28	1183	101,7	0,30	37	28
	-	30%	1594	136,9	0,54	1264	72,4	0,15	840	72,2	0,15	32	24
	STOP	-	655	56,2	0,09	503	28,8	0,02	313	26,9	0,02	-	-
3600	MAX	100%	3500	300,7	2,75	2845	162,9	0,81	1994	171,4	0,89	50	41
	MED	70%	2754	236,6	1,70	2226	127,5	0,49	1542	132,5	0,53	41	32
	MIN	50%	2210	189,9	1,10	1769	101,3	0,31	1200	103,1	0,32	37	27
	-	30%	1630	140,1	0,60	1292	74,0	0,17	858	73,7	0,17	32	23
	STOP	-	691	59,4	0,11	531	30,4	0,03	330	28,4	0,02	-	-
3800	MAX	-	4508	387,3	4,84	3677	210,6	1,43	2597	223,2	1,61	52	42
	MED	-	3513	301,8	2,94	2848	163,1	0,86	1986	170,6	0,94	43	33
	MIN	-	2788	239,6	1,85	2237	128,1	0,53	1525	131,1	0,55	38	29
	STOP	-	763	65,5	0,14	586	33,6	0,04	364	31,3	0,03	-	-
	MAX	-	4544	390,4	5,20	3704	212,2	1,54	2613	224,5	1,72	52	42
4000	MED	-	3549	305,0	3,17	2876	164,7	0,93	2003	172,1	1,01	43	33
	MIN	-	2825	242,7	2,01	2265	129,8	0,57	1543	132,6	0,60	38	28
	STOP	-	799	68,7	0,16	614	35,2	0,04	382	32,8	0,04	-	-
	MAX	-	4581	393,6	5,57	3731	213,7	1,64	2628	225,8	1,83	52	42
	MED	-	3586	308,1	3,41	2904	166,3	0,99	2020	173,5	1,08	43	33
4200	MIN	-	2862	245,9	2,17	2294	131,4	0,62	1561	134,1	0,65	38	28
	STOP	-	836	71,8	0,19	642	36,8	0,05	399	34,3	0,04	-	-
	MAX	-	4618	396,8	5,95	3758	215,2	1,75	2642	227,0	1,95	52	42
	MED	-	3623	311,3	3,66	2931	167,9	1,07	2035	174,9	1,16	43	33
	MIN	-	2898	249,0	2,34	2322	133,0	0,67	1577	135,5	0,69	38	28
4400	STOP	-	873	75,0	0,21	671	38,4	0,06	417	35,8	0,05	-	-
	MAX	-	4655	399,9	6,34	3784	216,8	1,86	2655	228,1	2,06	52	42
	MED	-	3660	314,4	3,92	2958	169,5	1,14	2050	176,2	1,23	43	33
	MIN	-	2935	252,2	2,52	2349	134,6	0,72	1594	137,0	0,74	38	28
	STOP	-	910	78,2	0,24	699	40,0	0,06	435	37,3	0,06	-	-
4800	MAX	-	5662	486,5	9,82	4616	264,4	2,90	3259	280,0	3,25	53	43
	MED	-	4418	379,6	5,98	3581	205,1	1,75	2496	214,4	1,91	44	34
	MIN	-	3513	301,8	3,78	2817	161,4	1,08	1920	165,0	1,13	39	29
	STOP	-	981	84,3	0,29	754	43,2	0,08	469	40,3	0,07	-	-
	MAX	-	5699	489,6	10,40	4644	266,0	3,07	3274	281,3	3,43	53	42
5000	MED	-	4455	382,8	6,35	3609	206,7	1,85	2512	215,9	2,02	44	34
	MIN	-	3549	305,0	4,03	2846	163,0	1,15	1938	166,5	1,20	39	29
	STOP	-	1018	87,4	0,33	782	44,8	0,09	486	41,8	0,08	-	-

Note: The level of sound pressure L_{PA} is calculated based on the level of sound power L_{WA} emitted by the noise source at a certain distance (1 m) and depends on the installation type (free space or next to a wall).

Definition of symbols

Q _h [W]	Heating capacity
m _w [kg/h]	Water flow
Δp _w [kPa]	Pressure drop on the waterside

TKV-13 Lx30x10

Housing length L [mm]	Fan speed		Heating capacity									Sound power L _{WA} [dB]	Sound pressure L _{PA} [dB]
			75 °C / 65 °C / 20 °C			70 °C / 55 °C / 20 °C			55 °C / 45 °C / 20 °C				
	AC	EC	Q _h [W]	m _w [kg/h]	Δp _w [kPa]	Q _h [W]	m _w [kg/h]	Δp _w [kPa]	Q _h [W]	m _w [kg/h]	Δp _w [kPa]		
900	MAX	100%	917	78,8	0,06	744	42,6	0,02	520	44,7	0,02	41	35
	MED	70%	683	58,6	0,03	548	31,4	0,01	373	32,1	0,01	32	26
	MIN	50%	531	45,7	0,02	426	24,4	0,01	290	25,0	0,01	<30	21
	-	30%	384	33,0	0,01	308	17,7	<0,01	210	18,0	<0,01	<30	<20
	STOP		172	14,8	<0,01	131	7,5	<0,01	80	6,9	<0,01	-	-
1000	MAX	100%	949	81,5	0,08	767	43,9	0,02	531	45,6	0,02	41	35
	MED	70%	715	61,4	0,04	571	32,7	0,01	387	33,2	0,01	32	25
	MIN	50%	563	48,4	0,03	450	25,8	0,01	304	26,2	0,01	<30	21
	-	30%	416	35,8	0,02	333	19,1	<0,01	225	19,3	<0,01	<30	<20
	STOP		204	17,5	<0,01	155	8,9	<0,01	95	8,2	<0,01	-	-
1100	MAX	100%	981	84,3	0,10	789	45,2	0,03	541	46,5	0,03	41	35
	MED	70%	747	64,1	0,06	595	34,1	0,02	399	34,3	0,02	32	25
	MIN	50%	595	51,2	0,04	474	27,2	0,01	318	27,3	0,01	<30	20
	-	30%	448	38,5	0,02	357	20,4	0,01	239	20,6	0,01	<30	<20
	STOP		236	20,3	0,01	180	10,3	<0,01	110	9,4	<0,01	-	-
1200	MAX	100%	1770	152,1	0,36	1441	82,5	0,11	1014	87,1	0,12	44	38
	MED	70%	1301	111,8	0,19	1046	59,9	0,06	718	61,7	0,06	35	28
	MIN	50%	999	85,8	0,11	803	46,0	0,03	550	47,3	0,03	<30	23
	-	30%	705	60,6	0,06	566	32,4	0,02	388	33,3	0,02	<30	<20
	STOP		279	24,0	0,01	213	12,2	<0,01	130	11,2	<0,01	-	-
1300	MAX	100%	1802	154,8	0,42	1465	83,9	0,12	1028	88,4	0,14	44	38
	MED	70%	1333	114,5	0,23	1071	61,4	0,07	733	63,0	0,07	35	28
	MIN	50%	1031	88,6	0,14	828	47,4	0,04	566	48,6	0,04	<30	23
	-	30%	737	63,3	0,07	591	33,9	0,02	404	34,7	0,02	<30	<20
	STOP		311	26,8	0,01	237	13,6	<0,01	145	12,5	<0,01	-	-
1400	MAX	100%	1834	157,6	0,48	1489	85,3	0,14	1041	89,4	0,15	44	37
	MED	70%	1365	117,3	0,27	1095	62,7	0,08	747	64,2	0,08	35	28
	MIN	50%	1063	91,3	0,16	852	48,8	0,05	581	49,9	0,05	<30	23
	-	30%	769	66,1	0,08	616	35,3	0,02	420	36,1	0,03	<30	<20
	STOP		343	29,5	0,02	262	15,0	<0,01	160	13,8	<0,01	-	-
1500	MAX	100%	1866	160,3	0,54	1511	86,6	0,16	1052	90,4	0,17	44	37
	MED	70%	1397	120,0	0,30	1119	64,1	0,09	760	65,3	0,09	35	28
	MIN	50%	1095	94,1	0,19	877	50,2	0,05	595	51,1	0,06	<30	23
	-	30%	801	68,8	0,10	641	36,7	0,03	435	37,4	0,03	<30	<20
	STOP		375	32,3	0,02	286	16,4	0,01	175	15,0	<0,01	-	-
1600	MAX	100%	1898	163,1	0,61	1534	87,9	0,18	1062	91,3	0,19	44	37
	MED	70%	1429	122,8	0,35	1143	65,4	0,10	773	66,4	0,10	35	28
	MIN	50%	1127	96,8	0,22	901	51,6	0,06	609	52,3	0,06	<30	23
	-	30%	833	71,6	0,12	665	38,1	0,03	450	38,6	0,03	<30	<20
	STOP		407	35,0	0,03	311	17,8	0,01	190	16,3	0,01	-	-
1700	MAX	100%	2687	230,9	1,32	2186	125,2	0,39	1536	131,9	0,43	46	39
	MED	70%	1984	170,4	0,72	1594	91,3	0,21	1092	93,8	0,22	36	29
	MIN	50%	1530	131,5	0,43	1229	70,4	0,12	841	72,3	0,13	31	24
	-	30%	1089	93,6	0,22	875	50,1	0,06	598	51,4	0,07	<30	21
	STOP		451	38,8	0,04	344	19,7	0,01	210	18,1	0,01	-	-
1800	MAX	100%	2719	233,6	1,46	2210	126,6	0,43	1549	133,1	0,47	46	39
	MED	70%	2016	173,2	0,80	1619	92,7	0,23	1106	95,1	0,24	36	29
	MIN	50%	1562	134,2	0,48	1254	71,8	0,14	856	73,6	0,14	31	24
	-	30%	1121	96,3	0,25	900	51,5	0,07	614	52,7	0,07	<30	21
	STOP		483	41,5	0,05	368	21,1	0,01	225	19,4	0,01	-	-
1900	MAX	100%	2751	236,4	1,60	2233	127,9	0,47	1561	134,1	0,51	46	39
	MED	70%	2048	175,9	0,88	1643	94,1	0,25	1120	96,3	0,26	36	29
	MIN	50%	1594	137,0	0,54	1279	73,2	0,15	871	74,9	0,16	31	24
	-	30%	1153	99,1	0,28	924	53,0	0,08	629	54,1	0,08	<30	20
	STOP		515	44,3	0,06	393	22,5	0,01	240	20,6	0,01	-	-
2000	MAX	100%	3540	304,2	2,81	2882	165,1	0,83	2028	174,3	0,92	47	40
	MED	70%	2602	223,6	1,52	2093	119,9	0,44	1435	123,3	0,46	38	30
	MIN	50%	1997	171,6	0,90	1606	92,0	0,26	1100	94,5	0,27	33	25
	-	30%	1409	121,1	0,45	1133	64,9	0,13	775	66,6	0,13	<30	22
	STOP		559	48,0	0,07	426	24,4	0,02	260	22,4	0,02	-	-
2100	MAX	100%	3572	306,9	3,04	2907	166,5	0,89	2043	175,5	0,99	47	40
	MED	70%	2634	226,3	1,65	2118	121,3	0,47	1451	124,6	0,50	38	30
	MIN	50%	2029	174,4	0,98	1631	93,4	0,28	1116	95,9	0,30	33	25
	-	30%	1442	123,9	0,49	1158	66,3	0,14	792	68,0	0,15	<30	21
	STOP		591	50,8	0,08	450	25,8	0,02	275	23,7	0,02	-	-
2200	MAX	100%	3604	309,7	3,27	2931	167,9	0,96	2057	176,7	1,06	47	39
	MED	70%	2666	229,1	1,79	2142	122,7	0,51	1466	125,9	0,54	38	30
	MIN	50%	2061	177,1	1,07	1656	94,8	0,31	1132	97,2	0,32	33	25
	-	30%	1474	126,6	0,55	1183	67,8	0,16	808	69,4	0,16	<30	21
	STOP		623	53,5	0,10	475	27,2	0,03	290	24,9	0,02	-	-
2300	MAX	100%	3636	312,4	3,51	2954	169,2	1,03	2069	177,8	1,14	47	39
	MED	70%	2698	231,8	1,93	2166	124,1	0,55	1480	127,2	0,58	38	30
	MIN	50%	2093	179,9	1,16	1680	96,2	0,33	1147	98,5	0,35	33	25
	-	30%	1506	129,4	0,60	1208	69,2	0,17	824	70,8	0,18	<30	21
	STOP		655	56,3	0,11	499	28,6	0,03	305	26,2	0,02	-	-
2400	MAX	100%	3668	315,2	3,76	2977	170,5	1,10	2081	178,8	1,21	47	39
	MED	70%	2730	234,6	2,08	2190	125,5	0,60	1494	128,4	0,62	38	30
	MIN	50%	2126	182,6	1,26	1705	97,6	0,36	1162	99,8	0,38	33	25
	-	30%	1538	132,1	0,66	1233	70,6	0,19	839	72,1	0,20	<30	21
	STOP		687	59,0	0,13	524	30,0	0,03	320	27,5	0,03	-	-
2500	MAX	100%	4457	383,0	5,82	3627	207,8	1,71	2550	219,1	1,90	48	40
	MED	70%	3285	282,2	3,16	2641	151,3	0,91	1809	155,5	0,96	39	30
	MIN	50%	2529	217,3	1,87	2032	116,4	0,54	1391	119,5	0,57	34	26
	-	30%	1794	154,1	0,94	1441	82,6	0,27	985	84,7	0,28	30	22
	STOP		730	62,8	0,16	557	31,9	0,04	341	29,3	0,03	-	-

TKV-13 Lx30x10

Housing length L [mm]	Fan speed		Heating capacity									Sound power L _{WA} [dB]	Sound pressure L _{PA} [dB]
			75 °C / 65 °C / 20 °C			70 °C / 55 °C / 20 °C			55 °C / 45 °C / 20 °C				
			Q _h [W]	m _w [kg/h]	Δp _w [kPa]	Q _h [W]	m _w [kg/h]	Δp _w [kPa]	Q _h [W]	m _w [kg/h]	Δp _w [kPa]		
2600	MAX	100%	4489	385,7	6,18	3651	209,1	1,82	2564	220,3	2,01	48	40
	MED	70%	3317	285,0	3,37	2666	152,7	0,97	1825	156,8	1,02	39	30
	MIN	50%	2561	220,0	2,01	2057	117,8	0,58	1407	120,9	0,61	34	26
	-	30%	1826	156,9	1,02	1466	84,0	0,29	1002	86,1	0,31	30	22
	STOP	-	762	65,5	0,18	581	33,3	0,05	355	30,5	0,04	-	-
2700	MAX	100%	4521	388,5	6,54	3675	210,5	1,92	2577	221,4	2,13	48	40
	MED	70%	3349	287,7	3,59	2690	154,1	1,03	1839	158,0	1,08	39	30
	MIN	50%	2593	222,8	2,15	2082	119,3	0,62	1422	122,2	0,65	34	25
	-	30%	1858	159,6	1,10	1491	85,4	0,32	1018	87,4	0,33	30	22
	STOP	-	795	68,3	0,20	606	34,7	0,05	370	31,8	0,04	-	-
2800	MAX	100%	5310	456,3	9,41	4323	247,6	2,77	3042	261,4	3,09	49	41
	MED	70%	3903	335,4	5,09	3139	179,8	1,46	2153	184,9	1,55	39	31
	MIN	50%	2996	257,4	3,00	2409	138,0	0,86	1650	141,8	0,91	34	26
	-	30%	2114	181,7	1,49	1699	97,3	0,43	1163	99,9	0,45	31	22
	STOP	-	838	72,0	0,23	639	36,6	0,06	391	33,6	0,05	-	-
2900	MAX	100%	5342	459,0	9,92	4348	249,0	2,92	3057	262,7	3,25	49	40
	MED	70%	3935	338,1	5,38	3164	181,3	1,55	2168	186,3	1,63	39	31
	MIN	50%	3028	260,2	3,19	2434	139,4	0,91	1666	143,2	0,96	34	26
	-	30%	2146	184,4	1,60	1724	98,8	0,46	1179	101,3	0,48	31	22
	STOP	-	870	74,8	0,26	663	38,0	0,07	406	34,9	0,06	-	-
3000	MAX	100%	5374	461,8	10,43	4372	250,4	3,07	3071	263,9	3,41	49	40
	MED	70%	3967	340,9	5,68	3189	182,7	1,63	2183	187,6	1,72	39	31
	MIN	50%	3060	262,9	3,38	2459	140,8	0,97	1682	144,5	1,02	34	26
	-	30%	2178	187,2	1,71	1749	100,2	0,49	1196	102,7	0,52	31	22
	STOP	-	902	77,5	0,29	688	39,4	0,08	421	36,1	0,06	-	-
3200	MAX	100%	5438	467,3	11,49	4419	253,1	3,37	3098	266,2	3,73	49	40
	MED	70%	4031	346,4	6,31	3238	185,5	1,81	2213	190,1	1,90	39	31
	MIN	50%	3124	268,4	3,79	2508	143,7	1,09	1713	147,2	1,14	34	26
	-	30%	2242	192,7	1,95	1799	103,1	0,56	1228	105,5	0,59	31	22
	STOP	-	966	83,0	0,36	737	42,2	0,09	450	38,7	0,08	-	-
3400	MAX	100%	5502	472,8	12,59	4466	255,8	3,69	3122	268,3	4,05	49	40
	MED	70%	4095	351,9	6,97	3286	188,2	2,00	2241	192,5	2,09	39	30
	MIN	50%	3188	273,9	4,23	2557	146,5	1,21	1742	149,7	1,26	34	26
	-	30%	2306	198,2	2,21	1849	105,9	0,63	1259	108,1	0,66	31	22
	STOP	-	1030	88,5	0,44	785	45,0	0,11	480	41,3	0,10	-	-
3600	MAX	100%	5566	478,3	13,73	4512	258,4	4,01	3145	270,2	4,38	49	40
	MED	70%	4159	357,4	7,67	3333	190,9	2,19	2268	194,9	2,28	39	30
	MIN	50%	3252	279,4	4,69	2605	149,2	1,34	1771	152,2	1,39	34	25
	-	30%	2370	203,7	2,49	1898	108,7	0,71	1289	110,8	0,74	31	22
	STOP	-	1094	94,0	0,53	834	47,8	0,14	510	43,8	0,12	-	-
3800	MAX	-	7145	613,9	24,02	5813	333,0	7,07	4086	351,0	7,85	50	41
	MED	-	5268	452,6	13,06	4235	242,6	3,75	2901	249,3	3,96	41	31
	MIN	-	4059	348,7	7,75	3262	186,8	2,22	2232	191,8	2,34	36	26
	STOP	-	1182	101,5	0,66	901	51,6	0,17	551	47,3	0,14	-	-
	MAX	-	7209	619,4	25,87	5861	335,7	7,60	4113	353,4	8,42	50	41
4000	MED	-	5332	458,1	14,15	4284	245,4	4,06	2931	251,8	4,28	41	31
	MIN	-	4123	354,2	8,46	3311	189,7	2,43	2263	194,5	2,55	36	26
	STOP	-	1246	107,0	0,77	950	54,4	0,20	581	49,9	0,17	-	-
	MAX	-	7273	624,9	27,78	5908	338,4	8,15	4139	355,6	9,00	50	41
	MED	-	5396	463,6	15,29	4333	248,2	4,38	2960	254,3	4,60	41	31
4200	MIN	-	4187	359,7	9,21	3361	192,5	2,64	2294	197,1	2,76	36	26
	STOP	-	1310	112,5	0,90	998	57,2	0,23	610	52,5	0,20	-	-
	MAX	-	7337	630,4	29,74	5955	341,1	8,71	4163	357,7	9,57	50	40
	MED	-	5460	469,1	16,47	4381	250,9	4,71	2988	256,7	4,93	41	31
	MIN	-	4251	365,2	9,98	3409	195,3	2,85	2323	199,6	2,98	36	26
4400	STOP	-	1374	118,0	1,04	1047	60,0	0,27	640	55,0	0,23	-	-
	MAX	-	7401	635,9	31,76	6001	343,7	9,28	4186	359,6	10,16	50	40
	MED	-	5524	474,6	17,70	4429	253,7	5,05	3015	259,0	5,27	41	31
	MIN	-	4315	370,7	10,80	3458	198,1	3,08	2352	202,1	3,21	36	26
	STOP	-	1438	123,5	1,20	1096	62,8	0,31	670	57,6	0,26	-	-
4800	MAX	-	8979	771,4	48,95	7303	418,3	14,39	5128	440,6	15,97	51	41
	MED	-	6633	569,9	26,72	5331	305,4	7,67	3649	313,5	8,09	42	32
	MIN	-	5122	440,1	15,93	4115	235,7	4,57	2814	241,8	4,81	37	27
	STOP	-	1525	131,0	1,41	1163	66,6	0,36	711	61,1	0,31	-	-
	MAX	-	9043	776,9	51,89	7350	421,0	15,24	5154	442,9	16,86	51	41
5000	MED	-	6697	575,4	28,46	5380	308,2	8,16	3678	316,0	8,59	42	31
	MIN	-	5186	445,6	17,06	4164	238,5	4,89	2844	244,4	5,13	37	27
	STOP	-	1589	136,5	1,60	1211	69,4	0,41	741	63,6	0,35	-	-

Note: The level of sound pressure L_{PA} is calculated based on the level of sound power L_{WA} emitted by the noise source at a certain distance (1 m) and depends on the installation type (free space or next to a wall).

Definition of symbols

- Q_h [W] Heating capacity
- m_w [kg/h] Water flow
- Δp_w [kPa] Pressure drop on the waterside

TKV-13 Lx40x10

Housing length L [mm]	Fan speed		Heating capacity									Sound power L _{WA} [dB]	Sound pressure L _{PA} [dB]
			75 °C / 65 °C / 20 °C			70 °C / 55 °C / 20 °C			55 °C / 45 °C / 20 °C				
	AC	EC	Q _h [W]	m _w [kg/h]	Δp _w [kPa]	Q _h [W]	m _w [kg/h]	Δp _w [kPa]	Q _h [W]	m _w [kg/h]	Δp _w [kPa]		
900	MAX	100%	1162	99,8	0,15	939	53,8	0,04	650	55,9	0,05	42	36
	MED	70%	874	75,1	0,08	701	40,1	0,02	477	41,0	0,02	32	26
	MIN	50%	690	59,3	0,05	552	31,6	0,01	374	32,1	0,02	<30	21
	-	30%	513	44,1	0,03	409	23,4	0,01	275	23,6	0,01	<30	<20
	STOP		259	22,3	0,01	197	11,3	<0,01	120	10,3	<0,01	-	-
1000	MAX	100%	1205	103,5	0,19	970	55,5	0,05	665	57,2	0,06	42	35
	MED	70%	917	78,8	0,11	733	42,0	0,03	495	42,6	0,03	32	26
	MIN	50%	733	63,0	0,07	584	33,5	0,02	393	33,7	0,02	<30	21
	-	30%	556	47,8	0,04	442	25,3	0,01	295	25,4	0,01	<30	<20
	STOP		302	26,0	0,01	230	13,2	<0,01	140	12,0	<0,01	-	-
1100	MAX	100%	1248	107,2	0,23	1000	57,3	0,07	679	58,4	0,07	42	35
	MED	70%	960	82,5	0,14	764	43,8	0,04	512	44,0	0,04	32	26
	MIN	50%	776	66,7	0,09	616	35,3	0,03	411	35,3	0,03	<30	21
	-	30%	599	51,5	0,05	475	27,2	0,01	315	27,0	0,01	<30	<20
	STOP		346	29,7	0,02	263	15,1	<0,01	160	13,7	<0,01	-	-
1200	MAX	100%	2237	192,2	0,85	1813	103,8	0,25	1263	108,6	0,27	45	38
	MED	70%	1661	142,7	0,47	1335	76,5	0,13	915	78,6	0,14	35	28
	MIN	50%	1293	111,1	0,28	1037	59,4	0,08	706	60,6	0,08	<30	24
	-	30%	939	80,7	0,15	750	43,0	0,04	508	43,6	0,04	<30	<20
	STOP		432	37,1	0,03	328	18,8	0,01	200	17,2	0,01	-	-
1300	MAX	100%	2280	195,9	0,99	1846	105,7	0,29	1283	110,2	0,31	45	38
	MED	70%	1704	146,4	0,55	1369	78,4	0,16	936	80,4	0,17	35	28
	MIN	50%	1337	114,9	0,34	1070	61,3	0,10	727	62,5	0,10	<30	23
	-	30%	982	84,4	0,18	784	44,9	0,05	529	45,5	0,05	<30	<20
	STOP		475	40,8	0,04	361	20,7	0,01	220	18,9	0,01	-	-
1400	MAX	100%	2323	199,6	1,14	1877	107,5	0,33	1300	111,7	0,36	45	38
	MED	70%	1747	150,1	0,64	1401	80,3	0,18	955	82,0	0,19	35	28
	MIN	50%	1380	118,6	0,40	1103	63,2	0,11	747	64,2	0,12	<30	23
	-	30%	1025	88,1	0,22	818	46,8	0,06	550	47,3	0,06	<30	<20
	STOP		518	44,5	0,06	394	22,6	0,01	240	20,6	0,01	-	-
1500	MAX	100%	2367	203,3	1,30	1908	109,3	0,37	1316	113,1	0,40	45	38
	MED	70%	1791	153,9	0,74	1434	82,1	0,21	973	83,6	0,22	35	28
	MIN	50%	1423	122,3	0,47	1136	65,1	0,13	767	65,9	0,14	<30	23
	-	30%	1069	91,8	0,26	851	48,7	0,07	571	49,0	0,08	<30	<20
	STOP		562	48,3	0,07	427	24,5	0,02	260	22,3	0,02	-	-
1600	MAX	100%	2410	207,1	1,46	1939	111,1	0,42	1331	114,3	0,45	45	38
	MED	70%	1834	157,6	0,85	1465	83,9	0,24	990	85,1	0,25	35	28
	MIN	50%	1466	126,0	0,54	1169	66,9	0,15	785	67,5	0,16	<30	23
	-	30%	1112	95,5	0,31	884	50,6	0,09	591	50,7	0,09	<30	<20
	STOP		605	52,0	0,09	460	26,3	0,02	280	24,0	0,02	-	-
1700	MAX	100%	3398	292,0	3,14	2752	157,7	0,92	1915	164,5	1,00	46	39
	MED	70%	2535	217,8	1,75	2037	116,7	0,50	1393	119,7	0,53	37	30
	MIN	50%	1983	170,4	1,07	1589	91,0	0,31	1080	92,8	0,32	32	25
	-	30%	1452	124,7	0,57	1160	66,4	0,16	783	67,3	0,17	<30	21
	STOP		691	59,4	0,13	525	30,1	0,03	319	27,4	0,03	-	-
1800	MAX	100%	3442	295,7	3,47	2784	159,5	1,01	1933	166,1	1,09	46	39
	MED	70%	2578	221,5	1,95	2070	118,5	0,56	1413	121,4	0,58	37	29
	MIN	50%	2027	174,1	1,20	1622	92,9	0,34	1101	94,6	0,35	32	24
	-	30%	1495	128,5	0,65	1193	68,3	0,19	805	69,1	0,19	<30	21
	STOP		734	63,1	0,16	558	32,0	0,04	339	29,2	0,03	-	-
1900	MAX	100%	3485	299,4	3,80	2816	161,3	1,10	1950	167,6	1,19	46	39
	MED	70%	2621	225,2	2,15	2102	120,4	0,62	1432	123,1	0,64	37	29
	MIN	50%	2070	177,8	1,34	1655	94,8	0,38	1121	96,3	0,39	32	24
	-	30%	1538	132,2	0,74	1227	70,3	0,21	825	70,9	0,21	<30	21
	STOP		778	66,8	0,19	591	33,9	0,05	359	30,9	0,04	-	-
2000	MAX	100%	4474	384,4	6,68	3626	207,7	1,95	2527	217,1	2,13	48	40
	MED	70%	3322	285,4	3,68	2671	153,0	1,06	1830	157,2	1,12	38	30
	MIN	50%	2587	222,3	2,23	2074	118,8	0,64	1412	121,3	0,67	33	25
	-	30%	1878	161,4	1,18	1501	86,0	0,33	1015	87,2	0,34	<30	22
	STOP		864	74,2	0,25	657	37,6	0,06	399	34,3	0,05	-	-
2100	MAX	100%	4517	388,1	7,23	3659	209,6	2,11	2547	218,8	2,30	48	40
	MED	70%	3365	289,1	4,01	2704	154,9	1,15	1851	159,0	1,21	38	30
	MIN	50%	2630	226,0	2,45	2107	120,7	0,70	1433	123,1	0,73	33	25
	-	30%	1921	165,1	1,31	1535	87,9	0,37	1037	89,1	0,38	<30	22
	STOP		907	77,9	0,29	690	39,5	0,07	419	36,0	0,06	-	-
2200	MAX	100%	4560	391,8	7,79	3691	211,4	2,27	2566	220,4	2,47	48	40
	MED	70%	3408	292,9	4,35	2738	156,8	1,25	1871	160,8	1,31	38	30
	MIN	50%	2673	229,7	2,68	2141	122,6	0,76	1454	124,9	0,79	33	25
	-	30%	1964	168,8	1,45	1569	89,9	0,41	1059	91,0	0,42	<30	22
	STOP		950	81,6	0,34	723	41,4	0,09	439	37,7	0,07	-	-
2300	MAX	100%	4603	395,5	8,38	3723	213,3	2,44	2583	222,0	2,64	48	40
	MED	70%	3452	296,6	4,71	2770	158,7	1,35	1891	162,4	1,41	38	30
	MIN	50%	2717	233,4	2,92	2174	124,5	0,83	1474	126,7	0,86	33	25
	-	30%	2008	172,5	1,59	1602	91,8	0,45	1080	92,8	0,46	<30	21
	STOP		993	85,4	0,39	755	43,3	0,10	459	39,5	0,08	-	-
2400	MAX	100%	4647	399,2	8,98	3755	215,1	2,61	2600	223,4	2,81	48	40
	MED	70%	3495	300,3	5,08	2803	160,5	1,45	1909	164,1	1,52	38	30
	MIN	50%	2760	237,1	3,17	2207	126,4	0,90	1494	128,4	0,93	33	25
	-	30%	2051	176,2	1,75	1635	93,7	0,49	1101	94,6	0,50	<30	21
	STOP		1037	89,1	0,45	788	45,2	0,11	479	41,2	0,10	-	-
2500	MAX	100%	5635	484,2	13,86	4565	261,5	4,04	3179	273,1	4,41	49	40
	MED	70%	4196	360,5	7,68	3372	193,2	2,21	2308	198,3	2,33	39	31
	MIN	50%	3277	281,5	4,68	2626	150,4	1,34	1786	153,5	1,39	34	26
	-	30%	2391	205,4	2,49	1910	109,4	0,71	1291	110,9	0,73	30	22
	STOP		1123	96,5	0,55	854	48,9	0,14	519	44,6	0,12	-	-
2600	MAX	100%	5679	487,9	14,73	4598	263,4	4,29	3198	274,8	4,67	49	40
	MED	70%	4239	364,2	8,21	3405	195,1	2,35	2329	200,1	2,48	39	31
	MIN	50%	3320	285,3	5,04	2659	152,3	1,44	1807	155,3	1,49	34	26
	-	30%	2434	209,1	2,71	1944	111,3	0,77	1313	112,8	0,79	30	22
	STOP		1166	100,2	0,62	887	50,8	0,16	539	46,3	0,13	-	-

TKV-13 Lx40x10

Housing length L [mm]	Fan speed		Heating capacity									Sound power L _{WA} [dB]	Sound pressure L _{PA} [dB]
			75 °C / 65 °C / 20 °C			70 °C / 55 °C / 20 °C			55 °C / 45 °C / 20 °C				
			Q _h [W]	m _w [kg/h]	Δp _w [kPa]	Q _h [W]	m _w [kg/h]	Δp _w [kPa]	Q _h [W]	m _w [kg/h]	Δp _w [kPa]		
2700	MAX	100%	5722	491,6	15,63	4630	265,2	4,55	3216	276,3	4,94	49	40
	MED	70%	4282	367,9	8,75	3438	197,0	2,51	2349	201,8	2,63	39	31
	MIN	50%	3363	289,0	5,40	2693	154,2	1,54	1828	157,1	1,59	34	26
	-	30%	2477	212,8	2,93	1977	113,3	0,83	1334	114,6	0,85	30	22
	STOP	-	1209	103,9	0,70	920	52,7	0,18	559	48,0	0,15	-	-
2800	MAX	100%	6710	576,6	22,42	5439	311,5	6,54	3790	325,7	7,15	49	41
	MED	70%	4983	428,1	12,36	4006	229,5	3,55	2745	235,8	3,75	40	31
	MIN	50%	3880	333,4	7,50	3111	178,2	2,14	2117	181,9	2,23	35	26
	-	30%	2817	242,0	3,95	2251	129,0	1,12	1523	130,8	1,15	31	23
	STOP	-	1296	111,3	0,84	985	56,4	0,21	599	51,5	0,18	-	-
2900	MAX	100%	6754	580,3	23,64	5472	313,4	6,90	3811	327,4	7,53	49	41
	MED	70%	5026	431,8	13,09	4040	231,4	3,76	2766	237,7	3,97	40	31
	MIN	50%	3924	337,1	7,98	3144	180,1	2,28	2139	183,8	2,37	35	26
	-	30%	2860	245,8	4,24	2285	130,9	1,20	1545	132,7	1,24	31	23
	STOP	-	1339	115,0	0,93	1018	58,3	0,24	619	53,2	0,20	-	-
3000	MAX	100%	6797	584,0	24,89	5505	315,3	7,26	3830	329,1	7,90	49	41
	MED	70%	5069	435,6	13,85	4073	233,3	3,97	2787	239,4	4,18	40	31
	MIN	50%	3967	340,8	8,48	3178	182,0	2,42	2160	185,6	2,51	35	26
	-	30%	2903	249,5	4,54	2319	132,8	1,29	1567	134,6	1,32	31	22
	STOP	-	1382	118,8	1,03	1051	60,2	0,26	639	54,9	0,22	-	-
3200	MAX	100%	6883	591,4	27,47	5569	319,0	7,99	3866	332,2	8,67	49	41
	MED	70%	5156	443,0	15,41	4139	237,1	4,42	2826	242,8	4,63	40	31
	MIN	50%	4053	348,3	9,53	3244	185,8	2,71	2202	189,2	2,81	35	26
	-	30%	2990	256,9	5,18	2386	136,7	1,47	1609	138,3	1,50	31	22
	STOP	-	1469	126,2	1,25	1117	64,0	0,32	679	58,3	0,27	-	-
3400	MAX	100%	6970	598,9	30,16	5632	322,6	8,75	3900	335,1	9,44	49	40
	MED	70%	5242	450,4	17,06	4204	240,8	4,88	2864	246,1	5,09	40	31
	MIN	50%	4140	355,7	10,64	3310	189,6	3,02	2242	192,6	3,12	35	26
	-	30%	3076	264,3	5,88	2453	140,5	1,66	1651	141,9	1,69	31	22
	STOP	-	1555	133,6	1,50	1182	67,7	0,39	719	61,8	0,32	-	-
3600	MAX	100%	7056	606,3	32,96	5694	326,2	9,54	3932	337,8	10,23	49	40
	MED	70%	5329	457,9	18,80	4269	244,5	5,36	2901	249,2	5,57	40	31
	MIN	50%	4226	363,1	11,82	3376	193,4	3,35	2281	195,9	3,44	35	26
	-	30%	3163	271,8	6,62	2519	144,3	1,87	1692	145,4	1,89	31	22
	STOP	-	1642	141,0	1,78	1248	71,5	0,46	759	65,2	0,38	-	-
3800	MAX	-	9034	776,2	57,36	7318	419,2	16,73	5094	437,7	18,24	51	41
	MED	-	6730	578,3	31,84	5409	309,8	9,14	3702	318,1	9,63	41	32
	MIN	-	5260	452,0	19,45	4215	241,4	5,55	2866	246,3	5,77	36	27
	STOP	-	1814	155,9	2,31	1379	79,0	0,59	838	72,0	0,49	-	-
	MAX	-	9120	783,6	61,88	7383	422,9	18,02	5131	440,9	19,59	51	41
4000	MED	-	6817	585,7	34,57	5475	313,6	9,91	3742	321,5	10,42	41	31
	MIN	-	5347	459,4	21,27	4282	245,3	6,06	2908	249,9	6,29	36	27
	STOP	-	1900	163,3	2,69	1445	82,8	0,69	878	75,5	0,57	-	-
	MAX	-	9207	791,0	66,53	7446	426,5	19,34	5167	443,9	20,95	51	41
	MED	-	6903	593,1	37,41	5541	317,4	10,71	3781	324,9	11,22	41	31
4200	MIN	-	5433	466,8	23,17	4348	249,1	6,60	2949	253,4	6,83	36	26
	STOP	-	1987	170,7	3,10	1511	86,5	0,80	918	78,9	0,66	-	-
	MAX	-	9293	798,5	71,33	7510	430,1	20,70	5200	446,8	22,34	51	41
	MED	-	6990	600,6	40,35	5606	321,1	11,53	3819	328,1	12,05	41	31
	MIN	-	5520	474,2	25,16	4414	252,8	7,15	2989	256,8	7,38	36	26
4400	STOP	-	2073	178,2	3,55	1577	90,3	0,91	958	82,3	0,76	-	-
	MAX	-	9380	805,9	76,27	7572	433,7	22,09	5232	449,6	23,73	51	41
	MED	-	7076	608,0	43,41	5670	324,8	12,39	3856	331,3	12,89	41	31
	MIN	-	5606	481,7	27,25	4479	256,6	7,73	3028	260,2	7,95	36	26
	STOP	-	2160	185,6	4,04	1642	94,1	1,04	998	85,8	0,86	-	-
4800	MAX	-	11357	975,8	117,11	9196	526,7	34,12	6396	549,5	37,14	52	41
	MED	-	8478	728,4	65,26	6811	390,1	18,72	4658	400,2	19,70	42	32
	MIN	-	6640	570,5	40,03	5319	304,7	11,42	3614	310,6	11,86	37	27
	STOP	-	2332	200,4	4,94	1773	101,6	1,27	1078	92,6	1,06	-	-
	MAX	-	11444	983,2	124,27	9260	530,4	36,17	6432	552,6	39,26	52	41
5000	MED	-	8564	735,8	69,60	6877	393,9	19,94	4697	403,6	20,94	42	32
	MIN	-	6727	577,9	42,94	5385	308,5	12,23	3656	314,1	12,68	37	27
	STOP	-	2419	207,8	5,55	1839	105,3	1,43	1118	96,1	1,19	-	-

Note: The level of sound pressure L_{PA} is calculated based on the level of sound power L_{WA} emitted by the noise source at a certain distance (1 m) and depends on the installation type (free space or next to a wall).

Other technical data for TKV-13 Lx20x10, Lx30x10 and Lx40x10

Housing length [mm]	Fan designation (max. no. of fans)	Water connectors dimensions ["]	Air flow [m³/h]	Max. input power [W]	Max. input current [A]
900-1100	1 1	1/2	80	12	0,10
1200-1600	1 2	1/2	160	24	0,20
1700-1900	2 3	1/2	240	36	0,30
2000-2400	2 4	1/2	320	48	0,40
2500-2700	3 5	1/2	400	60	0,50
2800-3600	3 6	1/2	480	72	0,60
3800-4600	4 8	1/2	640	96	0,80
4800-5000	5 10	1/2	800	120	1,00

Definition of symbols

Q _h [W]	Heating capacity
m _w [kg/h]	Water flow
Δp _w [kPa]	Pressure drop on the waterside

TKV-13 Lx20x14

Housing length L [mm]	Fan speed		Heating capacity									Sound power L _{WA} [dB]	Sound pressure L _{PA} [dB]
			75 °C / 65 °C / 20 °C			70 °C / 55 °C / 20 °C			55 °C / 45 °C / 20 °C				
	AC	EC	Q _h [W]	m _w [kg/h]	Δp _w [kPa]	Q _h [W]	m _w [kg/h]	Δp _w [kPa]	Q _h [W]	m _w [kg/h]	Δp _w [kPa]		
900	MAX	100%	807	69,4	0,05	652	37,3	0,01	450	38,6	0,01	42	36
	MED	70%	602	51,7	0,03	489	28,0	0,01	344	29,5	0,01	33	27
	MIN	50%	465	40,0	0,02	373	21,4	<0,01	254	21,8	<0,01	<30	22
	-	30%	329	28,3	0,01	260	14,9	<0,01	171	14,7	<0,01	<30	<20
	STOP		126	10,8	<0,01	97	5,5	<0,01	60	5,2	<0,01	-	-
1000	MAX	100%	829	71,2	0,06	667	38,2	0,02	457	39,3	0,02	42	36
	MED	70%	623	53,6	0,03	505	28,9	0,01	352	30,2	0,01	33	27
	MIN	50%	487	41,8	0,02	389	22,3	0,01	263	22,6	0,01	<30	22
	-	30%	351	30,1	0,01	277	15,8	<0,01	182	15,6	<0,01	<30	<20
	STOP		148	12,7	<0,01	113	6,5	<0,01	70	6,0	<0,01	-	-
1100	MAX	100%	851	73,1	0,07	682	39,0	0,02	463	39,8	0,02	42	36
	MED	70%	645	55,4	0,04	520	29,8	0,01	359	30,8	0,01	33	27
	MIN	50%	508	43,7	0,03	405	23,2	0,01	272	23,4	0,01	<30	22
	-	30%	372	32,0	0,01	293	16,8	<0,01	192	16,5	<0,01	<30	<20
	STOP		170	14,6	<0,01	130	7,5	<0,01	81	6,9	<0,01	-	-
1200	MAX	100%	1571	135,0	0,28	1271	72,8	0,08	882	75,8	0,09	45	39
	MED	70%	1160	99,6	0,15	946	54,2	0,05	669	57,5	0,05	36	30
	MIN	50%	887	76,2	0,09	712	40,8	0,03	487	41,9	0,03	31	25
	-	30%	615	52,8	0,04	486	27,9	0,01	322	27,7	0,01	<30	21
	STOP		209	18,0	0,01	160	9,2	<0,01	99	8,5	<0,01	-	-
1300	MAX	100%	1593	136,9	0,33	1287	73,7	0,09	891	76,6	0,10	45	39
	MED	70%	1181	101,5	0,18	963	55,1	0,05	679	58,3	0,06	36	30
	MIN	50%	908	78,0	0,11	729	41,8	0,03	498	42,8	0,03	31	25
	-	30%	636	54,7	0,05	503	28,8	0,01	333	28,6	0,01	<30	21
	STOP		231	19,8	0,01	177	10,1	<0,01	110	9,4	<0,01	-	-
1400	MAX	100%	1615	138,8	0,37	1303	74,6	0,11	900	77,3	0,12	45	39
	MED	70%	1203	103,4	0,21	979	56,1	0,06	688	59,1	0,07	36	29
	MIN	50%	930	79,9	0,12	746	42,7	0,04	508	43,6	0,04	31	25
	-	30%	658	56,5	0,06	520	29,8	0,02	343	29,5	0,02	<30	21
	STOP		252	21,7	0,01	194	11,1	<0,01	120	10,3	<0,01	-	-
1500	MAX	100%	1637	140,6	0,42	1318	75,5	0,12	907	77,9	0,13	45	39
	MED	70%	1225	105,2	0,23	994	57,0	0,07	696	59,8	0,08	36	29
	MIN	50%	952	81,8	0,14	762	43,6	0,04	517	44,4	0,04	31	24
	-	30%	680	58,4	0,07	537	30,7	0,02	353	30,4	0,02	<30	20
	STOP		274	23,6	0,01	210	12,0	<0,01	130	11,2	<0,01	-	-
1600	MAX	100%	1658	142,5	0,47	1333	76,4	0,13	914	78,5	0,14	45	38
	MED	70%	1247	107,1	0,26	1010	57,9	0,08	703	60,4	0,08	36	29
	MIN	50%	973	83,6	0,16	778	44,6	0,05	526	45,2	0,05	31	24
	-	30%	702	60,3	0,08	553	31,7	0,02	363	31,2	0,02	<30	20
	STOP		296	25,4	0,01	227	13,0	<0,01	141	12,1	<0,01	-	-
1700	MAX	100%	2379	204,4	1,04	1923	110,2	0,30	1333	114,5	0,33	47	40
	MED	70%	1761	151,3	0,57	1436	82,2	0,17	1013	87,1	0,19	38	31
	MIN	50%	1352	116,1	0,34	1085	62,2	0,10	741	63,7	0,10	33	26
	-	30%	944	81,1	0,16	746	42,8	0,05	493	42,4	0,04	<30	22
	STOP		335	28,8	0,02	257	14,7	0,01	159	13,7	<0,01	-	-
1800	MAX	100%	2401	206,3	1,14	1939	111,1	0,33	1341	115,3	0,35	47	40
	MED	70%	1783	153,2	0,63	1452	83,2	0,18	1023	87,9	0,21	38	31
	MIN	50%	1373	118,0	0,37	1102	63,1	0,11	751	64,6	0,11	33	26
	-	30%	965	83,0	0,18	763	43,7	0,05	504	43,3	0,05	<30	22
	STOP		357	30,7	0,03	274	15,7	0,01	169	14,6	0,01	-	-
1900	MAX	100%	2422	208,1	1,24	1955	112,0	0,36	1349	115,9	0,38	47	40
	MED	70%	1805	155,1	0,69	1468	84,1	0,20	1031	88,6	0,22	38	31
	MIN	50%	1395	119,9	0,41	1118	64,1	0,12	761	65,4	0,12	33	26
	-	30%	987	84,8	0,21	780	44,7	0,06	514	44,2	0,06	<30	22
	STOP		378	32,5	0,03	290	16,6	0,01	180	15,5	0,01	-	-
2000	MAX	100%	3143	270,0	2,22	2542	145,6	0,64	1764	151,6	0,70	48	41
	MED	70%	2319	199,3	1,21	1892	108,4	0,36	1337	114,9	0,40	39	32
	MIN	50%	1773	152,4	0,71	1425	81,6	0,20	974	83,7	0,21	34	27
	-	30%	1229	105,6	0,34	973	55,7	0,09	644	55,3	0,09	30	23
	STOP		418	35,9	0,04	320	18,4	0,01	198	17,1	0,01	-	-
2100	MAX	100%	3165	271,9	2,38	2559	146,6	0,69	1774	152,4	0,75	48	41
	MED	70%	2341	201,1	1,30	1909	109,3	0,39	1348	115,8	0,43	39	32
	MIN	50%	1795	154,2	0,77	1441	82,6	0,22	985	84,6	0,23	34	27
	-	30%	1251	107,5	0,37	989	56,7	0,10	654	56,2	0,10	30	23
	STOP		439	37,8	0,05	337	19,3	0,01	209	17,9	0,01	-	-
2200	MAX	100%	3186	273,8	2,56	2575	147,5	0,74	1783	153,2	0,80	48	41
	MED	70%	2363	203,0	1,41	1925	110,3	0,41	1357	116,6	0,46	39	31
	MIN	50%	1817	156,1	0,83	1458	83,5	0,24	995	85,5	0,25	34	27
	-	30%	1273	109,4	0,41	1006	57,6	0,11	665	57,1	0,11	30	23
	STOP		461	39,6	0,05	354	20,3	0,01	219	18,8	0,01	-	-
2300	MAX	100%	3208	275,6	2,73	2591	148,4	0,79	1791	153,9	0,85	48	41
	MED	70%	2385	204,9	1,51	1941	111,2	0,44	1366	117,4	0,50	39	31
	MIN	50%	1838	158,0	0,90	1475	84,5	0,26	1005	86,4	0,27	34	26
	-	30%	1294	111,2	0,44	1023	58,6	0,12	676	58,0	0,12	30	22
	STOP		483	41,5	0,06	370	21,2	0,02	229	19,7	0,02	-	-
2400	MAX	100%	3230	277,5	2,91	2606	149,3	0,84	1799	154,6	0,90	48	40
	MED	70%	2406	206,7	1,62	1957	112,1	0,48	1375	118,1	0,53	39	31
	MIN	50%	1860	159,8	0,97	1491	85,4	0,28	1015	87,2	0,29	34	26
	-	30%	1316	113,1	0,48	1040	59,6	0,13	686	58,9	0,13	30	22
	STOP		505	43,4	0,07	387	22,2	0,02	240	20,6	0,02	-	-
2500	MAX	100%	3950	339,4	4,57	3194	183,0	1,33	2215	190,3	1,44	49	41
	MED	70%	2921	251,0	2,50	2382	136,4	0,74	1682	144,5	0,83	40	32
	MIN	50%	2238	192,3	1,47	1798	103,0	0,42	1228	105,6	0,44	35	27
	-	30%	1558	133,9	0,71	1233	70,6	0,20	815	70,1	0,19	31	23
	STOP		544	46,7	0,09	417	23,9	0,02	258	22,2	0,02	-	-

TKV-13 Lx20x14

Housing length L [mm]	Fan speed		Heating capacity									Sound power L _{WA} [dB]	Sound pressure L _{PA} [dB]
			75 °C / 65 °C / 20 °C			70 °C / 55 °C / 20 °C			55 °C / 45 °C / 20 °C				
			Q _h [W]	m _w [kg/h]	Δp _w [kPa]	Q _h [W]	m _w [kg/h]	Δp _w [kPa]	Q _h [W]	m _w [kg/h]	Δp _w [kPa]		
2600	MAX	100%	3972	341,3	4,83	3210	183,9	1,40	2224	191,1	1,52	49	41
	MED	70%	2943	252,8	2,65	2398	137,4	0,78	1692	145,4	0,88	40	32
	MIN	50%	2260	194,2	1,57	1814	103,9	0,45	1239	106,5	0,47	35	27
	-	30%	1580	135,8	0,77	1249	71,6	0,21	826	71,0	0,21	31	23
	STOP	-	566	48,6	0,10	434	24,9	0,03	269	23,1	0,02	-	-
2700	MAX	100%	3994	343,1	5,11	3226	184,8	1,48	2233	191,9	1,60	49	41
	MED	70%	2964	254,7	2,81	2415	138,3	0,83	1701	146,2	0,93	40	32
	MIN	50%	2282	196,0	1,67	1831	104,9	0,48	1249	107,3	0,50	35	27
	-	30%	1602	137,6	0,82	1266	72,5	0,23	837	71,9	0,22	31	23
	STOP	-	587	50,5	0,11	451	25,8	0,03	279	24,0	0,02	-	-
2800	MAX	100%	4714	405,1	7,42	3813	218,4	2,16	2647	227,4	2,34	50	42
	MED	70%	3479	298,9	4,04	2838	162,6	1,20	2006	172,4	1,34	41	33
	MIN	50%	2660	228,5	2,36	2137	122,4	0,68	1461	125,6	0,71	36	28
	-	30%	1844	158,4	1,13	1459	83,6	0,32	965	82,9	0,31	32	24
	STOP	-	627	53,8	0,13	481	27,5	0,03	298	25,6	0,03	-	-
2900	MAX	100%	4736	406,9	7,79	3830	219,4	2,27	2656	228,2	2,45	50	42
	MED	70%	3501	300,8	4,26	2855	163,5	1,26	2016	173,3	1,41	41	32
	MIN	50%	2681	230,4	2,50	2154	123,4	0,72	1472	126,5	0,75	36	28
	-	30%	1866	160,3	1,21	1476	84,5	0,34	976	83,9	0,33	32	24
	STOP	-	648	55,7	0,15	497	28,5	0,04	308	26,5	0,03	-	-
3000	MAX	100%	4758	408,8	8,17	3846	220,3	2,37	2666	229,0	2,57	50	42
	MED	70%	3522	302,6	4,48	2872	164,5	1,32	2026	174,1	1,48	41	32
	MIN	50%	2703	232,3	2,64	2170	124,3	0,76	1483	127,4	0,79	36	27
	-	30%	1887	162,2	1,29	1493	85,5	0,36	987	84,8	0,35	32	23
	STOP	-	670	57,6	0,16	514	29,4	0,04	318	27,4	0,04	-	-
3200	MAX	100%	4801	412,5	8,95	3878	222,1	2,60	2683	230,5	2,80	50	41
	MED	70%	3566	306,4	4,94	2904	166,3	1,46	2045	175,7	1,62	41	32
	MIN	50%	2747	236,0	2,93	2204	126,2	0,84	1503	129,1	0,88	36	27
	-	30%	1931	165,9	1,45	1526	87,4	0,40	1008	86,6	0,39	32	23
	STOP	-	714	61,3	0,20	547	31,4	0,05	339	29,1	0,04	-	-
3400	MAX	100%	4845	416,3	9,76	3909	223,9	2,82	2699	231,9	3,03	50	41
	MED	70%	3609	310,1	5,42	2936	168,2	1,59	2063	177,2	1,77	41	32
	MIN	50%	2790	239,7	3,24	2237	128,1	0,92	1523	130,8	0,96	36	27
	-	30%	1974	169,6	1,62	1560	89,3	0,45	1029	88,4	0,44	32	23
	STOP	-	757	65,0	0,24	581	33,3	0,06	360	30,9	0,05	-	-
3600	MAX	100%	4888	420,0	10,59	3940	225,7	3,06	2713	233,1	3,26	50	41
	MED	70%	3653	313,8	5,91	2968	170,0	1,73	2079	178,6	1,92	41	32
	MIN	50%	2834	243,5	3,56	2269	130,0	1,01	1542	132,5	1,05	36	27
	-	30%	2018	173,4	1,80	1593	91,2	0,50	1049	90,2	0,49	32	23
	STOP	-	800	68,8	0,28	614	35,2	0,07	380	32,7	0,06	-	-
3800	MAX	-	6329	543,8	18,85	5117	293,1	5,48	3548	304,8	5,92	51	42
	MED	-	4682	402,3	10,31	3818	218,7	3,05	2695	231,6	3,42	42	33
	MIN	-	3590	308,4	6,06	2883	165,1	1,74	1970	169,2	1,83	37	28
	STOP	-	879	75,5	0,36	674	38,6	0,10	418	35,9	0,08	-	-
	MAX	-	6373	547,5	20,22	5150	295,0	5,87	3566	306,4	6,33	51	42
4000	MED	-	4726	406,0	11,12	3851	220,6	3,28	2715	233,2	3,67	42	33
	MIN	-	3633	312,2	6,57	2916	167,0	1,88	1990	171,0	1,97	37	28
	STOP	-	922	79,3	0,42	708	40,5	0,11	438	37,7	0,10	-	-
	MAX	-	6416	551,3	21,62	5181	296,8	6,27	3583	307,8	6,74	51	42
	MED	-	4769	409,8	11,94	3883	222,4	3,52	2733	234,8	3,92	42	33
4200	MIN	-	3677	315,9	7,10	2949	168,9	2,03	2011	172,7	2,12	37	28
	STOP	-	966	83,0	0,49	741	42,4	0,13	459	39,4	0,11	-	-
	MAX	-	6460	555,0	23,05	5212	298,6	6,67	3598	309,2	7,15	51	42
	MED	-	4812	413,5	12,80	3915	224,2	3,76	2750	236,3	4,18	42	32
	MIN	-	3720	319,6	7,65	2982	170,8	2,18	2030	174,4	2,28	37	28
4400	STOP	-	1009	86,7	0,56	774	44,3	0,15	479	41,2	0,13	-	-
	MAX	-	6503	558,7	24,52	5243	300,3	7,08	3613	310,4	7,57	51	42
	MED	-	4856	417,2	13,67	3946	226,0	4,01	2767	237,7	4,44	42	32
	MIN	-	3764	323,4	8,21	3015	172,7	2,34	2049	176,1	2,43	37	27
	STOP	-	1053	90,5	0,64	807	46,3	0,17	500	43,0	0,15	-	-
4800	MAX	-	7944	682,6	38,32	6421	367,8	11,13	4449	382,2	12,02	52	42
	MED	-	5885	505,7	21,03	4797	274,8	6,21	3384	290,7	6,95	43	33
	MIN	-	4520	388,3	12,40	3629	207,8	3,55	2478	212,9	3,73	38	28
	STOP	-	1131	97,2	0,78	868	49,7	0,20	537	46,2	0,18	-	-
	MAX	-	7988	686,3	40,48	6453	369,6	11,74	4466	383,7	12,66	52	42
5000	MED	-	5929	509,4	22,30	4829	276,6	6,58	3403	292,3	7,35	43	33
	MIN	-	4563	392,1	13,21	3662	209,8	3,78	2498	214,6	3,96	38	28
	STOP	-	1175	100,9	0,88	901	51,6	0,23	558	48,0	0,20	-	-

Note: The level of sound pressure L_{PA} is calculated based on the level of sound power L_{WA} emitted by the noise source at a certain distance (1 m) and depends on the installation type (free space or next to a wall).

Definition of symbols

Q _h [W]	Heating capacity
m _w [kg/h]	Water flow
Δp _w [kPa]	Pressure drop on the waterside

TKV-13 Lx30x14

Housing length L [mm]	Fan speed		Heating capacity									Sound power L _{WA} [dB]	Sound pressure L _{PA} [dB]
			75 °C / 65 °C / 20 °C			70 °C / 55 °C / 20 °C			55 °C / 45 °C / 20 °C				
			Q _h [W]	m _w [kg/h]	Δp _w [kPa]	Q _h [W]	m _w [kg/h]	Δp _w [kPa]	Q _h [W]	m _w [kg/h]	Δp _w [kPa]		
900	MAX	100%	1066	91.6	0.04	862	49.4	0.01	599	51.5	0.01	43	37
	MED	70%	791	68.0	0.02	636	36.4	0.01	436	37.5	0.01	33	27
	MIN	50%	616	52.9	0.01	490	28.1	<0.01	329	28.3	<0.01	<30	22
	-	30%	446	38.3	0.01	352	20.2	<0.01	232	19.9	<0.01	<30	<20
	STOP		204	17.5	<0.01	155	8.9	<0.01	94	8.1	<0.01	-	-
1000	MAX	100%	1104	94.8	0.05	889	50.9	0.01	612	52.6	0.01	43	37
	MED	70%	829	71.2	0.03	664	38.0	0.01	451	38.8	0.01	33	27
	MIN	50%	654	56.2	0.02	519	29.7	<0.01	346	29.8	<0.01	<30	22
	-	30%	484	41.6	0.01	381	21.8	<0.01	250	21.5	<0.01	<30	<20
	STOP		242	20.8	<0.01	184	10.5	<0.01	112	9.6	<0.01	-	-
1100	MAX	100%	1142	98.1	0.06	916	52.4	0.02	624	53.6	0.02	43	37
	MED	70%	867	74.5	0.03	692	39.6	0.01	466	40.0	0.01	33	27
	MIN	50%	692	59.4	0.02	547	31.4	0.01	362	31.1	0.01	<30	22
	-	30%	522	44.9	0.01	410	23.5	<0.01	267	22.9	<0.01	<30	<20
	STOP		280	24.0	<0.01	213	12.2	<0.01	129	11.1	<0.01	-	-
1200	MAX	100%	2056	176.6	0.20	1668	95.6	0.06	1166	100.2	0.07	46	40
	MED	70%	1506	129.4	0.11	1214	69.6	0.03	837	71.9	0.03	36	30
	MIN	50%	1155	99.2	0.06	922	52.8	0.02	623	53.5	0.02	31	25
	-	30%	816	70.1	0.03	646	37.0	0.01	427	36.7	0.01	<30	20
	STOP		331	28.5	0.01	252	14.4	<0.01	153	13.1	<0.01	-	-
1300	MAX	100%	2094	179.9	0.24	1697	97.2	0.07	1183	101.6	0.08	46	40
	MED	70%	1544	132.7	0.13	1244	71.2	0.04	855	73.5	0.04	36	30
	MIN	50%	1193	102.5	0.08	952	54.5	0.02	641	55.1	0.02	31	24
	-	30%	854	73.4	0.04	675	38.7	0.01	446	38.3	0.01	<30	20
	STOP		369	31.7	0.01	281	16.1	<0.01	170	14.6	<0.01	-	-
1400	MAX	100%	2132	183.2	0.27	1725	98.8	0.08	1198	102.9	0.09	46	40
	MED	70%	1582	135.9	0.15	1272	72.9	0.04	872	74.9	0.05	36	29
	MIN	50%	1231	105.8	0.09	981	56.2	0.03	659	56.6	0.03	31	24
	-	30%	892	76.7	0.05	704	40.4	0.01	464	39.9	0.01	<30	20
	STOP		407	35.0	0.01	310	17.7	<0.01	188	16.2	<0.01	-	-
1500	MAX	100%	2170	186.4	0.31	1752	100.3	0.09	1211	104.1	0.10	46	39
	MED	70%	1620	139.2	0.17	1300	74.5	0.05	887	76.2	0.05	36	29
	MIN	50%	1269	109.1	0.11	1010	57.8	0.03	676	58.1	0.03	31	24
	-	30%	930	80.0	0.06	734	42.0	0.02	482	41.4	0.02	<30	20
	STOP		445	38.3	0.01	339	19.4	<0.01	206	17.7	<0.01	-	-
1600	MAX	100%	2208	189.7	0.35	1778	101.9	0.10	1223	105.1	0.11	46	39
	MED	70%	1658	142.5	0.20	1328	76.1	0.06	902	77.5	0.06	36	29
	MIN	50%	1307	112.3	0.12	1038	59.5	0.03	692	59.5	0.03	31	24
	-	30%	969	83.2	0.07	762	43.7	0.02	499	42.9	0.02	<30	<20
	STOP		483	41.5	0.02	367	21.0	<0.01	223	19.2	<0.01	-	-
1700	MAX	100%	3121	268.2	0.75	2531	145.0	0.22	1766	151.8	0.24	48	41
	MED	70%	2297	197.4	0.41	1851	106.0	0.12	1274	109.5	0.12	38	31
	MIN	50%	1771	152.1	0.24	1413	80.9	0.07	953	81.9	0.07	33	26
	-	30%	1263	108.5	0.12	998	57.2	0.03	659	56.6	0.03	<30	22
	STOP		535	46.0	0.02	407	23.3	0.01	247	21.2	<0.01	-	-
1800	MAX	100%	3159	271.5	0.82	2559	146.6	0.24	1782	153.1	0.26	48	41
	MED	70%	2335	200.6	0.45	1880	107.7	0.13	1291	110.9	0.14	38	31
	MIN	50%	1809	155.4	0.27	1442	82.6	0.08	971	83.4	0.08	33	25
	-	30%	1301	111.8	0.14	1027	58.9	0.04	678	58.2	0.04	<30	21
	STOP		573	49.2	0.03	435	24.9	0.01	264	22.7	0.01	-	-
1900	MAX	100%	3197	274.7	0.90	2587	148.2	0.26	1796	154.4	0.28	48	41
	MED	70%	2373	203.9	0.50	1908	109.3	0.14	1308	112.4	0.15	38	31
	MIN	50%	1847	158.7	0.30	1471	84.3	0.08	988	84.9	0.09	33	25
	-	30%	1339	115.0	0.16	1057	60.5	0.04	696	59.8	0.04	<30	21
	STOP		611	52.5	0.03	464	26.6	0.01	282	24.2	0.01	-	-
2000	MAX	100%	4111	353.2	1.59	3337	191.1	0.47	2332	200.4	0.51	49	42
	MED	70%	3012	258.8	0.85	2429	139.1	0.25	1674	143.8	0.26	39	32
	MIN	50%	2310	198.5	0.50	1845	105.7	0.14	1245	107.0	0.15	34	26
	-	30%	1633	140.3	0.25	1291	74.0	0.07	854	73.4	0.07	<30	22
	STOP		663	56.9	0.04	504	28.9	0.01	306	26.3	0.01	-	-
2100	MAX	100%	4149	356.5	1.72	3365	192.8	0.50	2350	201.9	0.55	49	42
	MED	70%	3050	262.1	0.93	2458	140.8	0.27	1693	145.4	0.29	39	32
	MIN	50%	2348	201.8	0.55	1874	107.4	0.16	1264	108.6	0.16	34	26
	-	30%	1671	143.6	0.28	1321	75.7	0.08	873	75.0	0.08	<30	22
	STOP		701	60.2	0.05	532	30.5	0.01	323	27.8	0.01	-	-
2200	MAX	100%	4187	359.8	1.85	3394	194.4	0.54	2366	203.3	0.59	49	42
	MED	70%	3088	265.3	1.00	2487	142.5	0.29	1710	146.9	0.31	39	31
	MIN	50%	2386	205.0	0.60	1904	109.0	0.17	1282	110.2	0.17	34	26
	-	30%	1709	146.8	0.31	1350	77.4	0.09	891	76.6	0.08	<30	22
	STOP		739	63.5	0.06	561	32.2	0.01	341	29.3	0.01	-	-
2300	MAX	100%	4225	363.0	1.98	3422	196.0	0.58	2381	204.6	0.63	49	41
	MED	70%	3126	268.6	1.09	2516	144.1	0.31	1727	148.4	0.33	39	31
	MIN	50%	2424	208.3	0.65	1933	110.7	0.18	1300	111.7	0.19	34	26
	-	30%	1747	150.1	0.34	1380	79.0	0.09	910	78.2	0.09	<30	22
	STOP		777	66.7	0.07	590	33.8	0.02	358	30.8	0.02	-	-
2400	MAX	100%	4263	366.3	2.12	3449	197.6	0.62	2395	205.8	0.67	49	41
	MED	70%	3164	271.9	1.17	2544	145.7	0.34	1743	149.8	0.35	39	31
	MIN	50%	2462	211.6	0.71	1962	112.4	0.20	1318	113.2	0.20	34	26
	-	30%	1785	153.4	0.37	1409	80.7	0.10	928	79.7	0.10	<30	22
	STOP		815	70.0	0.08	619	35.5	0.02	376	32.3	0.02	-	-
2500	MAX	100%	5177	444.8	3.28	4200	240.6	0.96	2933	252.0	1.05	50	42
	MED	70%	3803	326.8	1.77	3065	175.6	0.51	2111	181.4	0.55	40	32
	MIN	50%	2926	251.4	1.05	2336	133.8	0.30	1576	135.4	0.30	35	27
	-	30%	2079	178.6	0.53	1644	94.2	0.15	1086	93.3	0.14	31	23
	STOP		866	74.4	0.09	658	37.7	0.02	400	34.4	0.02	-	-

TKV-13 Lx30x14

Housing length L [mm]	Fan speed		Heating capacity									Sound power L _{WA} [dB]	Sound pressure L _{PA} [dB]
			75 °C / 65 °C / 20 °C			70 °C / 55 °C / 20 °C			55 °C / 45 °C / 20 °C				
			Q _h [W]	m _w [kg/h]	Δp _w [kPa]	Q _h [W]	m _w [kg/h]	Δp _w [kPa]	Q _h [W]	m _w [kg/h]	Δp _w [kPa]		
2600	MAX	100%	5215	448,1	3,49	4228	242,2	1,02	2949	253,4	1,11	50	42
	MED	70%	3841	330,0	1,89	3095	177,3	0,55	2129	182,9	0,58	40	32
	MIN	50%	2964	254,7	1,13	2365	135,5	0,32	1594	137,0	0,33	35	27
	-	30%	2117	181,9	0,57	1673	95,8	0,16	1105	94,9	0,16	31	23
	STOP	-	904	77,7	0,10	687	39,4	0,03	417	35,9	0,02	-	-
2700	MAX	100%	5253	451,3	3,69	4256	243,8	1,08	2965	254,7	1,18	50	42
	MED	70%	3879	333,3	2,01	3123	178,9	0,58	2146	184,4	0,62	40	32
	MIN	50%	3002	257,9	1,21	2394	137,1	0,34	1612	138,5	0,35	35	27
	-	30%	2155	185,2	0,62	1703	97,5	0,17	1123	96,5	0,17	31	23
	STOP	-	942	81,0	0,12	716	41,0	0,03	435	37,4	0,03	-	-
2800	MAX	100%	6167	529,8	5,31	5005	286,7	1,55	3498	300,6	1,71	51	43
	MED	70%	4518	388,2	2,85	3643	208,7	0,82	2511	215,8	0,88	41	33
	MIN	50%	3465	297,7	1,68	2767	158,5	0,47	1868	160,5	0,49	36	27
	-	30%	2449	210,4	0,84	1937	110,9	0,23	1281	110,0	0,23	32	23
	STOP	-	994	85,4	0,14	755	43,3	0,04	459	39,4	0,03	-	-
2900	MAX	100%	6205	533,1	5,59	5034	288,3	1,64	3516	302,1	1,80	51	43
	MED	70%	4556	391,5	3,02	3673	210,4	0,87	2530	217,4	0,93	41	32
	MIN	50%	3503	301,0	1,78	2797	160,2	0,50	1887	162,1	0,52	36	27
	-	30%	2487	213,7	0,90	1967	112,6	0,25	1300	111,7	0,25	32	23
	STOP	-	1032	88,7	0,15	784	44,9	0,04	476	40,9	0,03	-	-
3000	MAX	100%	6243	536,4	5,88	5062	290,0	1,72	3533	303,5	1,88	51	42
	MED	70%	4594	394,7	3,19	3702	212,0	0,92	2548	218,9	0,98	41	32
	MIN	50%	3541	304,3	1,89	2826	161,9	0,54	1905	163,7	0,55	36	27
	-	30%	2525	217,0	0,96	1996	114,3	0,27	1318	113,3	0,26	32	23
	STOP	-	1070	91,9	0,17	813	46,6	0,04	494	42,4	0,04	-	-
3200	MAX	100%	6319	542,9	6,48	5119	293,2	1,89	3564	306,2	2,06	51	42
	MED	70%	4670	401,3	3,54	3760	215,4	1,02	2582	221,9	1,08	41	32
	MIN	50%	3617	310,8	2,12	2885	165,2	0,60	1942	166,8	0,61	36	27
	-	30%	2601	223,5	1,10	2055	117,7	0,30	1355	116,5	0,30	32	23
	STOP	-	1146	98,5	0,21	871	49,9	0,05	529	45,4	0,05	-	-
3400	MAX	100%	6395	549,4	7,10	5174	296,4	2,07	3593	308,7	2,24	51	42
	MED	70%	4746	407,8	3,91	3817	218,6	1,12	2615	224,7	1,19	41	32
	MIN	50%	3693	317,3	2,37	2943	168,6	0,67	1977	169,8	0,68	36	27
	-	30%	2677	230,0	1,25	2113	121,1	0,34	1392	119,6	0,34	32	23
	STOP	-	1222	105,0	0,26	929	53,2	0,07	564	48,5	0,06	-	-
3600	MAX	100%	6471	556,0	7,75	5228	299,5	2,25	3620	311,0	2,43	51	42
	MED	70%	4822	414,3	4,31	3873	221,8	1,23	2647	227,4	1,30	41	32
	MIN	50%	3770	323,9	2,63	3000	171,8	0,74	2011	172,8	0,75	36	27
	-	30%	2753	236,6	1,40	2172	124,4	0,39	1428	122,7	0,38	32	23
	STOP	-	1298	111,6	0,31	987	56,5	0,08	599	51,5	0,07	-	-
3800	MAX	-	8298	713,0	13,53	6731	385,5	3,96	4699	403,7	4,34	52	43
	MED	-	6100	524,1	7,31	4916	281,6	2,11	3385	290,8	2,25	42	33
	MIN	-	4696	403,5	4,33	3749	214,7	1,23	2528	217,2	1,26	37	28
	STOP	-	1401	120,4	0,39	1065	61,0	0,10	647	55,6	0,08	-	-
	MAX	-	8374	719,5	14,58	6788	388,8	4,26	4731	406,5	4,65	52	43
4000	MED	-	6176	530,7	7,93	4974	284,9	2,29	3420	293,9	2,43	42	33
	MIN	-	4773	410,1	4,74	3807	218,1	1,34	2565	220,4	1,37	37	28
	STOP	-	1477	126,9	0,45	1123	64,3	0,12	682	58,6	0,10	-	-
	MAX	-	8450	726,1	15,66	6844	392,0	4,56	4762	409,1	4,97	52	43
	MED	-	6252	537,2	8,57	5032	288,2	2,47	3454	296,8	2,62	42	33
4200	MIN	-	4849	416,6	5,16	3866	221,4	1,46	2601	223,4	1,48	37	27
	STOP	-	1554	133,5	0,53	1181	67,6	0,14	717	61,6	0,11	-	-
	MAX	-	8526	732,6	16,77	6899	395,2	4,88	4790	411,6	5,29	52	43
	MED	-	6329	543,7	9,24	5089	291,5	2,66	3487	299,6	2,80	42	32
	MIN	-	4925	423,1	5,59	3923	224,7	1,58	2636	226,4	1,60	37	27
4400	STOP	-	1630	140,0	0,61	1238	70,9	0,16	752	64,6	0,13	-	-
	MAX	-	8603	739,1	17,91	6953	398,3	5,20	4818	413,9	5,62	52	42
	MED	-	6405	550,3	9,93	5145	294,7	2,85	3519	302,3	3,00	42	32
	MIN	-	5001	429,7	6,05	3981	228,0	1,71	2670	229,4	1,73	37	27
	STOP	-	1706	146,6	0,70	1296	74,2	0,18	787	67,6	0,15	-	-
4800	MAX	-	10430	896,1	27,57	8456	484,4	8,06	5898	506,8	8,82	53	43
	MED	-	7682	660,1	14,96	6189	354,5	4,32	4258	365,8	4,60	43	33
	MIN	-	5928	509,3	8,91	4730	270,9	2,52	3188	273,9	2,58	38	28
	STOP	-	1809	155,4	0,83	1375	78,7	0,21	835	71,7	0,18	-	-
	MAX	-	10506	902,7	29,23	8513	487,6	8,53	5930	509,5	9,31	53	43
5000	MED	-	7759	666,6	15,94	6247	357,8	4,59	4293	368,8	4,88	43	33
	MIN	-	6004	515,8	9,55	4788	274,3	2,70	3224	277,0	2,75	38	28
	STOP	-	1885	162,0	0,94	1432	82,1	0,24	870	74,7	0,20	-	-

Note: The level of sound pressure L_{PA} is calculated based on the level of sound power L_{WA} emitted by the noise source at a certain distance (1 m) and depends on the installation type (free space or next to a wall).

Definition of symbols

Q _h [W]	Heating capacity
m _w [kg/h]	Water flow
Δp _w [kPa]	Pressure drop on the waterside

TKV-13 Lx40x14

Housing length L [mm]	Fan speed		Heating capacity									Sound power L _{WA} [dB]	Sound pressure L _{PA} [dB]
			75 °C / 65 °C / 20 °C			70 °C / 55 °C / 20 °C			55 °C / 45 °C / 20 °C				
			Q _h [W]	m _w [kg/h]	Δp _w [kPa]	Q _h [W]	m _w [kg/h]	Δp _w [kPa]	Q _h [W]	m _w [kg/h]	Δp _w [kPa]		
900	MAX	100%	1298	111,5	<0,01	1050	60,1	<0,01	728	62,5	<0,01	42	36
	MED	70%	972	83,5	<0,01	779	44,6	<0,01	529	45,5	<0,01	32	26
	MIN	50%	770	66,2	<0,01	607	34,8	<0,01	398	34,2	<0,01	<30	22
	-	30%	579	49,8	<0,01	449	25,8	<0,01	285	24,5	<0,01	<30	<20
	STOP		316	27,1	<0,01	237	13,6	<0,01	140	12,0	<0,01	-	-
1000	MAX	100%	1354	116,3	0,01	1089	62,4	<0,01	747	64,2	<0,01	42	35
	MED	70%	1028	88,3	<0,01	820	47,0	<0,01	551	47,4	<0,01	32	26
	MIN	50%	826	71,0	<0,01	649	37,2	<0,01	423	36,3	<0,01	<30	21
	-	30%	635	54,6	<0,01	492	28,2	<0,01	310	26,7	<0,01	<30	<20
	STOP		372	31,9	<0,01	279	16,0	<0,01	164	14,1	<0,01	-	-
1100	MAX	100%	1410	121,1	0,01	1128	64,6	<0,01	764	65,6	<0,01	42	35
	MED	70%	1084	93,1	<0,01	860	49,3	<0,01	572	49,2	<0,01	32	26
	MIN	50%	882	75,8	<0,01	690	39,5	<0,01	446	38,3	<0,01	<30	21
	-	30%	691	59,4	<0,01	533	30,6	<0,01	335	28,8	<0,01	<30	<20
	STOP		428	36,7	<0,01	320	18,4	<0,01	189	16,2	<0,01	-	-
1200	MAX	100%	2484	213,5	0,03	2016	115,5	0,01	1410	121,1	0,01	45	38
	MED	70%	1833	157,5	0,01	1473	84,4	<0,01	1008	86,6	<0,01	35	29
	MIN	50%	1428	122,7	0,01	1129	64,6	<0,01	745	64,0	<0,01	31	24
	-	30%	1047	90,0	<0,01	814	46,6	<0,01	518	44,5	<0,01	<30	20
	STOP		520	44,7	<0,01	390	22,3	<0,01	230	19,7	<0,01	-	-
1300	MAX	100%	2540	218,3	0,03	2059	117,9	0,01	1434	123,2	0,01	45	38
	MED	70%	1889	162,3	0,02	1516	86,8	<0,01	1034	88,9	<0,01	35	29
	MIN	50%	1484	127,5	0,01	1171	67,1	<0,01	771	66,3	<0,01	31	24
	-	30%	1103	94,8	0,01	856	49,1	<0,01	544	46,8	<0,01	<30	20
	STOP		576	49,5	<0,01	432	24,7	<0,01	254	21,9	<0,01	-	-
1400	MAX	100%	2596	223,1	0,03	2099	120,2	0,01	1456	125,1	0,01	45	38
	MED	70%	1945	167,1	0,02	1558	89,2	0,01	1058	90,9	0,01	35	29
	MIN	50%	1540	132,3	0,01	1214	69,5	<0,01	797	68,5	<0,01	31	24
	-	30%	1159	99,6	0,01	899	51,5	<0,01	570	49,0	<0,01	<30	20
	STOP		632	54,3	<0,01	473	27,1	<0,01	279	24,0	<0,01	-	-
1500	MAX	100%	2652	227,9	0,04	2139	122,5	0,01	1475	126,8	0,01	45	38
	MED	70%	2001	171,9	0,02	1599	91,6	0,01	1081	92,9	0,01	35	29
	MIN	50%	1596	137,1	0,01	1256	71,9	<0,01	821	70,6	<0,01	31	24
	-	30%	1215	104,4	0,01	941	53,9	<0,01	596	51,2	<0,01	<30	<20
	STOP		688	59,1	<0,01	515	29,5	<0,01	304	26,1	<0,01	-	-
1600	MAX	100%	2708	232,7	0,04	2178	124,8	0,01	1493	128,3	0,01	45	38
	MED	70%	2056	176,7	0,03	1639	93,9	0,01	1103	94,8	0,01	35	28
	MIN	50%	1652	141,9	0,02	1297	74,3	<0,01	845	72,6	<0,01	31	24
	-	30%	1271	109,2	0,01	983	56,3	<0,01	620	53,3	<0,01	<30	<20
	STOP		743	63,9	<0,01	557	31,9	<0,01	328	28,2	<0,01	-	-
1700	MAX	100%	3782	325,0	0,09	3067	175,7	0,03	2140	183,8	0,03	46	39
	MED	70%	2805	241,0	0,05	2252	129,0	0,01	1538	132,2	0,02	37	30
	MIN	50%	2198	188,9	0,03	1736	99,4	0,01	1144	98,3	0,01	32	25
	-	30%	1627	139,8	0,02	1263	72,4	<0,01	803	69,0	<0,01	<30	21
	STOP		836	71,8	<0,01	626	35,9	<0,01	369	31,7	<0,01	-	-
1800	MAX	100%	3838	329,8	0,10	3108	178,0	0,03	2163	185,8	0,03	46	39
	MED	70%	2861	245,8	0,06	2295	131,4	0,02	1564	134,3	0,02	37	30
	MIN	50%	2254	193,7	0,04	1778	101,9	0,01	1170	100,5	0,01	32	25
	-	30%	1683	144,6	0,02	1306	74,8	0,01	830	71,3	<0,01	<30	21
	STOP		892	76,6	0,01	668	38,3	<0,01	394	33,8	<0,01	-	-
1900	MAX	100%	3894	334,6	0,12	3149	180,4	0,03	2184	187,6	0,04	46	39
	MED	70%	2917	250,6	0,06	2336	133,8	0,02	1588	136,4	0,02	37	30
	MIN	50%	2310	198,5	0,04	1821	104,3	0,01	1195	102,7	0,01	32	25
	-	30%	1738	149,4	0,02	1348	77,2	0,01	855	73,5	0,01	<30	21
	STOP		948	81,4	0,01	710	40,7	<0,01	419	36,0	<0,01	-	-
2000	MAX	100%	4969	426,9	0,20	4033	231,0	0,06	2819	242,2	0,06	48	40
	MED	70%	3666	315,0	0,11	2946	168,7	0,03	2016	173,2	0,03	38	31
	MIN	50%	2857	245,4	0,07	2257	129,3	0,02	1490	128,0	0,02	34	26
	-	30%	2095	180,0	0,04	1627	93,2	0,01	1036	89,0	0,01	<30	22
	STOP		1040	89,4	0,01	779	44,6	<0,01	459	39,5	<0,01	-	-
2100	MAX	100%	5025	431,7	0,22	4075	233,4	0,06	2845	244,4	0,07	48	40
	MED	70%	3722	319,8	0,12	2989	171,2	0,03	2042	175,5	0,04	38	31
	MIN	50%	2913	250,2	0,07	2300	131,8	0,02	1517	130,3	0,02	34	26
	-	30%	2150	184,8	0,04	1670	95,7	0,01	1063	91,3	0,01	<30	22
	STOP		1096	94,2	0,01	821	47,0	<0,01	484	41,6	<0,01	-	-
2200	MAX	100%	5080	436,5	0,23	4117	235,8	0,07	2868	246,5	0,07	48	40
	MED	70%	3778	324,6	0,13	3032	173,6	0,04	2068	177,7	0,04	38	31
	MIN	50%	2968	255,0	0,08	2343	134,2	0,02	1543	132,6	0,02	34	26
	-	30%	2206	189,6	0,04	1713	98,1	0,01	1089	93,6	0,01	<30	22
	STOP		1152	99,0	0,01	863	49,4	<0,01	509	43,7	<0,01	-	-
2300	MAX	100%	5136	441,3	0,25	4158	238,2	0,07	2891	248,4	0,08	48	40
	MED	70%	3834	329,4	0,14	3074	176,1	0,04	2093	179,8	0,04	38	31
	MIN	50%	3024	259,8	0,09	2385	136,6	0,02	1569	134,8	0,02	34	26
	-	30%	2262	194,4	0,05	1755	100,6	0,01	1115	95,8	0,01	<30	22
	STOP		1208	103,8	0,01	905	51,8	<0,01	533	45,8	<0,01	-	-
2400	MAX	100%	5192	446,1	0,27	4198	240,5	0,08	2912	250,2	0,09	48	40
	MED	70%	3889	334,2	0,15	3115	178,4	0,04	2117	181,9	0,05	38	30
	MIN	50%	3080	264,6	0,10	2428	139,1	0,03	1594	136,9	0,03	34	26
	-	30%	2318	199,2	0,05	1798	103,0	0,01	1140	98,0	0,01	<30	22
	STOP		1263	108,6	0,02	947	54,2	<0,01	558	48,0	<0,01	-	-
2500	MAX	100%	6267	538,4	0,42	5084	291,2	0,12	3550	305,0	0,13	49	40
	MED	70%	4638	398,5	0,23	3725	213,4	0,07	2546	218,8	0,07	39	31
	MIN	50%	3627	311,6	0,14	2865	164,1	0,04	1889	162,3	0,04	35	26
	-	30%	2674	229,8	0,08	2077	119,0	0,02	1322	113,6	0,02	31	23
	STOP		1356	116,5	0,02	1016	58,2	<0,01	599	51,5	<0,01	-	-

TKV-13 Lx40x14

Housing length L [mm]	Fan speed		Heating capacity									Sound power L _{WA} [dB]	Sound pressure L _{PA} [dB]
			75 °C / 65 °C / 20 °C			70 °C / 55 °C / 20 °C			55 °C / 45 °C / 20 °C				
			Q _h [W]	m _w [kg/h]	Δp _w [kPa]	Q _h [W]	m _w [kg/h]	Δp _w [kPa]	Q _h [W]	m _w [kg/h]	Δp _w [kPa]		
2600	MAX	100%	6323	543,2	0,44	5126	293,6	0,13	3574	307,1	0,14	49	40
	MED	70%	4694	403,3	0,24	3768	215,8	0,07	2573	221,0	0,07	39	31
	MIN	50%	3683	316,4	0,15	2907	166,5	0,04	1915	164,6	0,04	35	26
	-	30%	2730	234,6	0,08	2120	121,4	0,02	1348	115,8	0,02	31	23
	STOP	-	1412	121,3	0,02	1058	60,6	0,01	624	53,6	<0,01	-	-
2700	MAX	100%	6379	548,0	0,47	5167	296,0	0,14	3597	309,0	0,15	49	40
	MED	70%	4750	408,1	0,26	3811	218,3	0,07	2598	223,2	0,08	39	31
	MIN	50%	3738	321,2	0,16	2950	169,0	0,04	1941	166,8	0,04	35	26
	-	30%	2786	239,4	0,09	2162	123,9	0,02	1374	118,1	0,02	31	22
	STOP	-	1468	126,1	0,02	1100	63,0	0,01	648	55,7	<0,01	-	-
2800	MAX	100%	7453	640,4	0,67	6049	346,5	0,20	4229	363,3	0,22	49	41
	MED	70%	5499	472,5	0,36	4419	253,1	0,10	3023	259,8	0,11	40	32
	MIN	50%	4285	368,2	0,22	3386	193,9	0,06	2234	192,0	0,06	35	27
	-	30%	3142	270,0	0,12	2441	139,8	0,03	1554	133,5	0,03	32	23
	STOP	-	1560	134,0	0,03	1169	67,0	0,01	689	59,2	0,01	-	-
2900	MAX	100%	7509	645,2	0,71	6092	348,9	0,21	4254	365,5	0,23	49	41
	MED	70%	5555	477,3	0,39	4462	255,6	0,11	3050	262,1	0,12	40	32
	MIN	50%	4341	373,0	0,24	3429	196,4	0,07	2261	194,3	0,06	35	27
	-	30%	3198	274,7	0,13	2484	142,3	0,03	1581	135,8	0,03	32	23
	STOP	-	1616	138,8	0,03	1211	69,4	0,01	714	61,3	0,01	-	-
3000	MAX	100%	7565	650,0	0,75	6134	351,4	0,22	4279	367,7	0,24	49	41
	MED	70%	5611	482,1	0,41	4505	258,0	0,12	3077	264,4	0,12	40	32
	MIN	50%	4397	377,8	0,25	3472	198,9	0,07	2288	196,6	0,07	35	27
	-	30%	3254	279,5	0,14	2527	144,7	0,04	1607	138,1	0,03	32	23
	STOP	-	1672	143,6	0,04	1253	71,8	0,01	738	63,4	0,01	-	-
3200	MAX	100%	7677	659,6	0,83	6217	356,1	0,24	4325	371,6	0,26	49	41
	MED	70%	5722	491,7	0,46	4589	262,9	0,13	3127	268,7	0,14	40	31
	MIN	50%	4508	387,4	0,29	3557	203,7	0,08	2340	201,1	0,08	35	27
	-	30%	3365	289,1	0,16	2612	149,6	0,04	1659	142,6	0,04	32	23
	STOP	-	1784	153,2	0,04	1337	76,6	0,01	788	67,7	0,01	-	-
3400	MAX	100%	7788	669,2	0,91	6298	360,7	0,26	4367	375,3	0,29	49	40
	MED	70%	5834	501,3	0,51	4673	267,7	0,15	3175	272,8	0,15	40	31
	MIN	50%	4620	397,0	0,32	3642	208,6	0,09	2391	205,4	0,09	35	26
	-	30%	3477	298,7	0,18	2697	154,5	0,05	1711	147,0	0,04	32	23
	STOP	-	1895	162,8	0,05	1420	81,4	0,01	837	71,9	0,01	-	-
3600	MAX	100%	7900	678,8	1,00	6377	365,3	0,29	4407	378,6	0,31	49	40
	MED	70%	5946	510,9	0,57	4755	272,4	0,16	3221	276,8	0,17	40	31
	MIN	50%	4732	406,6	0,36	3725	213,4	0,10	2440	209,6	0,10	35	26
	-	30%	3589	308,3	0,21	2781	159,3	0,06	1761	151,3	0,05	32	22
	STOP	-	2007	172,4	0,06	1504	86,1	0,02	886	76,2	0,01	-	-
3800	MAX	-	10049	863,4	1,72	8151	466,9	0,50	5689	488,8	0,55	51	41
	MED	-	7444	639,6	0,94	5978	342,4	0,27	4085	351,0	0,28	41	32
	MIN	-	5825	500,5	0,58	4600	263,5	0,16	3033	260,6	0,16	37	27
	STOP	-	2192	188,3	0,08	1643	94,1	0,02	968	83,2	0,02	-	-
	MAX	-	10161	873,0	1,86	8234	471,6	0,54	5737	492,9	0,59	51	41
4000	MED	-	7556	649,2	1,03	6063	347,3	0,29	4136	355,4	0,31	41	32
	MIN	-	5937	510,1	0,63	4686	268,4	0,18	3086	265,1	0,17	37	27
	STOP	-	2304	197,9	0,10	1726	98,9	0,02	1017	87,4	0,02	-	-
	MAX	-	10273	882,6	2,00	8316	476,3	0,58	5781	496,7	0,63	51	41
	MED	-	7667	658,8	1,11	6147	352,1	0,32	4186	359,6	0,33	41	32
4200	MIN	-	6048	519,7	0,69	4771	273,3	0,19	3137	269,5	0,19	37	27
	STOP	-	2415	207,5	0,11	1810	103,7	0,03	1067	91,7	0,02	-	-
	MAX	-	10384	892,2	2,15	8397	481,0	0,63	5823	500,3	0,68	51	41
	MED	-	7779	668,4	1,21	6231	356,9	0,34	4233	363,7	0,36	41	32
	MIN	-	6160	529,3	0,76	4855	278,1	0,21	3187	273,9	0,20	37	27
4400	STOP	-	2527	217,1	0,13	1894	108,5	0,03	1116	95,9	0,02	-	-
	MAX	-	10496	901,8	2,31	8477	485,6	0,67	5863	503,8	0,72	51	41
	MED	-	7891	678,0	1,30	6313	361,6	0,37	4280	367,7	0,38	41	32
	MIN	-	6272	538,9	0,82	4939	282,9	0,23	3237	278,1	0,22	37	27
	STOP	-	2639	226,7	0,15	1977	113,3	0,04	1165	100,1	0,03	-	-
4800	MAX	-	12645	1086,5	3,51	10251	587,2	1,02	7148	614,1	1,12	52	41
	MED	-	9389	806,7	1,93	7536	431,7	0,55	5145	442,1	0,58	42	32
	MIN	-	7365	632,8	1,19	5815	333,1	0,33	3831	329,2	0,32	38	28
	STOP	-	2824	242,6	0,17	2116	121,2	0,04	1247	107,2	0,03	-	-
	MAX	-	12757	1096,1	3,73	10334	591,9	1,09	7194	618,1	1,19	52	41
5000	MED	-	9500	816,3	2,07	7621	436,5	0,59	5195	446,4	0,62	42	32
	MIN	-	7477	642,4	1,28	5900	338,0	0,35	3883	333,6	0,35	38	27
	STOP	-	2935	252,2	0,20	2200	126,0	0,05	1296	111,4	0,04	-	-

Note: The level of sound pressure L_{PA} is calculated based on the level of sound power L_{WA} emitted by the noise source at a certain distance (1 m) and depends on the installation type (free space or next to a wall).

Other technical data for TKV-13 Lx20x14, Lx30x14 and Lx40x14

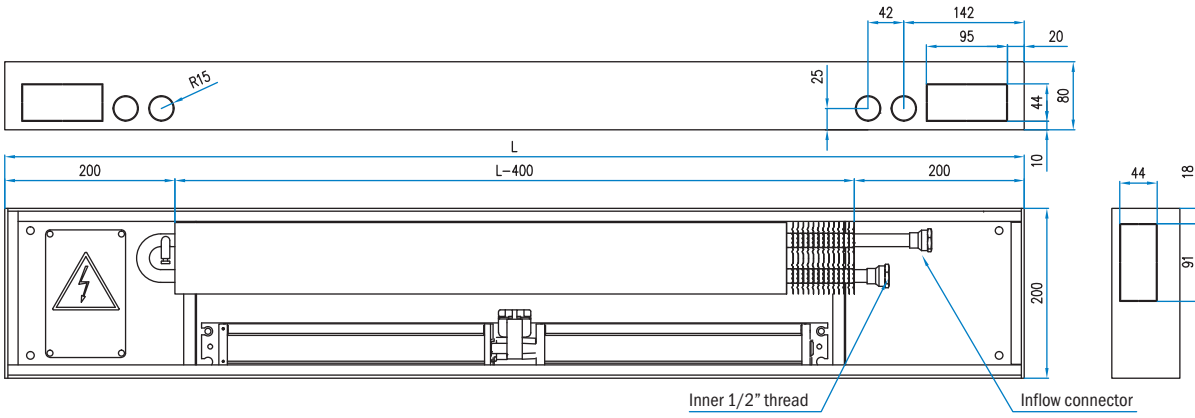
Housing length [mm]	Fan designation (max. no. of fans)	Water connectors dimensions ["]	Air flow [m³/h]	Max. input power [W]	Max. input current [A]
900-1100	1 1	3/4	80	12	0,10
1200-1600	1 2	3/4	160	24	0,20
1700-1900	2 3	3/4	240	36	0,30
2000-2400	2 4	3/4	320	48	0,40
2500-2700	3 5	3/4	400	60	0,50
2800-3600	3 6	3/4	480	72	0,60
3800-4600	4 8	3/4	640	96	0,80
4800-5000	5 10	3/4	800	120	1,00

Definition of symbols

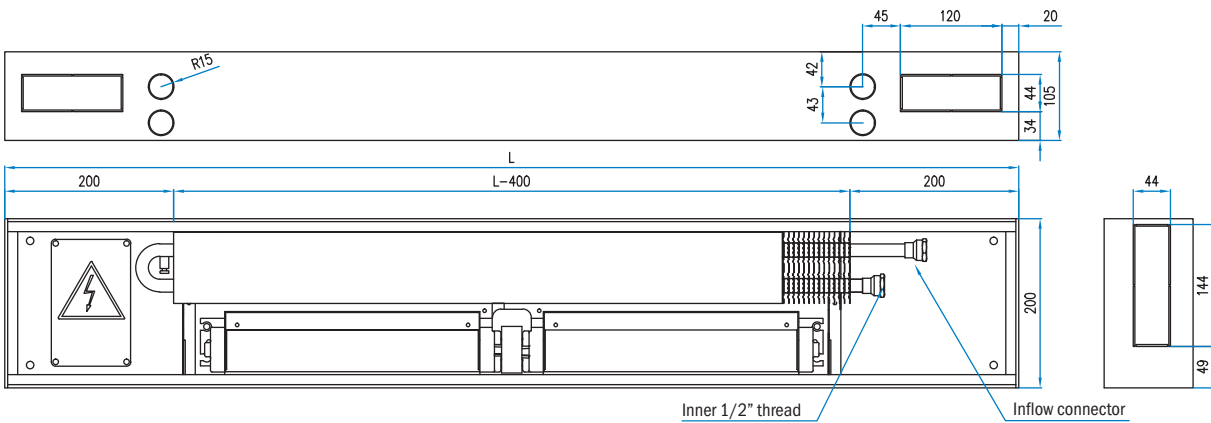
- Q_h [W] Heating capacity
- m_w [kg/h] Water flow
- Δp_w [kPa] Pressure drop on the waterside

■ Dimensions

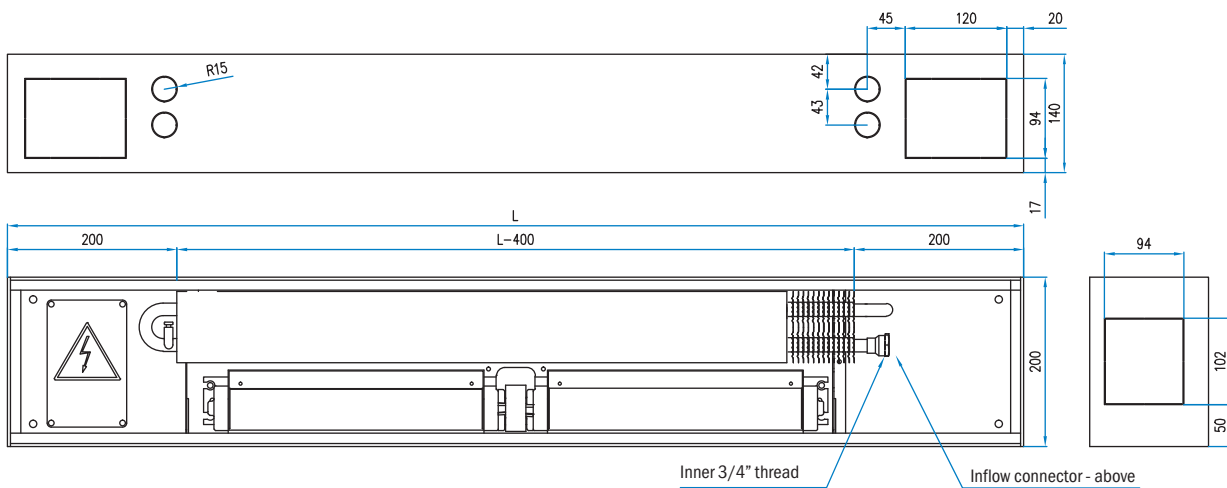
TKV-13 Lx20x08



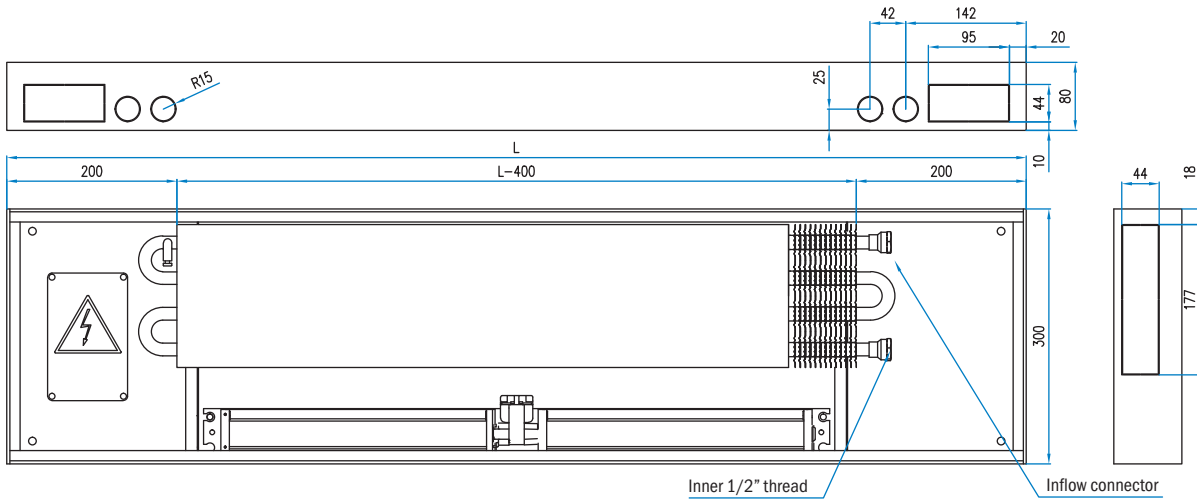
TKV-13 Lx20x10



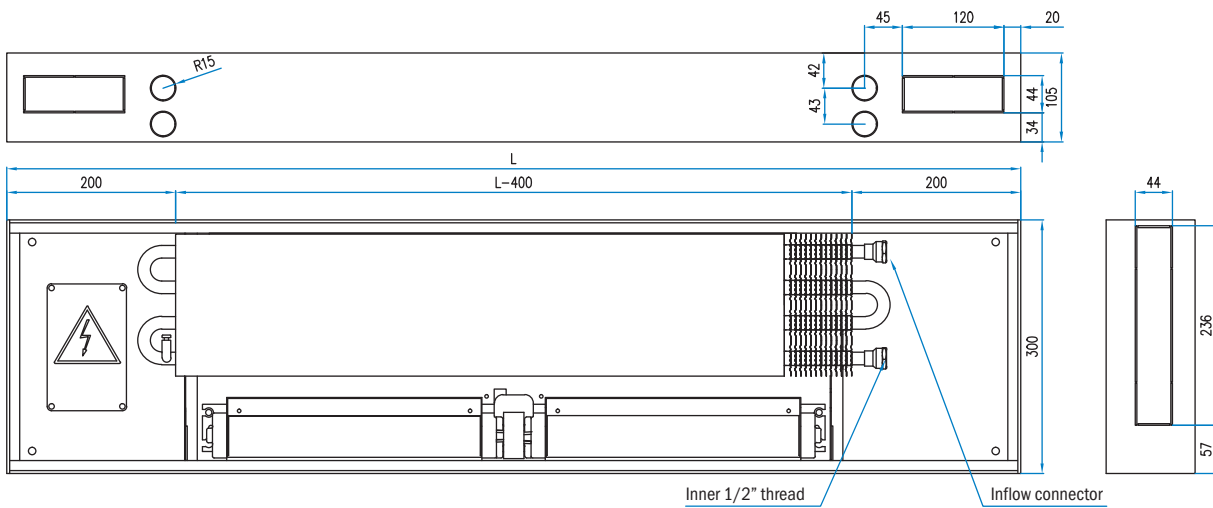
TKV-13 Lx20x14



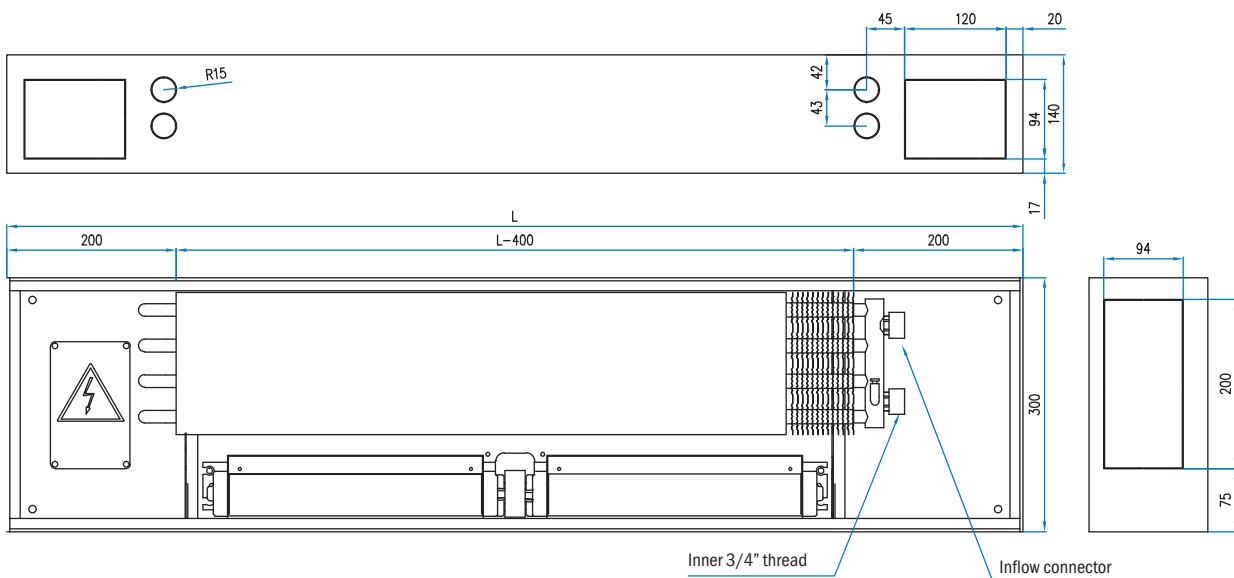
TKV-13 Lx30x08



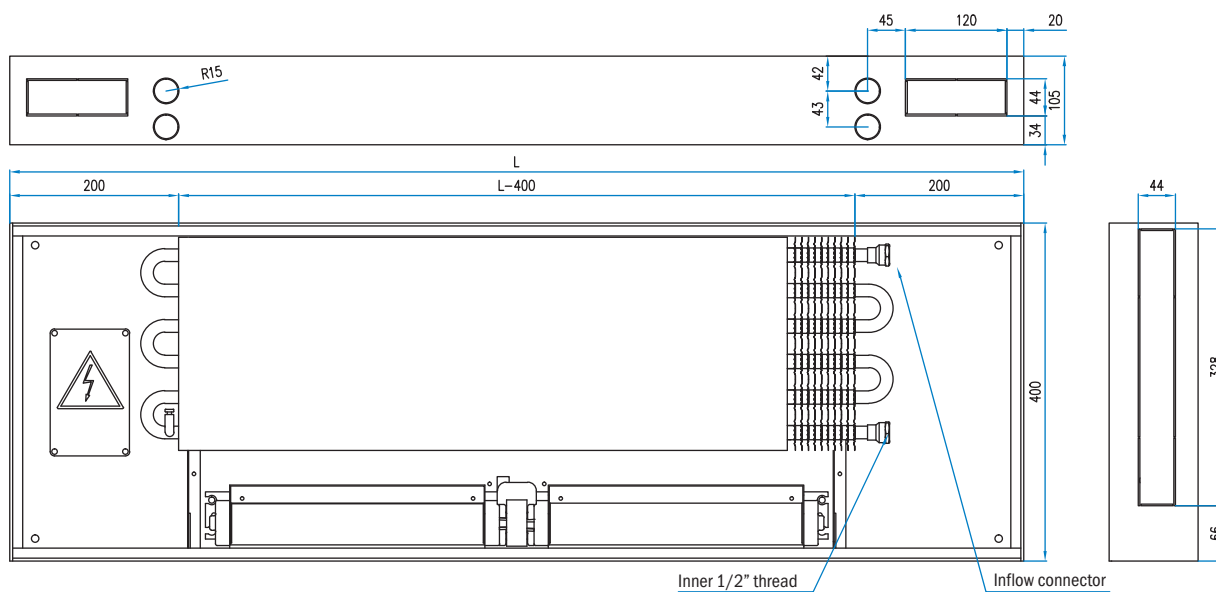
TKV-13 Lx30x10



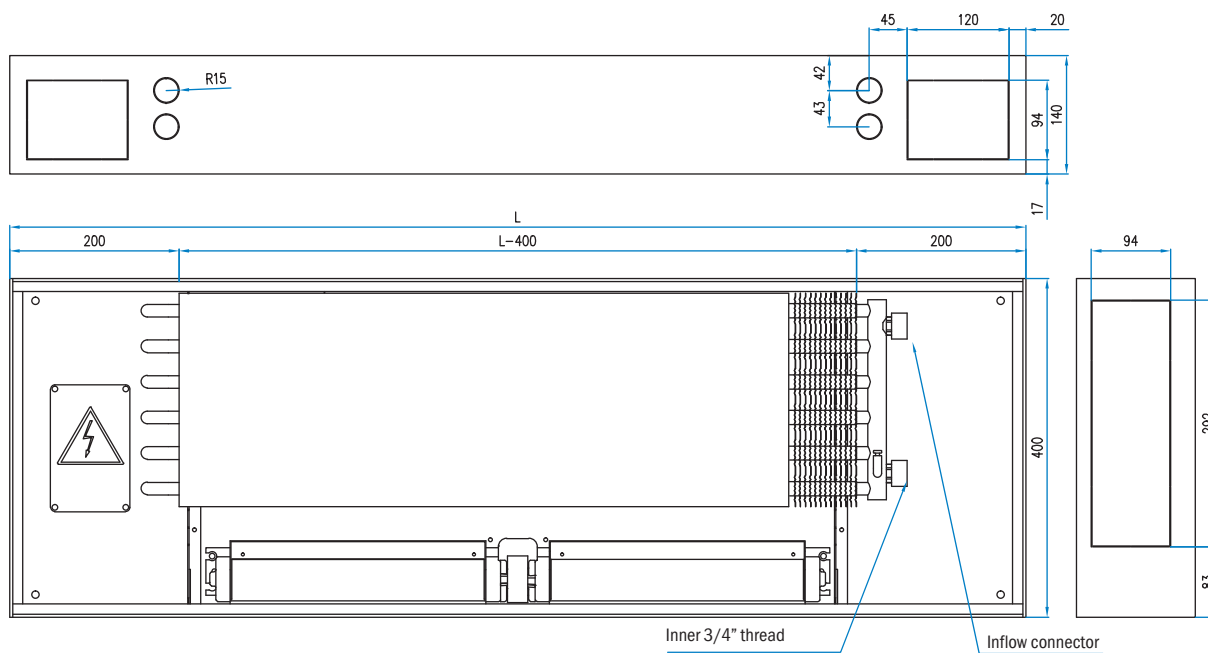
TKV-13 Lx30x14



TKV-13 Lx40x10



TKV-13 Lx40x14

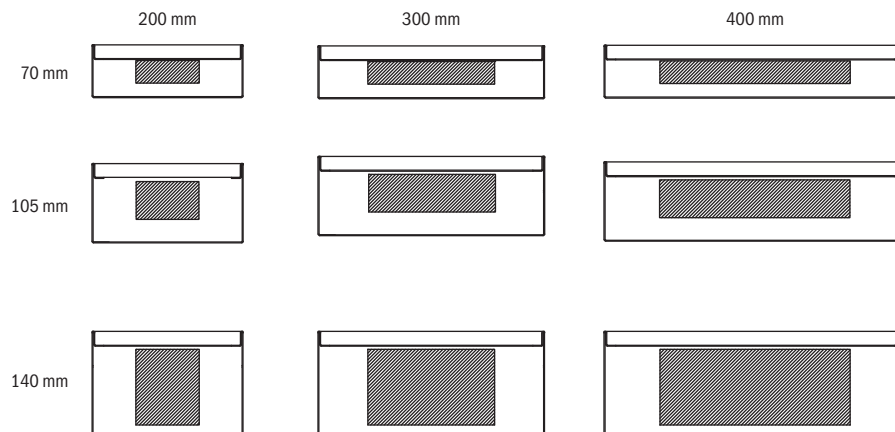


Quick overview of floor convectors TK-13 and TKV-13

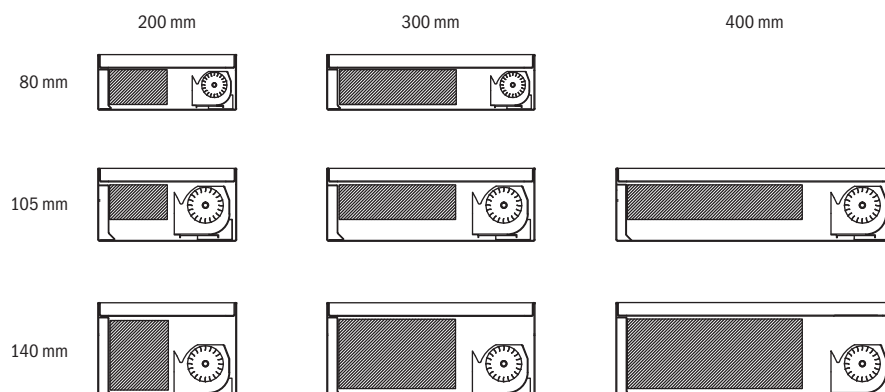
Basic characteristics

	Natural convection floor convectors TK-13	Forced convection floor convectors TKV-13
Heating capacities	up to 4 kW	do 12,8 kW (75 °C / 65 °C / 20 °C)
Length	800 - 5000 mm	900-5000 mm
	up to 3000 mm increment 100 mm	up to 3000 mm increment 100 mm
	over 3000 mm increment 200 mm	over 3000 mm increment 200 mm
Width	200, 300, 400 mm	200, 300, 400 mm
Height	70, 105, 140 mm	80 (width 200 and 300 only), 105, 140 mm
No. of fans	-	1-5
Fan speed	-	MAX-MED-MIN-STOP (AC) or continuous (EC)

Dimensions TK-13



Dimensions TKV-13

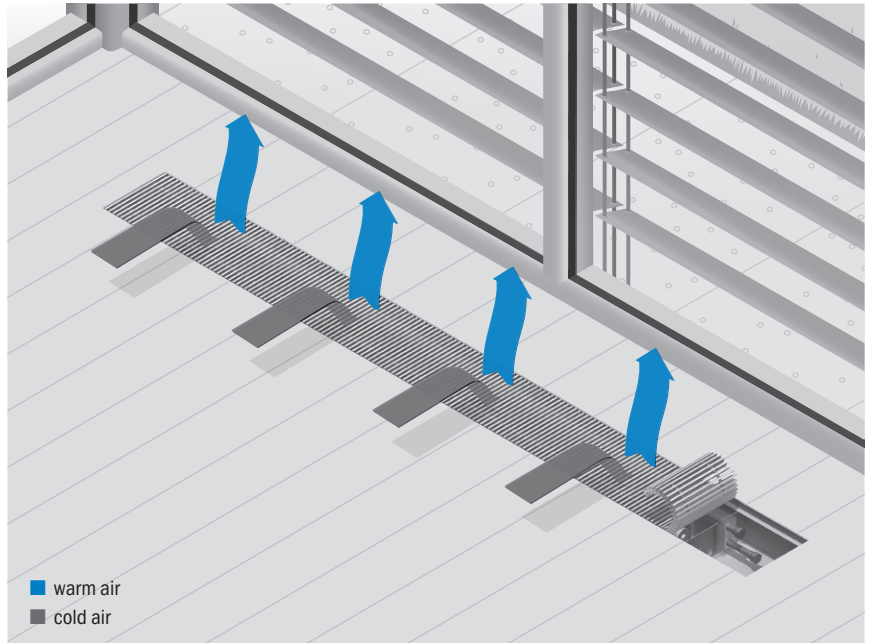


Floor convectors for humid conditions with forced or natural convection TKV-S-13, TK-S-13

Application

TKV-S-13 and TK-S-13 floor convectors operate in the same way as the types TKV-13 and TK-13. They are particularly suitable for heating of areas with increased level of humidity such as swimming pools or similar. For safety, low voltage fan (12 V) is installed in the TKV-S-13 model.

Setting up into the room and installation is the same as floor convectors TK-13 and TKV-13. They are used for prevention of condensation on glass surfaces, reduction of the convection effect from cold surfaces, and prevention of ingress of cold outside air. Because of the potential ingress of water into the interior of the housing, collection tray is mounted to collect and drain water, but we do not recommend installing floor convector directly at the pools, hot tubs, ... (recommended distance > 1 m), or in a place with the greater possibility of ingress of water into the interior of the floor convector.



Operation

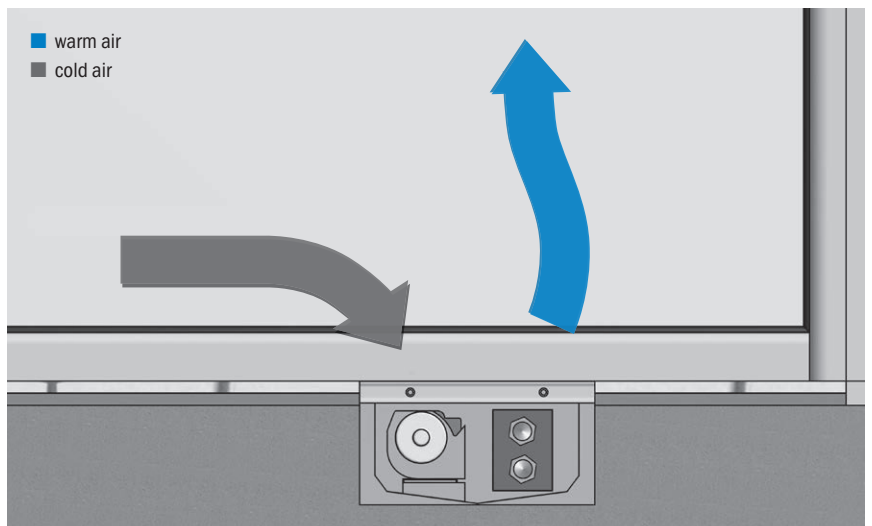
Operation is similar to the operation of TK-13 and TKV-13 floor convectors.

Important:

Technical characteristics are the same as catalogue technical characteristics of TK-13 and TKV-13 floor convectors of 105 mm height.

Component parts (basic design)

1. Heat exchanger,
2. Tangential fan 12 V (for TKV-S-13 only),
3. Electric connection socket (for TKV-S-13 only),
4. Tread-on grille,
5. Condensation collection drip tray,
6. Housing.

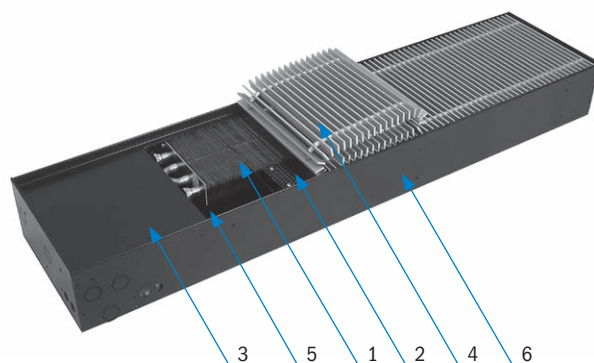


Types

Floor convectors are available in 15 lengths from 1100 mm to 2500 mm, 200mm, 300 mm or 400 mm width and 140 mm height. Three level fan speed is available.

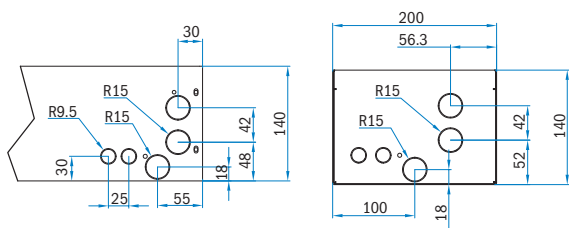
Control accessories

Water side regulation is possible with manual valves O1-04 only. Two-way valve VP2-2C is not appropriate because of thermal actuator 230 V. Air supply side regulation (sets 09S) is defined separately, according to the order conditions.

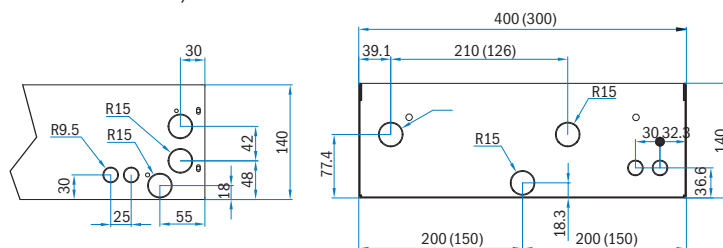


Dimensions of connectors

TK-S-13 Lx20x14
TKV-S-13 Lx20x14



TK-S-13 Lx30x14, Lx40x14
TKV-S-13 Lx30x14, Lx40x14



Basic requirements and information for ordering of TKV-S-13 regulation

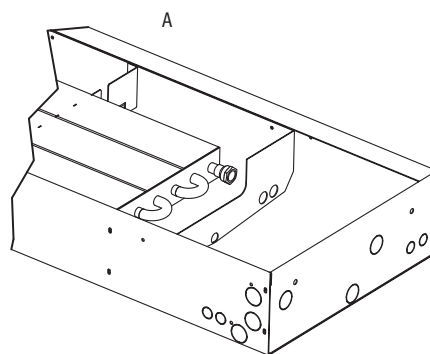
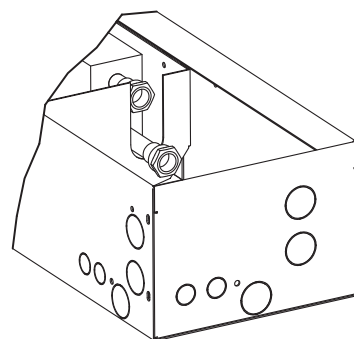
Up to 6 pieces 12 VAC ventilation fans can be controlled with a single 09S regulation unit. Three TKV-S-13 250x20x14/2/, units, up to six TKV-S-13-160x20x14/1/ units or any combination of these with no more than six ventilation fans in all TKV-S-13 units can be connected this way. Correct cross section selection for cables, connecting 09S regulation units with each TKV-S-13 unit is an important factor in the electrical installation phase. The cable cross section depends on the total power of each TKV-S and the cable length - the distance between each TKV-S and 09S the regulation box. Regulation box 09S which must be placed out of humid place!

The following information must be specified upon ordering in order to select the correct 09S regulation box size and related wiring (connection between 09S and TKV-S-13):

- Number and type of floor convectors (TKV-S-13) – the number of ventilation fans in each TKV-S-13, connected to a specific 09S regulation box is the most critical,
- Distance between electrical connection box of each TKV-S-13 and 09S regulation box (cable length),
- If more 09S regulation boxes are controlled using one T01 thermostat, this needs to be specified, which TKV-S-13 units are going to be connected to each 09S regulation unit.

Each TKV-S-13 must be connected to the 09S regulation box with its own cable.

Parallel connection of more TKV-S-13 units with one cable is not allowed.



Examples

Cross section of wires	2,5 mm ²	4 mm ²	6 mm ²
No. of ventilation fans	max. length [m]	max. length [m]	max. length [m]
n=1	25	40	60
n=2	12,5	20	30
n=3	8,5	13,5	20

NOTE: Examples are valid for copper wiring only.

Cooling and heating floor convectors TKH-13

Application

Cooling and heating floor convectors are designed for secondary cooling in the period of cooling demand, in some cases for primary room cooling. Their operation is the most efficient, when they are installed close to the heat source (solar radiation through windows...), to prevent room temperature raising. They are suitable for all rooms with large hot envelope surfaces (large windows, glazing, etc., ...). They are applied in buildings in which, due to the construction characteristics, ceiling cooling is not feasible. During the heating season, the convectors can be applied for room heating, similar way to TKV-13 type.

Operation

In the cooling mode, the TKH-13 floor convector draws in warm air from the areas around windows and hot walls, cools it in the heat exchanger, and feeds it back into the room. An insulated condensation collection tray is installed under the heat exchanger to collect and drain the condensate generated during the cooling of the air. In the heating mode, the process is inverted: the TKH draws in cold air from the window areas, heats it and feeds back into the room.

TKH-13 components (basic design)

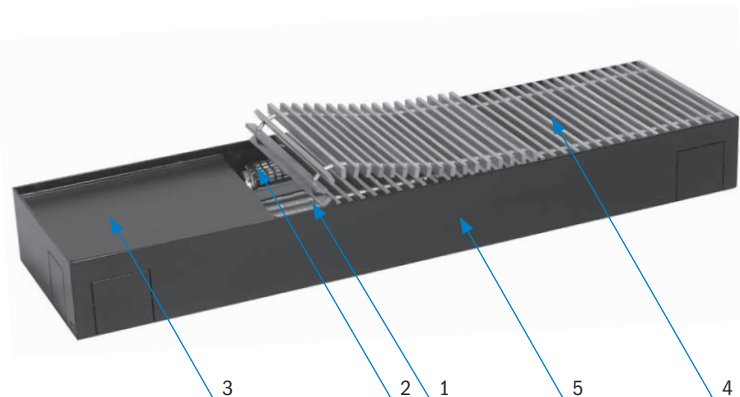
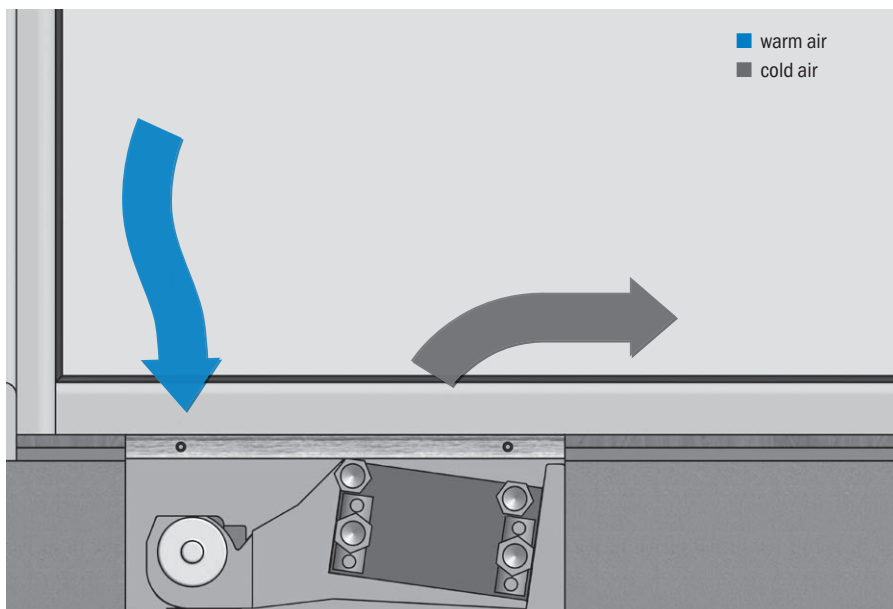
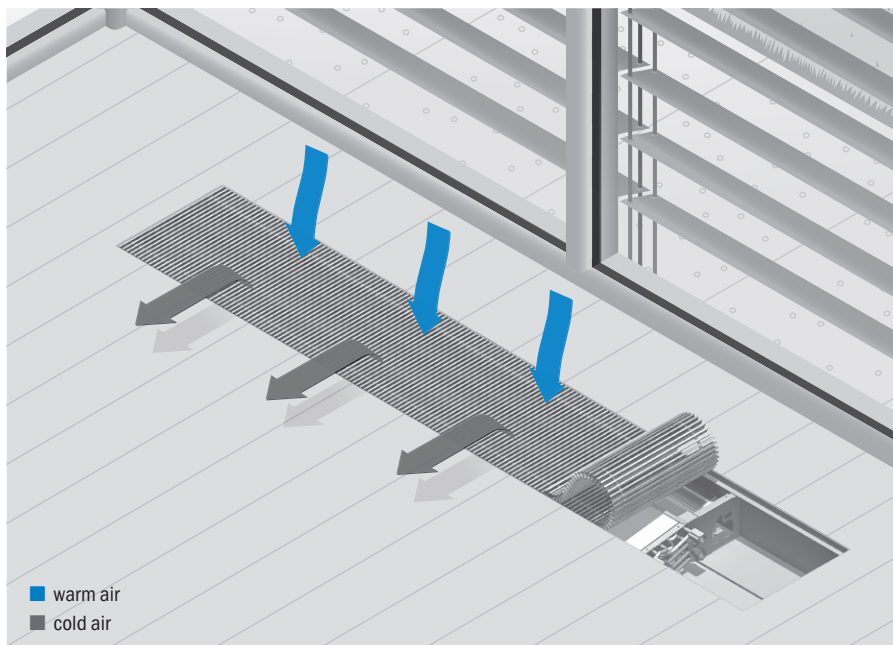
1. Heat exchanger,
2. Tangential fan,
3. Electric connection socket,
4. Tread-on grille,
5. Housing,
6. Condensation collection tray.

Types

Six TKH-13 models for 2-pipe systems and twelve TKH-13 models for 4-pipe systems are available.

Control accessories

The range of accessories equals to the one for TKV-13. Special designs of control accessories can be supplied on request.



■ **Technical data**

TKH-13 Lx34x14/2C/45

Cooling

Housing length L [mm]	Fan speed		Temperature regime												
			T _w [°C]	T _a [°C]	7/12			8/14			14/18				
	AC	EC	Q _{c,t} [W]	Q _{c,s} [W]	m _w [kg/h]	Δp _w [kPa]	Q _{c,t} [W]	Q _{c,s} [W]	m _w [kg/h]	Δp _w [kPa]	Q _{c,t} [W]	Q _{c,s} [W]	m _w [kg/h]	Δp _w [kPa]	
1250	MAX	100%	T _w	T _a	24	26	27	24	26	27	24	26	27		
			Q _{c,t}	1111	1308	1407	931	1150	1246	499	638	725			
			Q _{c,s}	927	1065	1135	814	948	1016	499	632	700			
	MED	70%	Q _{c,t}	957	1127	1213	791	991	1074	404	521	599			
			Q _{c,s}	750	862	919	659	768	823	404	512	567			
			m _w	164	193	208	113	142	153	87	112	128			
	MIN	50%	Q _{c,t}	737	867	933	604	762	826	299	388	450			
			Q _{c,s}	556	639	681	489	569	610	299	379	420			
			m _w	126	149	160	86	109	118	64	83	96			
2000	MAX	100%	Q _{c,t}	2114	2488	2678	1774	2187	2370	957	1223	1387			
			Q _{c,s}	1777	2043	2177	1562	1819	1949	957	1213	1343			
			m _w	362	427	459	254	313	339	205	262	297			
	MED	70%	Q _{c,t}	1662	1957	2106	1376	1720	1864	707	910	1045			
			Q _{c,s}	1313	1509	1608	1154	1344	1440	707	896	992			
			m _w	285	336	361	197	246	266	151	195	224			
	MIN	50%	Q _{c,t}	1428	1681	1808	1171	1478	1601	580	752	872			
			Q _{c,s}	1078	1239	1320	947	1103	1182	580	735	814			
			m _w	245	288	310	167	211	229	124	161	187			
2750	MAX	100%	Q _{c,t}	3072	3615	3890	2578	3178	3443	1390	1777	2016			
			Q _{c,s}	2582	2968	3163	2269	2643	2832	1390	1762	1951			
			m _w	527	620	667	368	454	492	298	381	432			
	MED	70%	Q _{c,t}	2451	2886	3106	2029	2536	2749	1042	1342	1542			
			Q _{c,s}	1936	2225	2371	1701	1981	2123	1042	1321	1463			
			m _w	420	495	533	290	362	393	223	288	330			
	MIN	50%	Q _{c,t}	2269	2671	2874	1864	2348	2544	928	1202	1393			
			Q _{c,s}	1725	1983	2113	1516	1766	1892	928	1177	1303			
			m _w	389	458	493	266	335	363	199	258	298			
			Δp _w	3,93	5,21	5,92	2,09	3,06	3,50	1,32	1,98	2,52			

Heating

Housing length L [mm]	Fan speed		Temperature regime			
			T _w [°C]	T _a [°C]	75/65	70/55
1250	MAX	100%	Q _h	3159	2580	1827
			m _w	271	147	157
			Δp _w	1,01	0,39	0,43
	MED	70%	Q _h	2120	1731	1226
			m _w	182	99	105
			Δp _w	0,54	0,22	0,24
	MIN	50%	Q _h	1516	1238	877
			m _w	130	71	75
			Δp _w	0,33	0,14	0,15
2000	MAX	100%	Q _h	6266	5117	3624
			m _w	537	292	311
			Δp _w	4,66	1,65	1,82
	MED	70%	Q _h	4201	3430	2430
			m _w	360	196	208
			Δp _w	2,33	0,87	0,95
	MIN	50%	Q _h	3064	2502	1772
			m _w	263	143	152
			Δp _w	1,38	0,54	0,59
2750	MAX	100%	Q _h	9326	7616	5394
			m _w	799	435	462
			Δp _w	12,57	4,25	4,72
	MED	70%	Q _h	6260	5112	3621
			m _w	537	292	310
			Δp _w	6,13	2,17	2,39
	MIN	50%	Q _h	4467	3648	2584
			m _w	383	208	221
			Δp _w	3,41	1,26	1,38

Definition of symbols

AC AC 230 V fan

EC DC 24 V fan, electronically commutated. Models with EC fans available on request only.

Q_{c,t} [W] Total cooling capacity at 50 % relative air humidity

Q_{c,s} [W] Sensible cooling capacity

Q_h [W] Heating capacity

m_w [kg/h] Water flow

Δp_w [kPa] Pressure drop on the waterside

T_w [°C] Water temperature

T_a [°C] Air temperature

TKH-13 Lx34x14/2C/60

Cooling

Housing length L [mm]	Fan speed	Temperature regime										
		T_w	[°C]	7/12			8/14			14/18		
		T_a	[°C]	24	26	27	24	26	27	24	26	27
1250	MAX	$Q_{c,t}$	[W]	1457	1714	1845	1223	1507	1633	659	843	956
		$Q_{c,s}$	[W]	1225	1407	1500	1076	1253	1343	659	836	925
		\dot{m}_w	[kg/h]	250	294	316	175	215	233	141	181	205
		Δp_w	[kPa]	0,99	1,30	1,46	0,57	0,78	0,89	0,41	0,60	0,73
	MED	$Q_{c,t}$	[W]	1352	1592	1713	1120	1399	1516	575	740	850
		$Q_{c,s}$	[W]	1068	1227	1308	938	1093	1171	575	729	807
		\dot{m}_w	[kg/h]	232	273	294	160	200	217	123	159	182
		Δp_w	[kPa]	0,88	1,15	1,29	0,50	0,70	0,79	0,34	0,49	0,61
	MIN	$Q_{c,t}$	[W]	1098	1292	1390	899	1136	1231	442	574	667
		$Q_{c,s}$	[W]	822	945	1007	722	841	902	442	561	621
		\dot{m}_w	[kg/h]	188	221	238	128	162	176	95	123	143
		Δp_w	[kPa]	0,64	0,82	0,92	0,36	0,51	0,57	0,23	0,34	0,42
2000	MAX	$Q_{c,t}$	[W]	2857	3361	3617	2402	2955	3202	1303	1665	1885
		$Q_{c,s}$	[W]	2420	2782	2965	2127	2477	2655	1303	1652	1829
		\dot{m}_w	[kg/h]	490	576	620	343	422	457	279	357	404
		Δp_w	[kPa]	4,45	5,93	6,76	2,41	3,44	3,95	1,71	2,58	3,19
	MED	$Q_{c,t}$	[W]	2523	2971	3198	2093	2611	2830	1081	1391	1595
		$Q_{c,s}$	[W]	2008	2308	2460	1765	2055	2202	1081	1370	1518
		\dot{m}_w	[kg/h]	433	509	548	299	373	404	232	298	342
		Δp_w	[kPa]	3,58	4,77	5,43	1,92	2,78	3,19	1,27	1,91	2,40
	MIN	$Q_{c,t}$	[W]	2317	2726	2933	1900	2397	2597	941	1220	1415
		$Q_{c,s}$	[W]	1748	2009	2141	1536	1789	1917	941	1193	1321
		\dot{m}_w	[kg/h]	397	467	503	271	342	371	202	261	303
		Δp_w	[kPa]	3,09	4,10	4,66	1,64	2,41	2,75	1,02	1,54	1,96
2750	MAX	$Q_{c,t}$	[W]	3655	4302	4630	3062	3782	4098	1641	2100	2385
		$Q_{c,s}$	[W]	3048	3504	3734	2679	3120	3343	1641	2080	2303
		\dot{m}_w	[kg/h]	627	738	794	438	540	585	352	450	511
		Δp_w	[kPa]	9,08	12,19	13,95	4,81	6,97	8,04	3,31	5,06	6,32
	MED	$Q_{c,t}$	[W]	3195	3762	4050	2650	3307	3584	1369	1761	2020
		$Q_{c,s}$	[W]	2543	2923	3115	2235	2603	2789	1369	1735	1922
		\dot{m}_w	[kg/h]	548	645	694	379	472	512	293	377	433
		Δp_w	[kPa]	7,14	9,57	10,92	3,76	5,50	6,34	2,45	3,74	4,73
	MIN	$Q_{c,t}$	[W]	2736	3220	3465	2244	2832	3068	1111	1441	1671
		$Q_{c,s}$	[W]	2065	2373	2529	1814	2113	2264	1111	1409	1560
		\dot{m}_w	[kg/h]	469	552	594	321	405	438	238	309	358
		Δp_w	[kPa]	5,44	7,24	8,25	2,84	4,21	4,83	1,75	2,67	3,42

Heating

Housing length L [mm]	Fan speed	Temperature regime				
		T_w	[°C]	75/65	70/55	55/45
		T_a	[°C]	20	20	20
1250	MAX	Q_h	[W]	4541	3708	2626
		\dot{m}_w	[kg/h]	389	212	225
		Δp_w	[kPa]	1,85	0,68	0,75
	MED	Q_h	[W]	3283	2681	1899
		\dot{m}_w	[kg/h]	281	153	163
		Δp_w	[kPa]	1,07	0,41	0,45
	MIN	Q_h	[W]	2552	2084	1476
		\dot{m}_w	[kg/h]	219	119	127
		Δp_w	[kPa]	0,72	0,29	0,31
2000	MAX	Q_h	[W]	9131	7456	5281
		\dot{m}_w	[kg/h]	783	426	453
		Δp_w	[kPa]	9,18	3,11	3,45
	MED	Q_h	[W]	6507	5314	3763
		\dot{m}_w	[kg/h]	558	304	323
		Δp_w	[kPa]	4,98	1,75	1,94
	MIN	Q_h	[W]	4861	3969	2811
		\dot{m}_w	[kg/h]	417	227	241
		Δp_w	[kPa]	2,99	1,09	1,20
2750	MAX	Q_h	[W]	13743	11222	7949
		\dot{m}_w	[kg/h]	1178	641	681
		Δp_w	[kPa]	25,84	8,42	9,40
	MED	Q_h	[W]	9731	7946	5628
		\dot{m}_w	[kg/h]	834	454	482
		Δp_w	[kPa]	13,60	4,57	5,08
	MIN	Q_h	[W]	8134	6642	4704
		\dot{m}_w	[kg/h]	697	380	403
		Δp_w	[kPa]	9,80	3,36	3,72

Definition of symbols

AC	AC 230 V fan
EC	DC 24 V fan, electronically commutated. Models with EC fans available on request only.
$Q_{c,t}$ [W]	Total cooling capacity at 50 % relative air humidity
$Q_{c,s}$ [W]	Sensible cooling capacity
Q_h [W]	Heating capacity
\dot{m}_w [kg/h]	Water flow
Δp_w [kPa]	Pressure drop on the waterside
T_w [°C]	Water temperature
T_a [°C]	Air temperature

TKH-13 Lx34x14/4C/45

Cooling

Housing length L [mm]	Fan speed		Temperature regime									
			T _w [°C]	T _a [°C]	7/12			8/14			14/18	
	AC	EC	24	26	27	24	26	27	24	26	27	
1250	MAX	100%	Q _{c,t} [W]	898	1057	1137	752	929	1006	403	516	586
			Q _{c,s} [W]	749	860	917	658	766	821	403	511	566
			m _w [kg/h]	154	181	195	107	133	144	86	111	126
			Δp _w [kPa]	0,38	0,49	0,55	0,22	0,30	0,34	0,16	0,23	0,28
	MED	70%	Q _{c,t} [W]	756	890	958	627	782	848	324	417	478
			Q _{c,s} [W]	602	692	737	529	616	660	324	411	455
			m _w [kg/h]	130	153	164	90	112	121	69	89	102
			Δp _w [kPa]	0,29	0,37	0,42	0,17	0,23	0,26	0,12	0,17	0,20
	MIN	50%	Q _{c,t} [W]	571	672	724	469	591	641	234	303	351
			Q _{c,s} [W]	434	499	532	382	445	476	234	296	328
			m _w [kg/h]	98	115	124	67	85	92	50	65	75
			Δp _w [kPa]	0,19	0,24	0,27	0,11	0,15	0,17	0,08	0,11	0,13
2000	MAX	100%	Q _{c,t} [W]	1753	2063	2221	1469	1814	1966	787	1007	1144
			Q _{c,s} [W]	1462	1681	1791	1285	1496	1603	787	998	1105
			m _w [kg/h]	301	354	381	210	259	281	169	216	245
			Δp _w [kPa]	1,45	1,92	2,19	0,79	1,12	1,29	0,55	0,83	1,02
	MED	70%	Q _{c,t} [W]	1465	1725	1856	1213	1516	1643	623	802	921
			Q _{c,s} [W]	1157	1330	1417	1017	1184	1269	623	789	874
			m _w [kg/h]	251	296	318	173	217	235	133	172	197
			Δp _w [kPa]	1,06	1,41	1,60	0,58	0,83	0,95	0,38	0,57	0,71
	MIN	50%	Q _{c,t} [W]	1175	1383	1488	964	1216	1317	477	619	718
			Q _{c,s} [W]	887	1019	1086	779	907	972	477	605	670
			m _w [kg/h]	201	237	255	138	174	188	102	133	154
			Δp _w [kPa]	0,74	0,97	1,09	0,40	0,58	0,66	0,26	0,38	0,48
2750	MAX	100%	Q _{c,t} [W]	2523	2970	3197	2114	2611	2829	1133	1450	1647
			Q _{c,s} [W]	2105	2419	2578	1850	2154	2308	1133	1436	1590
			m _w [kg/h]	433	509	548	302	373	404	243	311	353
			Δp _w [kPa]	3,35	4,50	5,14	1,78	2,57	2,96	1,22	1,87	2,33
	MED	70%	Q _{c,t} [W]	1894	2230	2400	1568	1960	2124	805	1037	1191
			Q _{c,s} [W]	1496	1719	1832	1314	1531	1640	805	1021	1130
			m _w [kg/h]	325	382	411	224	280	303	173	222	255
			Δp _w [kPa]	2,01	2,69	3,06	1,07	1,56	1,79	0,70	1,06	1,33
	MIN	50%	Q _{c,t} [W]	1628	1916	2062	1335	1685	1826	661	857	995
			Q _{c,s} [W]	1229	1412	1505	1080	1258	1347	661	838	928
			m _w [kg/h]	279	329	354	191	241	261	142	184	213
			Δp _w [kPa]	1,55	2,06	2,34	0,82	1,21	1,38	0,51	0,77	0,98

Heating

Housing length L [mm]	Fan speed		Temperature regime			
			T _w [°C]	T _a [°C]	75/65	70/55
	AC	EC	20	20	20	
1250	MAX	100%	Q _h [W]	1496	1222	865
			m _w [kg/h]	128	70	74
			Δp _w [kPa]	0,93	0,36	0,40
	MED	70%	Q _h [W]	1042	851	603
			m _w [kg/h]	89	49	52
			Δp _w [kPa]	0,52	0,22	0,24
MIN	50%	Q _h [W]	674	550	390	
		m _w [kg/h]	58	32	33	
		Δp _w [kPa]	0,28	0,12	0,13	
2000	MAX	100%	Q _h [W]	3185	2601	1842
			m _w [kg/h]	273	149	158
			Δp _w [kPa]	5,80	2,05	2,26
	MED	70%	Q _h [W]	2016	1646	1166
			m _w [kg/h]	173	94	100
			Δp _w [kPa]	2,63	0,99	1,08
MIN	50%	Q _h [W]	1457	1190	843	
		m _w [kg/h]	125	68	72	
		Δp _w [kPa]	1,54	0,61	0,66	
2750	MAX	100%	Q _h [W]	5085	4152	2941
			m _w [kg/h]	436	237	252
			Δp _w [kPa]	19,49	6,53	7,26
	MED	70%	Q _h [W]	2994	2445	1732
			m _w [kg/h]	257	140	148
			Δp _w [kPa]	7,49	2,66	2,94
MIN	50%	Q _h [W]	2146	1752	1241	
		m _w [kg/h]	184	100	106	
		Δp _w [kPa]	4,21	1,56	1,72	

Definition of symbols

AC AC 230 V fan

EC DC 24 V fan, electronically commutated. Models with EC fans available on request only.

Q_{c,t} [W] Total cooling capacity at 50 % relative air humidity

Q_{c,s} [W] Sensible cooling capacity

Q_h [W] Heating capacity

m_w [kg/h] Water flow

Δp_w [kPa] Pressure drop on the waterside

T_w [°C] Water temperature

T_a [°C] Air temperature

TKH-13 Lx40x14/4C/45

Cooling

Housing length L [mm]	Fan speed		Temperature regime									
			T _w [°C]	7/12			8/14			14/18		
	AC	EC	T _a [°C]	24	26	27	24	26	27	24	26	27
1250	MAX	100%	Q _{c,t} [W]	1020	1201	1292	855	1055	1144	458	586	666
			Q _{c,s} [W]	851	978	1042	748	871	933	458	580	643
			m _w [kg/h]	175	206	222	122	151	163	98	126	143
			Δp _w [kPa]	0,54	0,70	0,79	0,31	0,42	0,48	0,22	0,32	0,39
	MED	70%	Q _{c,t} [W]	860	1012	1089	713	890	964	368	474	543
			Q _{c,s} [W]	684	786	838	601	700	750	368	467	517
			m _w [kg/h]	147	174	187	102	127	138	79	102	116
			Δp _w [kPa]	0,41	0,53	0,60	0,23	0,33	0,37	0,16	0,23	0,28
	MIN	50%	Q _{c,t} [W]	649	763	821	533	671	727	265	344	398
			Q _{c,s} [W]	493	567	604	433	505	541	265	336	373
			m _w [kg/h]	111	131	141	76	96	104	57	74	85
			Δp _w [kPa]	0,27	0,34	0,38	0,15	0,21	0,24	0,10	0,15	0,18
2000	MAX	100%	Q _{c,t} [W]	2019	2377	2558	1692	2089	2264	906	1160	1318
			Q _{c,s} [W]	1684	1936	2063	1480	1724	1847	906	1149	1273
			m _w [kg/h]	346	408	439	242	299	323	194	249	282
			Δp _w [kPa]	2,15	2,86	3,27	1,16	1,66	1,91	0,80	1,21	1,51
	MED	70%	Q _{c,t} [W]	1668	1965	2114	1381	1727	1871	709	914	1049
			Q _{c,s} [W]	1318	1514	1614	1158	1349	1445	709	899	996
			m _w [kg/h]	286	337	363	197	247	267	152	196	225
			Δp _w [kPa]	1,54	2,04	2,33	0,83	1,20	1,37	0,54	0,82	1,02
	MIN	50%	Q _{c,t} [W]	1354	1593	1714	1110	1401	1517	550	713	827
			Q _{c,s} [W]	1021	1174	1251	898	1045	1120	550	697	772
			m _w [kg/h]	232	273	294	159	200	217	118	153	177
			Δp _w [kPa]	1,08	1,42	1,61	0,58	0,84	0,96	0,37	0,55	0,69
2750	MAX	100%	Q _{c,t} [W]	2786	3279	3529	2334	2882	3123	1250	1600	1818
			Q _{c,s} [W]	2323	2670	2846	2042	2378	2548	1250	1585	1756
			m _w [kg/h]	478	562	605	333	412	446	268	343	390
			Δp _w [kPa]	4,63	6,23	7,13	2,44	3,55	4,10	1,67	2,57	3,21
	MED	70%	Q _{c,t} [W]	2074	2442	2629	1720	2146	2326	888	1143	1311
			Q _{c,s} [W]	1651	1897	2022	1451	1690	1810	888	1126	1247
			m _w [kg/h]	356	419	451	246	307	332	190	245	281
			Δp _w [kPa]	2,73	3,65	4,17	1,45	2,11	2,43	0,95	1,44	1,82
	MIN	50%	Q _{c,t} [W]	1784	2099	2259	1465	1846	2000	730	945	1095
			Q _{c,s} [W]	1356	1559	1661	1192	1388	1487	730	925	1025
			m _w [kg/h]	306	360	387	209	264	286	156	203	235
			Δp _w [kPa]	2,10	2,79	3,18	1,11	1,63	1,87	0,69	1,05	1,34

Heating

Housing length L [mm]	Fan speed		Temperature regime			
			T _w [°C]	75/65		70/55
	AC	EC	T _a [°C]	20	20	20
1250	MAX	100%	Q _h [W]	2301	1879	1331
			m _w [kg/h]	197	107	114
			Δp _w [kPa]	2,14	0,79	0,87
	MED	70%	Q _h [W]	1555	1270	899
			m _w [kg/h]	133	73	77
			Δp _w [kPa]	1,11	0,43	0,47
	MIN	50%	Q _h [W]	1073	876	621
			m _w [kg/h]	92	50	53
			Δp _w [kPa]	0,62	0,25	0,28
2000	MAX	100%	Q _h [W]	4519	3690	2614
			m _w [kg/h]	387	211	224
			Δp _w [kPa]	12,30	4,17	4,63
	MED	70%	Q _h [W]	3054	2494	1766
			m _w [kg/h]	262	143	151
			Δp _w [kPa]	6,08	2,15	2,38
	MIN	50%	Q _h [W]	2227	1819	1288
			m _w [kg/h]	191	104	110
			Δp _w [kPa]	3,51	1,30	1,43
2750	MAX	100%	Q _h [W]	6780	5536	3921
			m _w [kg/h]	581	316	336
			Δp _w [kPa]	37,60	12,27	13,69
	MED	70%	Q _h [W]	4551	3716	2632
			m _w [kg/h]	390	212	226
			Δp _w [kPa]	17,95	6,08	6,75
	MIN	50%	Q _h [W]	3250	2654	1880
			m _w [kg/h]	279	152	161
			Δp _w [kPa]	9,78	3,44	3,80

Definition of symbols

AC AC 230 V fan

EC DC 24 V fan, electronically commutated. Models with EC fans available on request only.

Q_{c,t} [W] Total cooling capacity at 50 % relative air humidity

Q_{c,s} [W] Sensible cooling capacity

Q_h [W] Heating capacity

m_w [kg/h] Water flow

Δp_w [kPa] Pressure drop on the waterside

T_w [°C] Water temperature

T_a [°C] Air temperature

TKH-13 Lx34x14/4C/60

Cooling

Housing length L [mm]	Fan speed	Temperature regime											
		T_w	[°C]	7/12			8/14			14/18			
		T_a	[°C]	24	26	27	24	26	27	24	26	27	
1250	MAX	$Q_{c,t}$	[W]	1247	1468	1580	1045	1290	1398	560	716	814	
		$Q_{c,s}$	[W]	1040	1195	1274	914	1065	1141	560	710	786	
		\dot{m}_w	[kg/h]	214	252	271	149	184	200	120	154	174	
	MED	Δp_w	[kPa]	0,64	0,85	0,96	0,36	0,51	0,58	0,26	0,38	0,46	
		$Q_{c,t}$	[W]	1051	1238	1333	872	1088	1179	450	580	665	
		$Q_{c,s}$	[W]	837	962	1025	735	856	918	450	571	632	
	MIN	\dot{m}_w	[kg/h]	180	212	228	125	155	169	97	124	142	
		Δp_w	[kPa]	0,49	0,64	0,72	0,27	0,38	0,44	0,19	0,27	0,34	
		$Q_{c,t}$	[W]	794	934	1005	652	821	890	325	421	487	
	2000	MAX	$Q_{c,t}$	[W]	2389	2812	3027	2002	2472	2679	1073	1373	1559
			$Q_{c,s}$	[W]	1993	2290	2441	1751	2040	2185	1073	1360	1506
			\dot{m}_w	[kg/h]	410	482	519	286	353	383	230	294	334
MED		Δp_w	[kPa]	2,49	3,34	3,82	1,33	1,92	2,21	0,92	1,39	1,74	
		$Q_{c,t}$	[W]	1997	2352	2531	1654	2067	2240	849	1093	1256	
		$Q_{c,s}$	[W]	1577	1813	1932	1386	1614	1730	849	1076	1192	
MIN		\dot{m}_w	[kg/h]	342	403	434	236	295	320	182	234	269	
		Δp_w	[kPa]	1,82	2,42	2,77	0,96	1,40	1,61	0,62	0,95	1,20	
		$Q_{c,t}$	[W]	1601	1885	2028	1313	1657	1795	650	843	978	
2750		MAX	$Q_{c,s}$	[W]	1208	1389	1480	1062	1237	1325	650	824	913
			\dot{m}_w	[kg/h]	275	323	348	188	237	257	139	181	210
			Δp_w	[kPa]	1,24	1,64	1,87	0,66	0,96	1,10	0,41	0,62	0,79
	MED	$Q_{c,t}$	[W]	3282	3863	4158	2750	3396	3680	1473	1886	2142	
		$Q_{c,s}$	[W]	2737	3146	3353	2406	2802	3002	1473	1868	2068	
		\dot{m}_w	[kg/h]	563	662	713	393	485	526	316	404	459	
	MIN	Δp_w	[kPa]	5,39	7,29	8,35	2,82	4,12	4,76	1,92	2,96	3,72	
		$Q_{c,t}$	[W]	2462	2899	3120	2039	2548	2762	1047	1348	1549	
		$Q_{c,s}$	[W]	1945	2235	2382	1709	1990	2133	1047	1327	1469	
	MAX	\dot{m}_w	[kg/h]	422	497	535	291	364	395	224	289	332	
		Δp_w	[kPa]	3,20	4,30	4,92	1,67	2,46	2,84	1,07	1,65	2,09	
		$Q_{c,t}$	[W]	2116	2491	2680	1736	2190	2373	859	1114	1293	
$Q_{c,s}$		[W]	1597	1835	1956	1403	1634	1751	859	1090	1207		
\dot{m}_w		[kg/h]	363	427	459	248	313	339	184	239	277		
Δp_w		[kPa]	2,45	3,27	3,73	1,27	1,89	2,17	0,78	1,19	1,53		

Heating

Housing length L [mm]	Fan speed	Temperature regime				
		T_w	[°C]	75/65	70/55	55/45
		T_a	[°C]	20	20	20
1250	MAX	Q_h	[W]	2249	1837	1301
		\dot{m}_w	[kg/h]	193	105	112
		Δp_w	[kPa]	1,82	0,67	0,74
	MED	Q_h	[W]	1570	1282	908
		\dot{m}_w	[kg/h]	135	73	78
		Δp_w	[kPa]	1,00	0,39	0,43
	MIN	Q_h	[W]	1013	827	586
		\dot{m}_w	[kg/h]	87	47	50
		Δp_w	[kPa]	0,50	0,21	0,23
2000	MAX	Q_h	[W]	4829	3943	2793
		\dot{m}_w	[kg/h]	414	225	239
		Δp_w	[kPa]	12,31	4,14	4,60
	MED	Q_h	[W]	3084	2518	1784
		\dot{m}_w	[kg/h]	264	144	153
		Δp_w	[kPa]	5,48	1,94	2,14
	MIN	Q_h	[W]	2229	1820	1289
		\dot{m}_w	[kg/h]	191	104	111
		Δp_w	[kPa]	3,12	1,15	1,27
2750	MAX	Q_h	[W]	7469	6099	4320
		\dot{m}_w	[kg/h]	640	349	370
		Δp_w	[kPa]	39,98	12,95	14,45
	MED	Q_h	[W]	4596	3753	2658
		\dot{m}_w	[kg/h]	394	215	228
		Δp_w	[kPa]	16,19	5,47	6,08
	MIN	Q_h	[W]	3282	2680	1898
		\dot{m}_w	[kg/h]	281	153	163
		Δp_w	[kPa]	8,81	3,10	3,42

Definition of symbols

AC	AC 230 V fan
EC	DC 24 V fan, electronically commutated. Models with EC fans available on request only.
$Q_{c,t}$ [W]	Total cooling capacity at 50 % relative air humidity
$Q_{c,s}$ [W]	Sensible cooling capacity
Q_h [W]	Heating capacity
\dot{m}_w [kg/h]	Water flow
Δp_w [kPa]	Pressure drop on the waterside
T_w [°C]	Water temperature
T_a [°C]	Air temperature

TKH-13 Lx40x14/4C/60

Cooling

Housing length L [mm]	Fan speed	Temperature regime											
		T_w [°C]	T_a [°C]	7/12			8/14			14/18			
1250	MAX	$Q_{c,t}$ [W]		1417	1668	1796	1187	1467	1589	636	814	925	
		$Q_{c,s}$ [W]		1182	1359	1448	1039	1210	1296	636	807	893	
		\dot{m}_w [kg/h]		243	286	308	170	210	227	136	175	198	
	MED	Δp_w [kPa]		0,92	1,22	1,38	0,51	0,72	0,82	0,36	0,54	0,66	
		$Q_{c,t}$ [W]		1195	1407	1515	991	1237	1340	512	659	755	
		$Q_{c,s}$ [W]		951	1093	1165	836	973	1043	512	649	719	
	MIN	\dot{m}_w [kg/h]		205	241	260	142	177	192	110	141	162	
		Δp_w [kPa]		0,70	0,91	1,03	0,38	0,55	0,62	0,26	0,38	0,47	
		$Q_{c,t}$ [W]		902	1062	1142	741	933	1011	369	478	554	
	2000	MAX	$Q_{c,t}$ [W]		2747	3233	3479	2301	2842	3079	1233	1578	1792
			$Q_{c,s}$ [W]		2291	2633	2806	2013	2345	2512	1233	1563	1731
			\dot{m}_w [kg/h]		471	554	597	329	406	440	264	338	384
MED		Δp_w [kPa]		3,71	5,00	5,72	1,96	2,85	3,29	1,34	2,06	2,58	
		$Q_{c,t}$ [W]		2270	2673	2877	1880	2349	2546	965	1243	1428	
		$Q_{c,s}$ [W]		1793	2061	2196	1576	1835	1966	965	1223	1355	
MIN		\dot{m}_w [kg/h]		389	458	493	269	336	364	207	266	306	
		Δp_w [kPa]		2,64	3,54	4,04	1,38	2,03	2,34	0,89	1,36	1,73	
		$Q_{c,t}$ [W]		1841	2166	2330	1509	1904	2063	747	969	1124	
2750		MAX	$Q_{c,s}$ [W]		1389	1596	1701	1220	1421	1523	747	948	1049
			\dot{m}_w [kg/h]		316	371	400	216	272	295	160	208	241
			Δp_w [kPa]		1,83	2,43	2,76	0,96	1,41	1,62	0,59	0,90	1,15
	MED	$Q_{c,t}$ [W]		3623	4264	4589	3035	3748	4062	1626	2081	2364	
		$Q_{c,s}$ [W]		3021	3473	3701	2655	3092	3313	1626	2062	2283	
		\dot{m}_w [kg/h]		621	731	787	434	536	580	349	446	507	
	MIN	Δp_w [kPa]		7,49	10,13	11,63	3,89	5,70	6,61	2,64	4,09	5,15	
		$Q_{c,t}$ [W]		2697	3175	3418	2237	2791	3025	1155	1486	1705	
		$Q_{c,s}$ [W]		2146	2467	2629	1886	2197	2354	1155	1464	1622	
	MAX	\dot{m}_w [kg/h]		462	544	586	320	399	432	248	319	365	
		Δp_w [kPa]		4,37	5,88	6,72	2,27	3,35	3,87	1,46	2,26	2,87	
		$Q_{c,t}$ [W]		2318	2729	2936	1904	2399	2599	949	1229	1423	
$Q_{c,s}$ [W]			1762	2026	2159	1549	1804	1933	949	1203	1332		
\dot{m}_w [kg/h]			398	468	503	272	343	371	203	263	305		
Δp_w [kPa]			3,33	4,46	5,09	1,72	2,56	2,95	1,05	1,62	2,09		

Heating

Housing length L [mm]	Fan speed	Temperature regime				
		T_w [°C]	T_a [°C]	75/65	70/55	55/45
1250	MAX	Q_h [W]		3490	2850	2019
		\dot{m}_w [kg/h]		299	163	173
		Δp_w [kPa]		4,44	1,55	1,71
	MED	Q_h [W]		2359	1926	1364
		\dot{m}_w [kg/h]		202	110	117
		Δp_w [kPa]		2,23	0,82	0,90
	MIN	Q_h [W]		1628	1329	942
		\dot{m}_w [kg/h]		140	76	81
		Δp_w [kPa]		1,20	0,46	0,51
	MAX	Q_h [W]		7161	5848	4142
		\dot{m}_w [kg/h]		614	334	355
		Δp_w [kPa]		28,93	9,40	10,49
Q_h [W]			4842	3954	2800	
\dot{m}_w [kg/h]			415	226	240	
Δp_w [kPa]			13,96	4,70	5,22	
MED	Q_h [W]		3530	2883	2042	
	\dot{m}_w [kg/h]		303	165	175	
	Δp_w [kPa]		7,86	2,74	3,03	
MAX	Q_h [W]		10373	8470	5999	
	\dot{m}_w [kg/h]		889	484	514	
	Δp_w [kPa]		84,33	26,72	29,91	
	Q_h [W]		6963	5686	4027	
	\dot{m}_w [kg/h]		597	325	345	
	Δp_w [kPa]		39,53	12,87	14,36	
MED	Q_h [W]		4972	4060	2876	
	\dot{m}_w [kg/h]		426	232	247	
	Δp_w [kPa]		21,11	7,08	7,88	

Definition of symbols

AC	AC 230 V fan
EC	DC 24 V fan, electronically commutated. Models with EC fans available on request only.
$Q_{c,t}$ [W]	Total cooling capacity at 50 % relative air humidity
$Q_{c,s}$ [W]	Sensible cooling capacity
Q_h [W]	Heating capacity
\dot{m}_w [kg/h]	Water flow
Δp_w [kPa]	Pressure drop on the waterside
T_w [°C]	Water temperature
T_a [°C]	Air temperature

Other technical data

TKH-13 Lx34x14/.../2C/45

Housing length L [mm]	No. of fans	Water connector dimension ["]	Water content in the heat exchanger [l]	Max. air flow [m ³ /h]	Sound power L _{WA} [dB]	Sound pressure L _{pA} [dB]	Max. input power [W]	Max. input current [A]
1250	1	1/2	1,2	160	46	38	24	0,20
					37	29		
					31	23		
2000	2	3/4	2,2	320	48	39	48	0,40
					40	31		
					34	25		
					50	40		
2750	3	3/4	3,2	480	41	31	72	0,60
					36	26		

TKH-13 Lx34x14/.../2C/60

Housing length L [mm]	No. of fans	Water connector dimension ["]	Water content in the heat exchanger [l]	Max. air flow [m ³ /h]	Sound power L _{WA} [dB]	Sound pressure L _{pA} [dB]	Max. input power [W]	Max. input current [A]
1250	1	1/2	1,2	250	50	42	20	0,12
					42	34		
					39	31		
2000	2	3/4	2,2	500	54	45	40	0,24
					47	38		
					40	31		
					55	45		
2750	3	3/4	3,2	750	48	38	60	0,36
					42	32		

TKH-13 Lx34x14/.../4C/45

Housing length L [mm]	No. of fans	Water connector dimension ["]	Water content in the heat exchanger, heating [l]	Water content in the heat exchanger, cooling [l]	Max. air flow [m ³ /h]	Sound power L _{WA} [dB]	Sound pressure L _{pA} [dB]	Max. input power [W]	Max. input current [A]
1250	1	1/2	0,4	1,1	160	44	36	24	0,20
						35	27		
						<30	21		
2000	2	1/2	0,7	2,0	320	47	38	48	0,40
						38	29		
						31	22		
						49	39		
2750	3	1/2	1,0	2,9	480	40	30	72	0,60
						34	24		

TKH-13 Lx40x14/.../4C/45

Housing length L [mm]	No. of fans	Water connector dimension ["]	Water content in the heat exchanger, heating [l]	Water content in the heat exchanger, cooling [l]	Max. air flow [m ³ /h]	Sound power L _{WA} [dB]	Sound pressure L _{pA} [dB]	Max. input power [W]	Max. input current [A]
1250	1	1/2	0,5	1,4	160	44	36	24	0,20
						35	27		
						<30	21		
2000	2	1/2	0,9	2,6	320	47	38	48	0,40
						38	29		
						31	22		
						49	39		
2750	3	1/2	1,3	3,9	480	40	30	72	0,60
						34	24		

TKH-13 Lx34x14/.../4C/60

Housing length L [mm]	No. of fans	Water connector dimension ["]	Water content in the heat exchanger, heating [l]	Water content in the heat exchanger, cooling [l]	Max. air flow [m ³ /h]	Sound power L _{WA} [dB]	Sound pressure L _{pA} [dB]	Max. input power [W]	Max. input current [A]
								AC	AC
1250	1	1/2	0,4	1,1	250	52	44	20	0,12
						44	36		
						36	28		
2000	2	1/2	0,7	2,0	500	54	45	40	0,24
						47	38		
						39	30		
2750	3	1/2	1,0	2,9	750	56	46	60	0,36
						49	39		
						41	31		

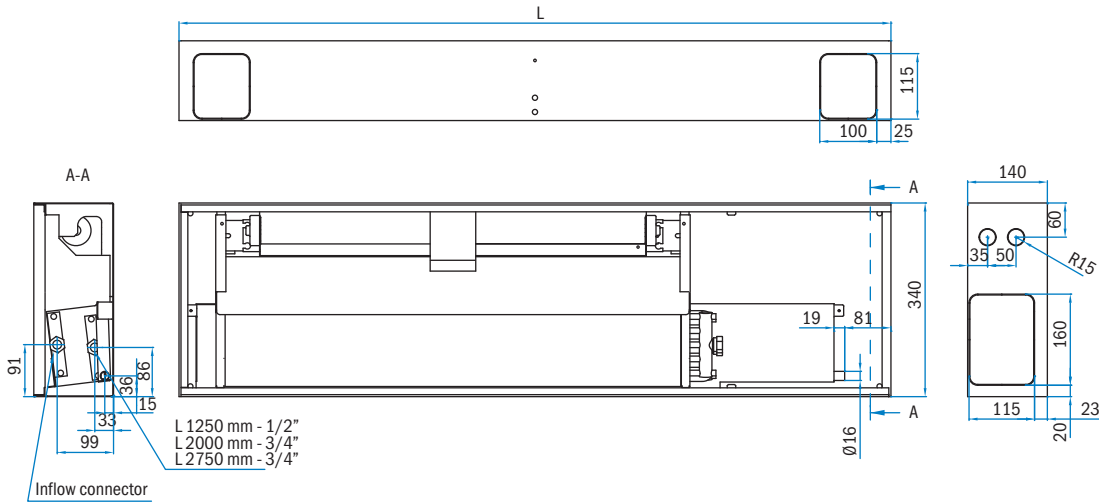
TKH-13 Lx40x14/.../4C/60

Housing length L [mm]	No. of fans	Water connector dimension ["]	Water content in the heat exchanger, heating [l]	Water content in the heat exchanger, cooling [l]	Max. air flow [m ³ /h]	Sound power L _{WA} [dB]	Sound pressure L _{pA} [dB]	Max. input power [W]	Max. input current [A]
								AC	AC
1250	1	1/2	0,5	1,4	250	50	42	20	0,12
						43	35		
						36	28		
2000	2	1/2	0,9	2,6	500	52	43	40	0,24
						45	36		
						38	29		
2750	3	1/2	1,3	3,9	750	54	44	60	0,36
						47	37		
						40	30		

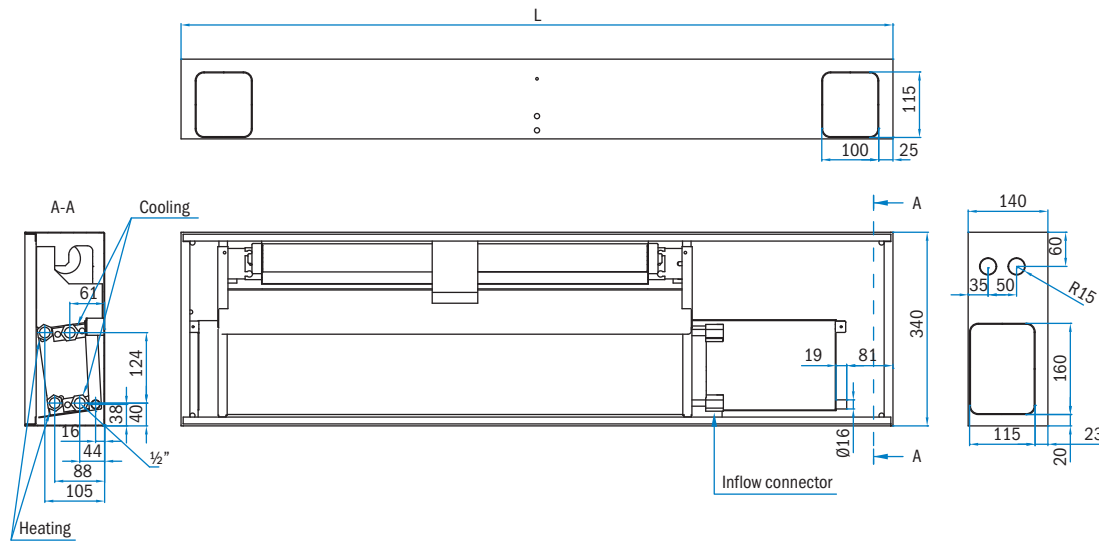
Note: The level of sound pressure L_{pA} is calculated based on the level of sound power L_{WA} emitted by the noise source at a certain distance (1 m) and depends on the installation type (free space or next to a wall).

■ Dimensions

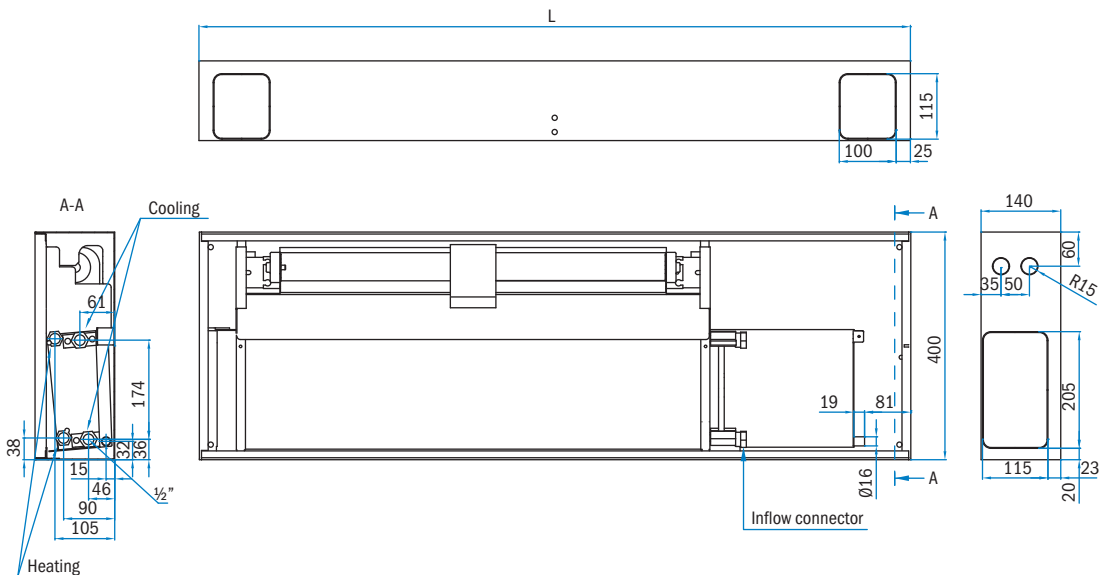
TKH-13 Lx34x14/.../2C



TKH-13 Lx34x14/.../4C

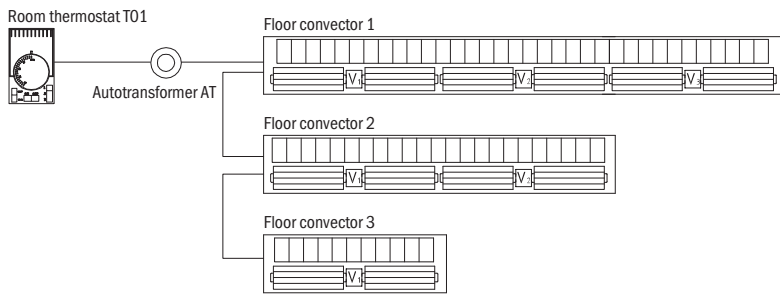


TKH-13 Lx40x14/.../4C

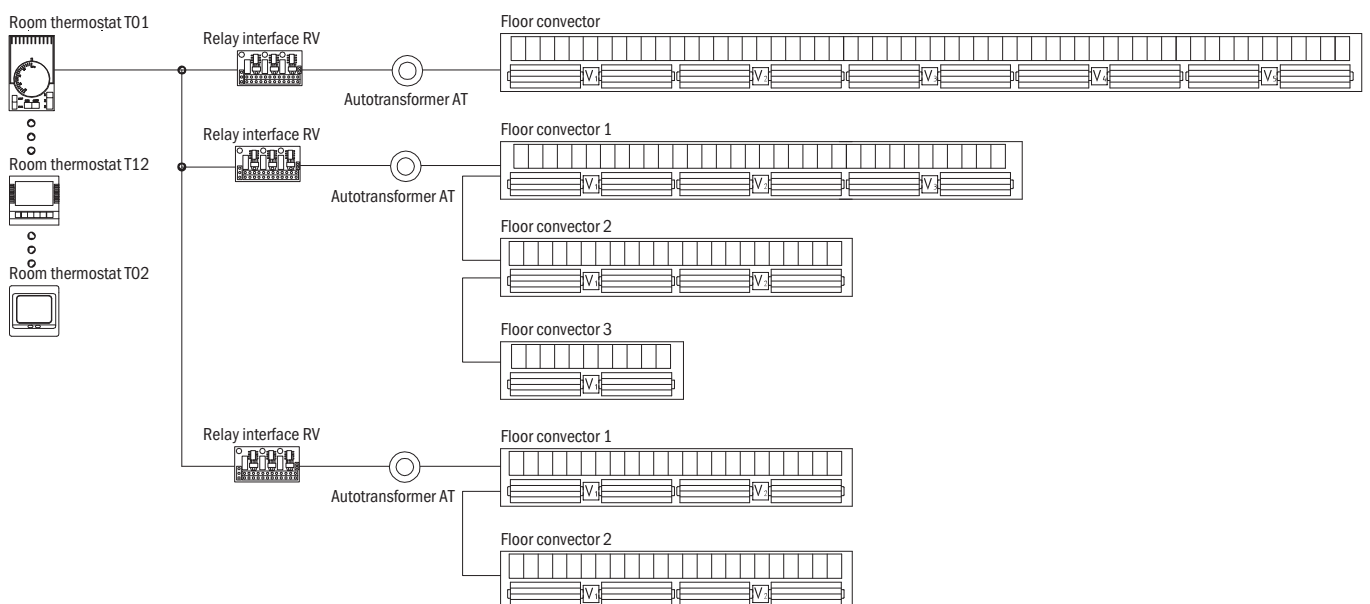


Examples of floor convectors connections into groups

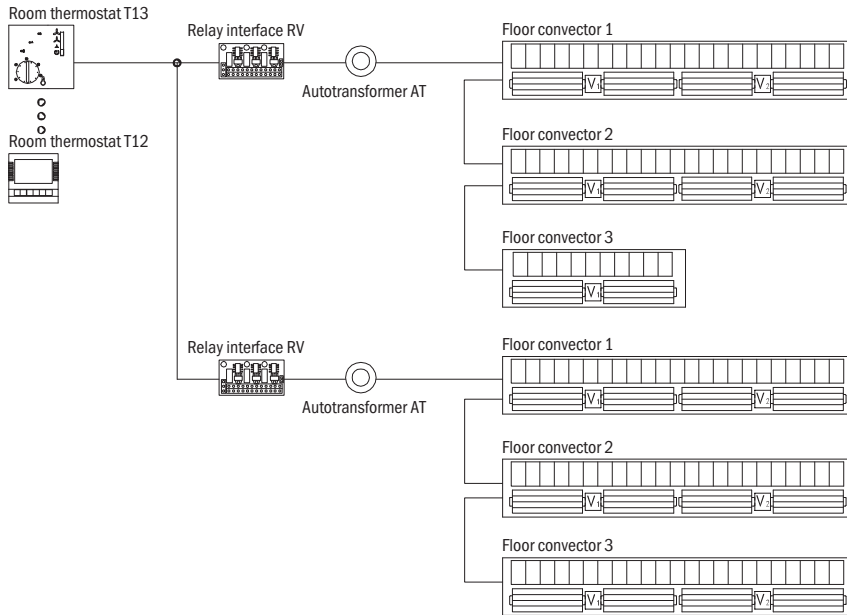
Example 1: 2-2-pipe system, room thermostat, up to 6 fans



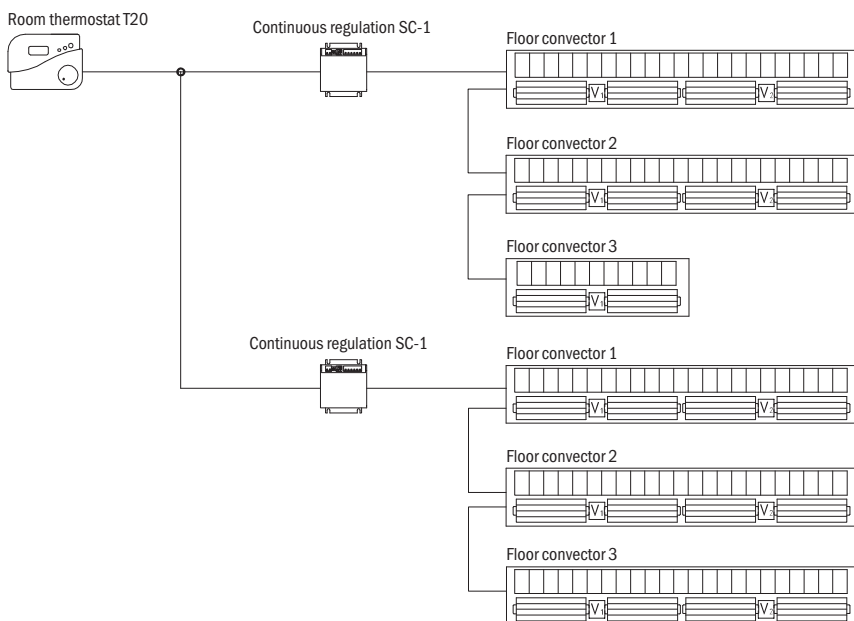
Example 2: 2-pipe system, room thermostat, more than 6 fans



Example 3: 4-4-pipe system, room thermostat, more than 6 fans



Example 4: Continuous regulation



Accessories

Code	Tread-on grille	
111	Standard tread-on grille design: Longitudinal fixed aluminium grille	Anodised Standard: natural aluminium colour, black, brass colour On request: chocolate, bronze
114	Roll-up aluminium grille	Anodised Standard: natural aluminium colour, black, brass colour On request: chocolate (114E), bronze (114F)
114W	Roll-up wooden grille	Wood type Standard: oak, ash, walnut, mahogany, On request: wenge (114W5), cherry (114W6)
114SS	Roll-up grille	Stainless steel

Code	Control accessories
	Water side control (control of the warm water flow rate into the convector)
01	Thermostat valve R1/2", R3/4", straight
02	Thermostat valve R1/2", R3/4", angular
03	Radiator shut-off cock R1/2", R3/4", straight
04	Radiator shut-off cock R1/2", R3/4", angular
VP2	Two-way valve with ET actuators ON-OFF (2-pipe set)
VP4	Two-way valve with ET actuators ON-OFF (4-pipe set)
VT2	Three way valve with ET actuator ON-OFF (2-pipe set)
VT4	Three way valve with ET actuator ON-OFF (4-pipe set)

	Air side control (fan operation control)
T01	Room thermostat for 2-pipe systems, surface installation
T02	LCD room thermostat for 2-pipe systems, semi-flush installation
T12	LCD room thermostat for 2- and 4-pipe systems, semi-flush installation
T13	Room thermostat for 4-pipe systems, surface installation
T20	Room thermostat for continuous regulation of AC fans, surface installation
RV	Relay interface for 2- and 4-pipe systems
09S	Fan speed controller for TKV-S-13
SC 1	Room thermostat for continuous regulation of AC fans
AT45	Autotransformer for AC fans control for TKV-13 and TKH-13/45
AT60	Autotransformer for AC fans control TKH-13/60

Code	Other accessories
010(xx°)	Corner design of convector and grille
017	Housing thermal insulation
018	Wooden protection cover (protection of the convector during the installation)
020(Rxxxx)	Round shaped convector and grille
021	Aluminium frame, fixed to the housing
028	Level adjusting legs, leveling height 20 – 70 mm
029	Level adjusting and support legs, with reinforced housing (upon request)
032	Connection for fresh air supply, without damper (upon request)
033	Connection for fresh air supply, with damper (upon request)

Types and colours of tread-on grilles

Longitudinal aluminium tread-on grilles

111D longitudinal fixed grille, anodised in natural aluminium colour



111B longitudinal fixed grille, anodised in black colour

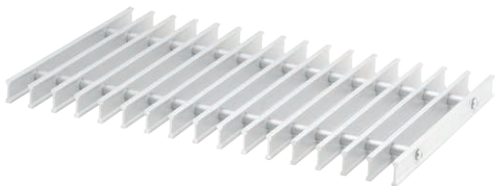


111C longitudinal fixed grille, anodised in brass colour

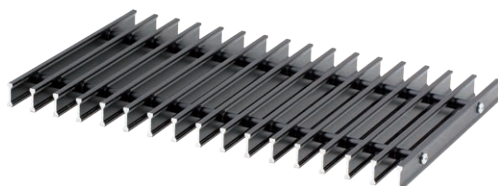


Aluminium and stainless steel roll-up grilles

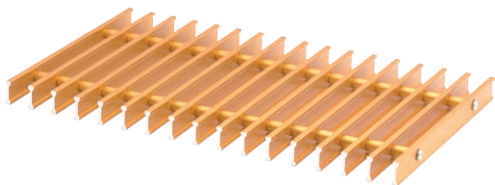
114D roll-up grille, anodised in natural aluminium colour



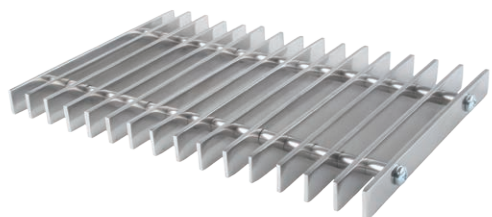
114B roll-up grille, anodised in black colour



114C roll-up grille, anodised in brass colour

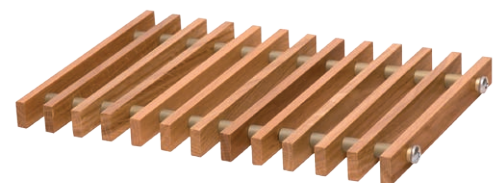


114SS roll-up grille, stainless steel

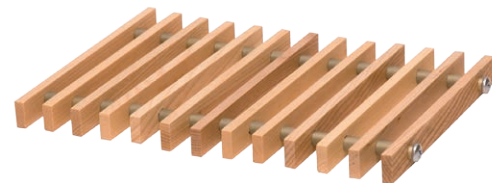


Wooden roll-up grilles

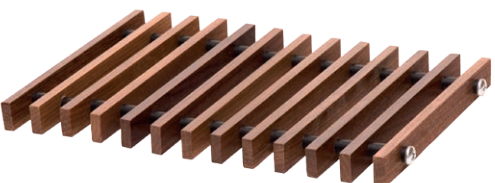
114W1 oak wood



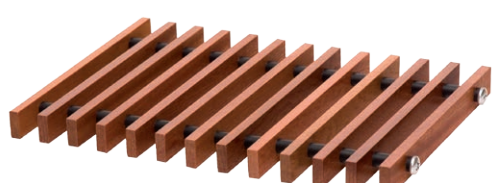
114W2 ash wood



114W3 walnut wood



114W4 mahogany wood



■ Water side control

01 Thermostat valve R1/2" ali R3/4", straight



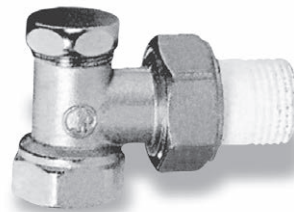
02 Thermostat valve R1/2" or R3/4", angular



03 Radiator shut-off cock R1/2" ali R3/4", straight



04 Radiator shut-off cock R1/2" or R3/4", angular



VP2 Two-way valve with ET actuators ON-OFF (2-pipe set)



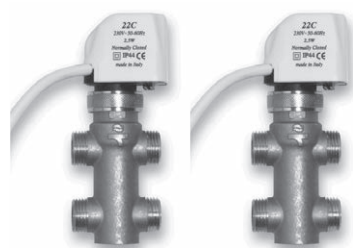
VP4 Two-way valve with ET actuators ON-OFF (4-pipe set)



VT2 Three way valve with ET actuator ON-OFF (2-pipe set)



VT4 Three way valve with ET actuator ON-OFF (4-pipe set)



Notes:

- valve size (R1/2", R3/4") depends on the size of heat exchanger connector size (not necessary to state),
- manual valves 01-04 are only supplied with the convector but not installed, sets of two- and three-way valves are installed,
- sets of three-way valves VT2 and VT4 require more space for installation, possibility of installation should be confirmed by the producer before an order.

■ Air side control

T01 Room thermostat

- for 2-pipe systems
- wall installation
- room temperature setup
- manual speed selection
- manual regime (heating – cooling) selection



T02 Electronic LCD room thermostat (touch screen)

- for 2-pipe systems
- semi-flush installation into the enclosed electrical socket
- setup and display of room temperature
- manual or auto speed selection
- manual regime (heating – cooling) selection



T13 Room thermostat

- for 4-pipe systems
- wall installation
- room temperature setup
- manual speed selection
- automatic regime (heating – cooling) switching



T12 Electronic LCD room thermostat

- for 2-pipe and 4-pipe systems
- semi-flush installation into standard electrical socket $\Phi 60$ mm (not enclosed)
- setup and display of room temperature
- manual or auto speed selection
- automatic regime (heating – cooling) selection
- possibility to connect an external temperature sensor



T20 Electronic LCD room thermostat for continuous control of AC or EC fans

- for 2-pipe and 4-pipe systems
- wall installation
- display of room temperature, set room temperature and parameters
- manual 3-step (MIN-MED-MAX) or continuous (2-10 Vdc) fan speed regulation
- manual regime selection (heating – cooling – auto)



AT45 Avtotransformer AT45 is designed for 3-step speed control of 1 to max. 6 fans type 45 installed in TKV-13 or TKH-13 floor convectors.



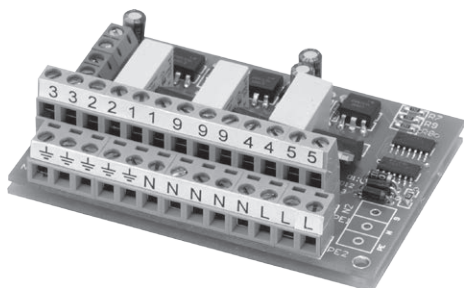
AT60 Avtotransformer AT60 is designed for 3-step speed control of 1 to max. 6 fans type 60 installed in TKH-13 floor convectors.



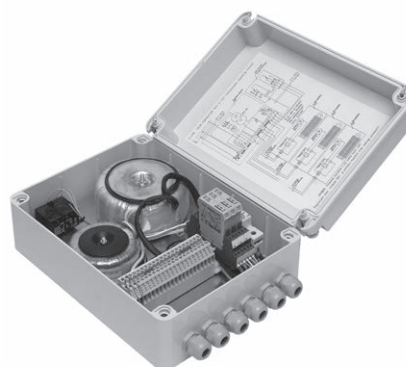
RV Relay interface is designed to attach autotransformer AT45 or AT60 in 2- or 4-pipe models of TKV-13 or TKH-13 floor convectors:

- connection to a room thermostat to control several groups of floor convectors connected to one room thermostat (more than 6 fans in a group)
- connection to a room thermostat or BMS with 3-step (MIN-MED-MAX) outputs 230 Vac output for fan speed

In case when 6 or less ventilators are controlled with a single T01 room thermostat, RV is not needed.



09S This fan speed controller for the TKV-S-13 is used for 3-step regulation of 12V fans, mounted into the TKV-S-13, in connection with the T01 thermostat. We can connect max. 6 fans to one 09S.



SC 1 Controller for continuous control of max. 6 AC fans:

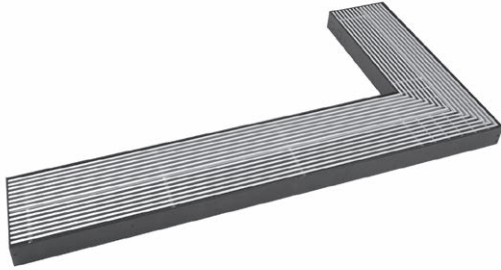
- connection to room thermostat T20
- connection to CNS with 2-10 V output for fan speed control



Note: Floor convectors with EC fans and control are available upon request only.

■ **Other**

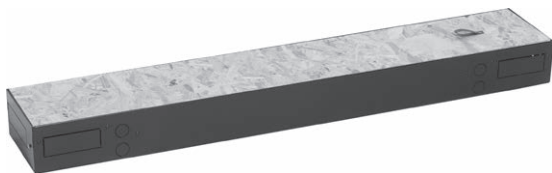
010(xx°) Corner design of convector and grille according to drawing



017 Housing thermal insulation

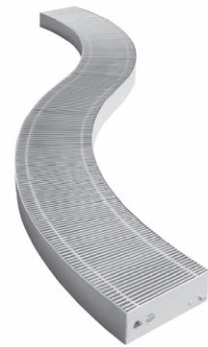


018 Wooden protection cover

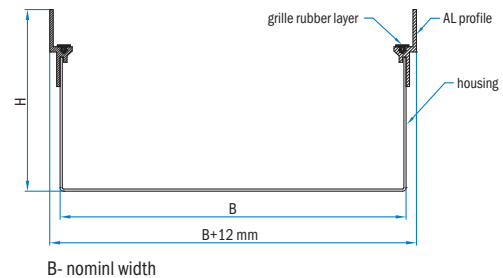
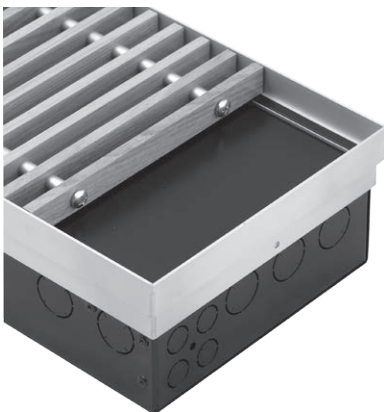


020(Rxxxx) Round shaped convector and grille:

- according to drawing
- TK-13 and TKV-13 models
- roll-up grille only



021 Aluminium frame



Note:

when ordering accessory 021, length and width of housing increase for 12 mm. According to this, the length and width of the grille change also.

028 Level adjusting legs

- Leveling height (distance to the bottom of floor convector) is 20–70 mm.
- Installation possible in models of 105 and 140 mm height only.
- different project solutions upon request



029 Level adjusting and support legs

- recommended for installation into false floor
- set with reinforced housing bracket
- available upon request



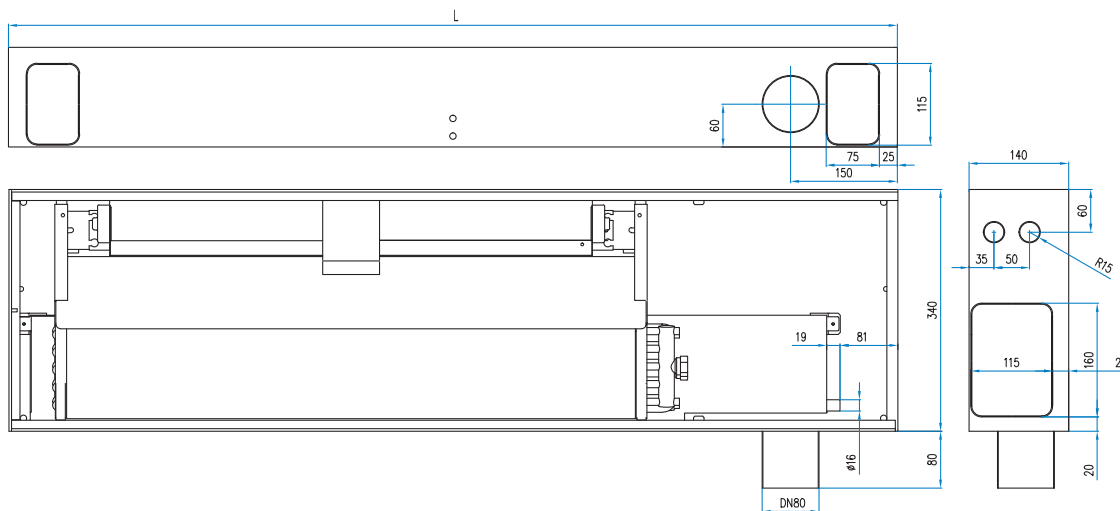
Connection for fresh air supply

032 Connection for fresh air supply, size DN 80, without damper. Installation on TK-13, TKV-13 and TKH-13 models, with 140 mm height. Max. air flow rates up to 80 m³/h per connection. Different project solutions possible.

033 Connection for fresh air supply with damper, size DN 80. Installation on TK-13, TKV-13 and TKH-13 models, with 140 mm height. Max. air flow rates up to 80 m³/h per connection. Available upon request only.



Example: TKH-13 125x34x14/D/2C/45/032



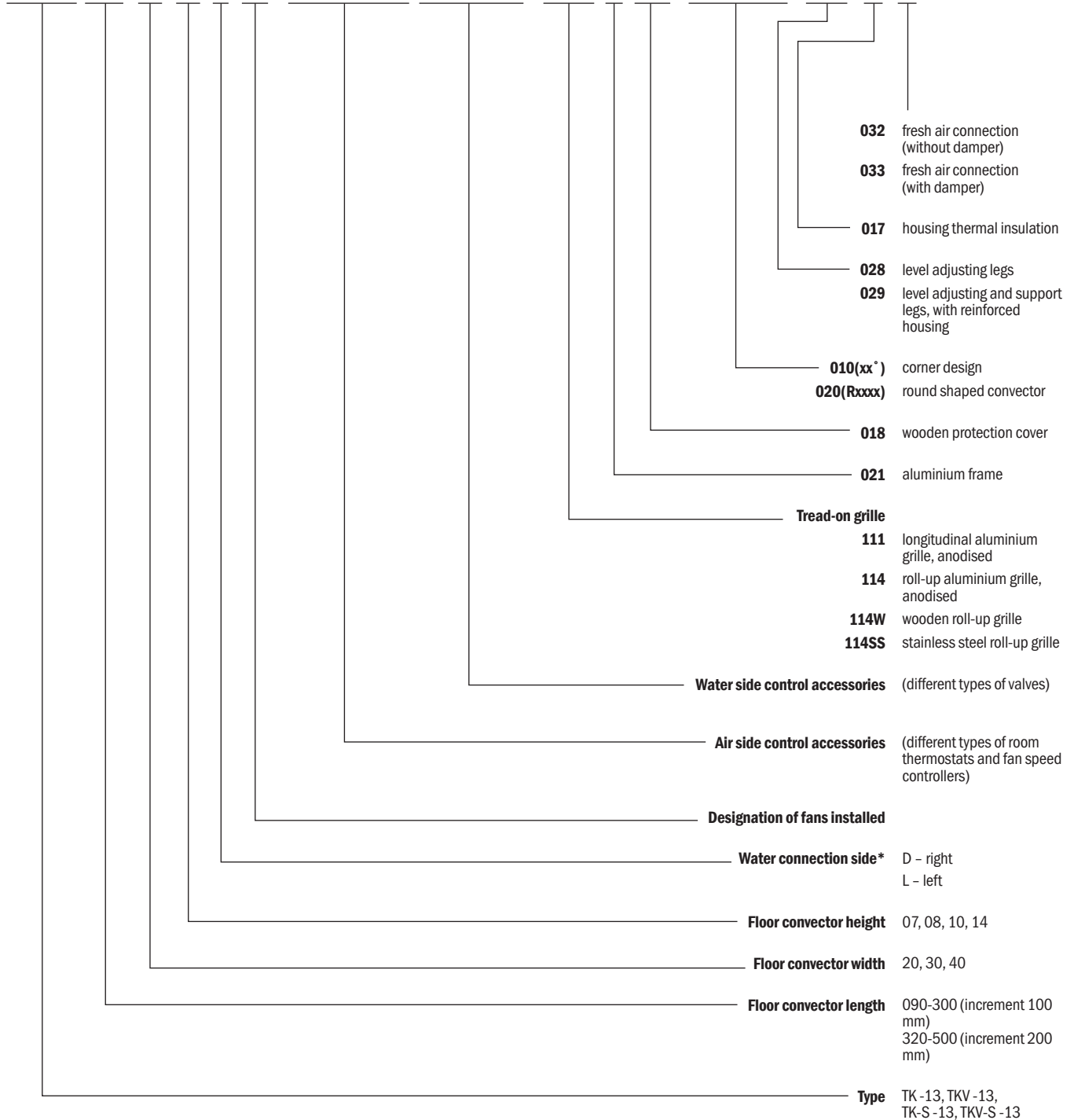
Custom - made convectors

Special versions of floor convectors with non-standard dimensions and technical characteristics can be produced on customer's request and specifications.

Ordering key

Ordering key for TK-13, TKV-13, TK-S-13, TKV-S-13 floor convector types:

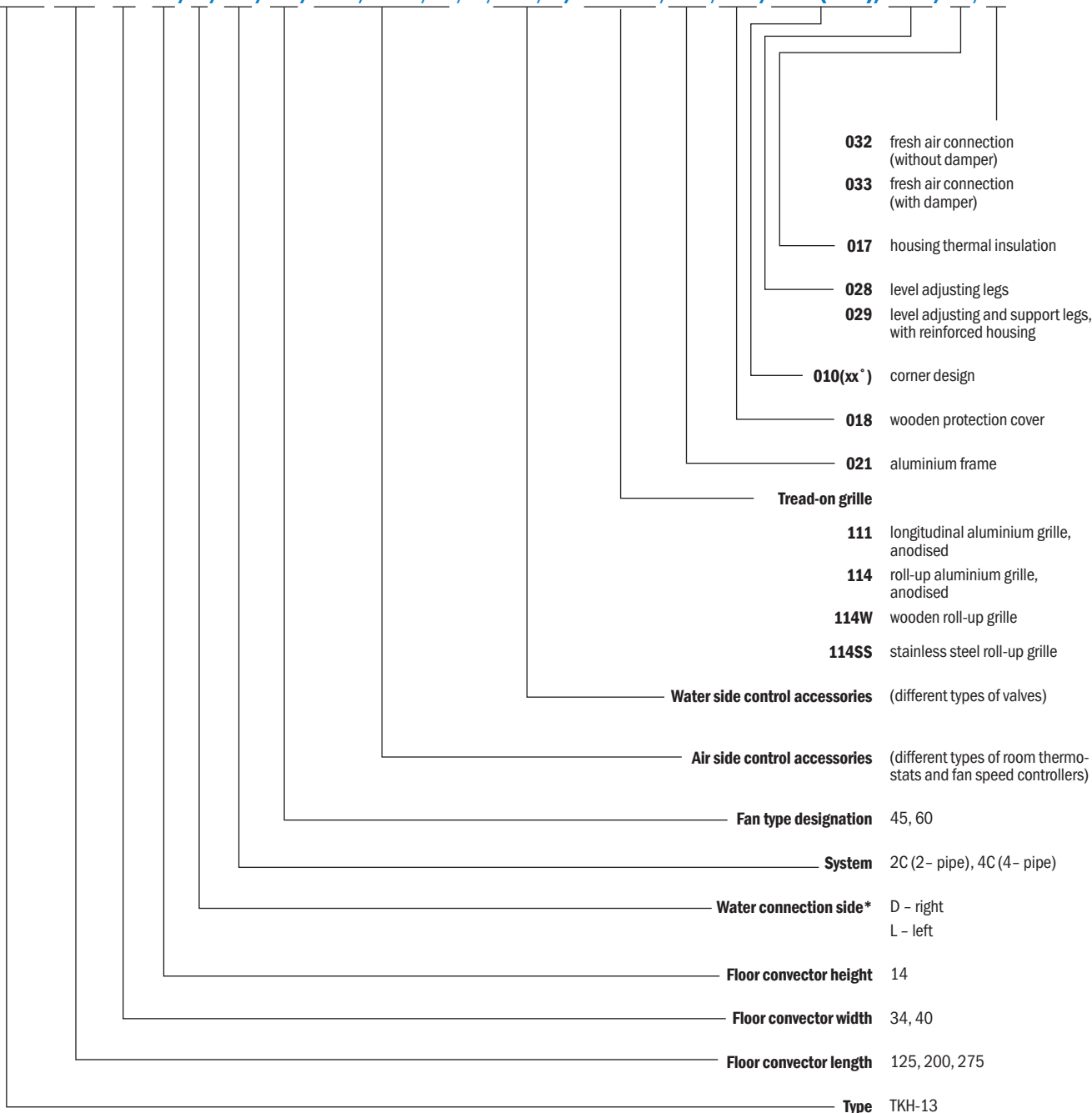
TKV-13 250x30x10/L/23/T01,AT45,...,VP2,01,03/114D,...,018/020(Rxxxx)/028/...,...



*Designation L (left) and D (right) indicate the side water connections, whereby it is necessary to look at the convector from the room towards the window.

Ordering key for TKH-13 floor convector types:

TKH-13 125x34x14/D/2C/45/T12,AT60,RV,....,VP4,..../114W3,021,018/010(xx°)/028/, ...



*Designation L (left) and D (right) indicate the side water connections, whereby it is necessary to look at the convector from the room towards the window.



Lindab IMP Klima d.o.o.

Godovič 150
5275 Godovič
Slovenia

T: +386 5 374 30 00

F: +386 5 374 30 82

E: imp-klima@lindab.com

www.lindab.si